

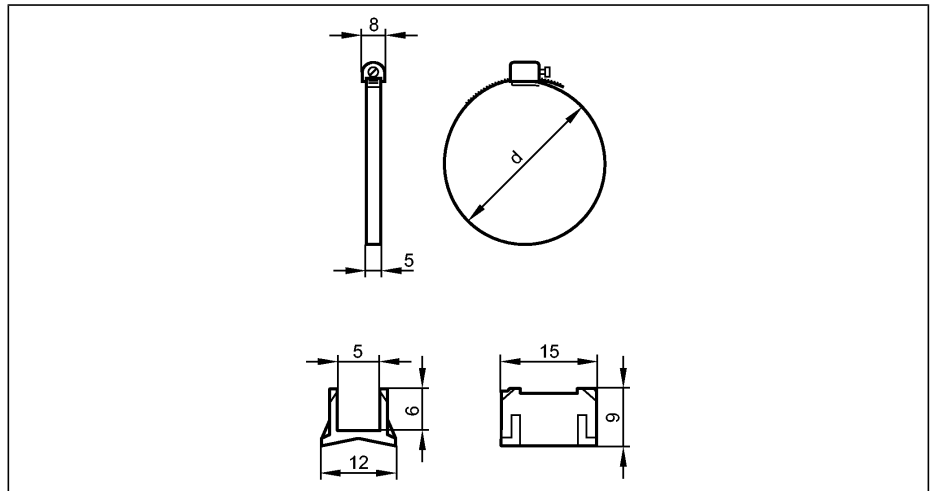
Accessories

E11816

Fixing strap for clean-line cylinders

Ø 8...12 mm

Piston diameter



Made in Germany

| | |
|------------------------|---|
| Design | for types MKT |
| Piston diameter [mm] | 8...12 |
| Clamping range d [mm] | 11...19 |
| Housing materials | adapter: PA (polyamide); Fixing strap: stainless steel (303S22) |
| Weight [kg] | 0.006 |
| Accessories (included) | adapter for types MKT |