

PSI-MODEM-SMS-REL/6ADI/4DO/DC

Order No.: 2313520



SMS remote control and signaling system for mounting on EN DIN rail. Installation built-in device as per DIN 43880. 6 analog or digital configurable inputs and 4 relay outputs. Supply voltage 24 V DC. Scope of supply: SMS relay, antenna, software, RS-232 cable.

Commercial data	
EAN	4046356466127
Pack	1 pcs.
Customs tariff	85176200
Weight/Piece	0.5414 KG
Catalog page information	Page 146 (IF-2009)

<http://www.download.phoenixcontact.com>
Please note that the data given here has been taken from the online catalog. For comprehensive information and data, please refer to the user documentation. The General Terms and Conditions of Use apply to Internet downloads.

Technical data	
Radio interface	
Interface description	GSM
Frequency	850 MHz (2 W (EGSM))
	900 MHz (2 W (EGSM))
	1800 MHz (1 W (EGSM))
	1900 MHz (1 W (EGSM))
Antenna	50 Ω impedance SMA antenna socket
Switching output ODL	
Contact type	Single contact, 4x1 PDT contact

Name	Relay outputs
Minimum switching voltage	12 V AC/DC
Maximum switching voltage	250 V AC/DC
Limiting continuous current	10 A

Power supply

Range of supply voltages	12 V DC ... 48 V DC
Typical current consumption	15 mA (for 24 V DC)

General data

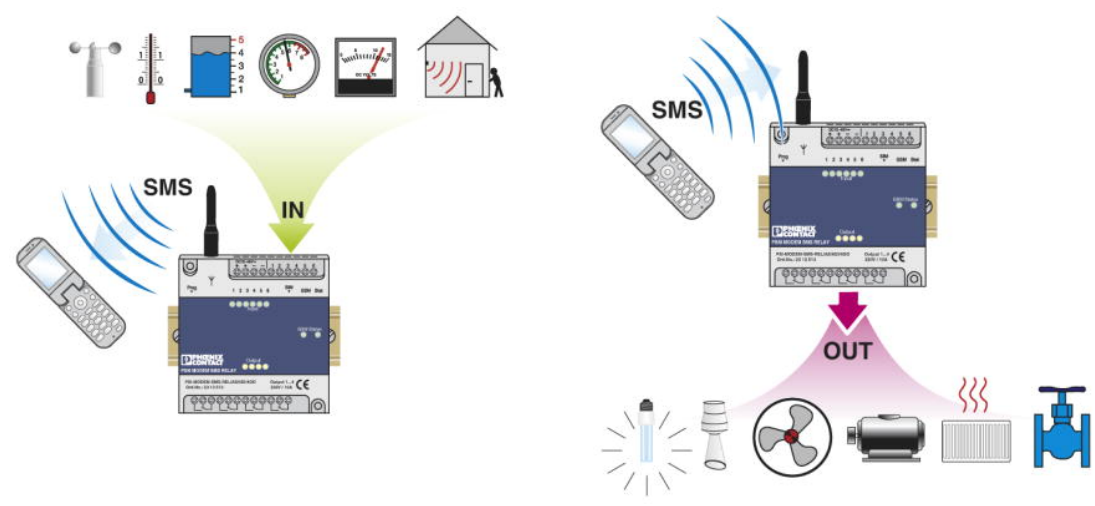
Width	88 mm
Height	60 mm
Depth	90 mm
Ambient temperature (storage/transport)	-40 °C ... 85 °C
Ambient temperature (operation)	-25 °C ... 55 °C
Electromagnetic compatibility	Conformance with R&TTE directive 1999/5/EEC
Color	white

Accessories

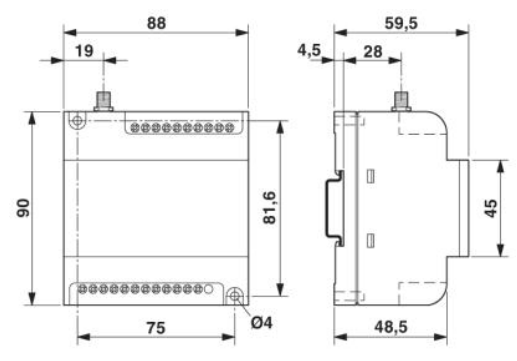
Item	Designation	Description
Antennas		
2313135	PSI-GSM-QB-ANT	GSM Quadband antenna, with omnidirectional characteristic, 2 m antenna cable with SMA round connector
Cable/conductor		
2881078	CM-KBL-RS232/USB	Connecting cable D-9-SUB to USB, with adapter D-9-SUB to D-25-SUB.

Drawings

Application drawing



Dimensioned drawing



Address

PHOENIX CONTACT GmbH & Co. KG
Flachmarktstr. 8
32825 Blomberg, Germany
Phone +49 5235 3 00
Fax +49 5235 3 41200
<http://www.phoenixcontact.com>



© 2010 Phoenix Contact
Technical modifications reserved;