

CUSTOMER PRINT

PART NUMBER: SF6X82-XPG-520

NOTES:

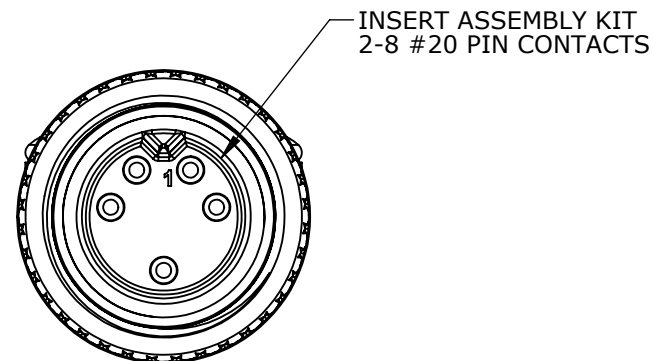
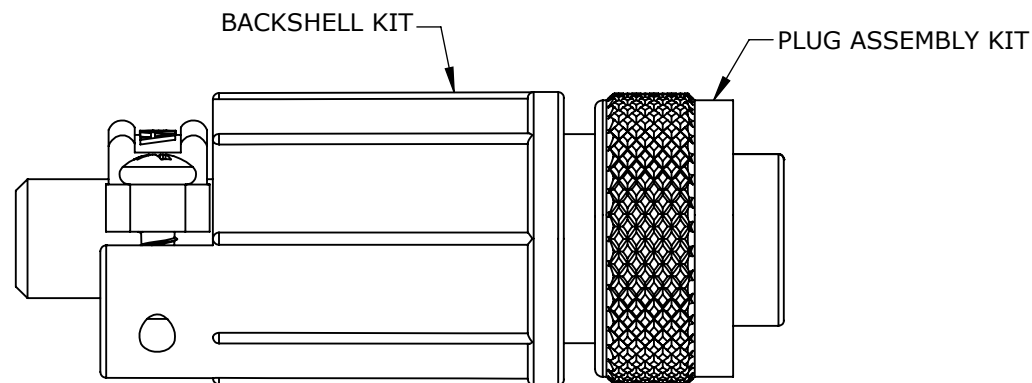
1. ALL PARTS ARE TO BE PLACED IN 5 IN. X 7 IN. POLY BAG WITH INSTRUCTION SHEET.
2. LABEL TO BE MARKED WITH PART NUMBER AND DATE CODE.

CABLE END WITH PIN CONTACTS PART NUMBERS:

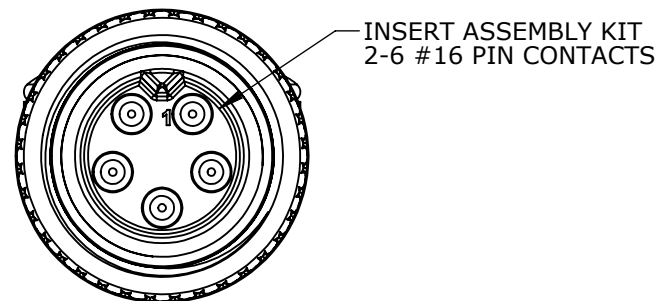
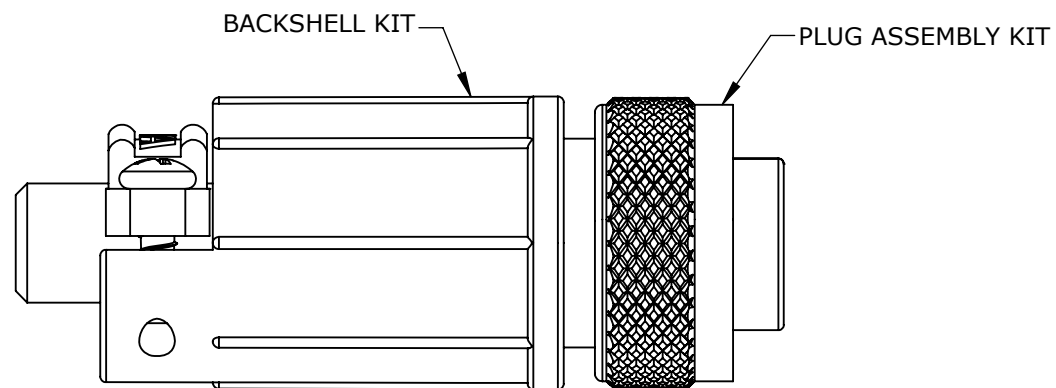
S F 6 X 8 2 - X P G - 5 2 0

OF CONTACTS
2-8 FOR #20 PINS
2-6 FOR #16 PINS

CONTACT SIZE
2- #20 PINS
3- #16 PINS




CABLE END SF6282-5PG-520, (5) #20 PINS SHOWN



CABLE END SF6382-5PG-520, (5) #16 PINS SHOWN

CUSTOMER APPROVAL	
THIS DOCUMENT CONTAINS CONFIDENTIAL INFORMATION PROPRIETARY TO CONXALL CORPORATION. ANY REPRODUCTION, DISCLOSURE, OR USE OF THIS DOCUMENT /INFORMATION IS EXPRESSLY PROHIBITED UNLESS AUTHORIZED IN WRITING BY CONXALL CORPORATION.	
APPROVED BY: _____	
DATE: _____	

A	BZ	07-21-09	DRAWING CREATED PER DOR 09-E149SL	
REV.	INIT.	DATE	DESCRIPTION	
			ORIG. DRAWN BY: BZ	DATE: 07-21-09
<small>ALL INFORMATION ILLUSTRATED IS THE PROPERTY OF "CONXALL CORPORATION". UNAUTHORIZED DUPLICATION OR DISTRIBUTION OF THIS DOCUMENT IS PROHIBITED.</small> <small>ALL UNITS ARE IN FEET, INCHES, FRACTION OF INCHES AND DECIMALS.</small>			 601 E. WILDWOOD VILLA PARK, IL 60181	
			TITLE: CABLE END ASSEMBLY #16 & #20 PIN CONTACTS SHIELDED MINI-CON-X STANDARD PRODUCT CUSTOMER:	
SCALE: NTS		SIZE: B	SHEET: 1 OF 1	
FILE: SF6X82-XPG-520	DIRECTORY: SLW	PART NUMBER: SF6X82-XPG-520	REV: A	