

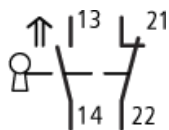
Type: **AT0-11-1-ZB**  
 Article No.: **029335**



### Ordering information

Contacts M = Make			1 M
Contacts B = Break			1 B

### Contact sequence



### Notes concerning the table header

Contacts

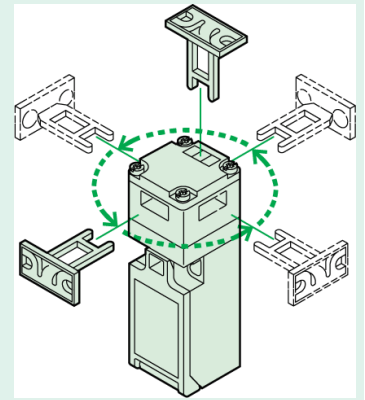
M = Make

B = Break

⊕ = Safety function by positive opening of contacts to IEC/EN 60 94751

### Notes concerning the product group

Elektrische Verschaltung mit Schützen DIL und Sicherheitsrelais ESR4  
 → Sicherheitshandbuch TB0-009, Bestell-Nr. 082309



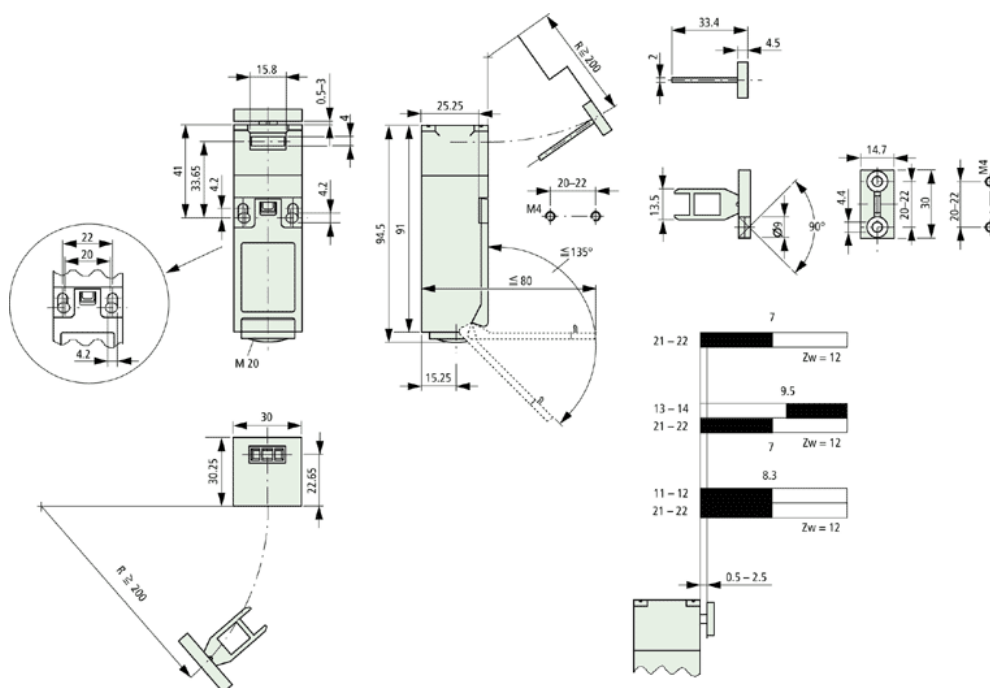
## Notes concerning the product group

With the actuator inserted, the make contact is open and the break contact is closed.

General			
Standards			IEC/EN 60 947
Climatic proofing			Damp heat, constant, to IEC 60068-2-78, Damp heat, cyclic, to IEC 60068-2-30
Ambient temperature		°C	-25/+70
Mounting position			As required
Protection type			IP 65
Terminal capacities			
Solid		mm <sup>2</sup>	1 × (0.75 – 2.5) 2 × (0.75 – 1.5)
Flexible with ferrule		mm <sup>2</sup>	1 × (0.5 – 1.5) 2 × (0.5 – 1.5)
Contacts/switching capacity			
Rated impulse withstand voltage	$U_{imp}$	V AC	6000
Rated insulation voltage	$U_i$	V	500
Overvoltage category/pollution degree			III/3
Rated operational current			
AC-15			
24 V	$I_e$	A	10
230 V/240 V	$I_e$	A	6
400 V/415 V	$I_e$	A	4
DV-13			
24 V	$I_e$	A	10
110 V	$I_e$	A	1
220 V	$I_e$	A	0,5
Supply frequency		Hz	max. 400
Short-circuit rating in the closed state (IEC/EN 60947-5-1)			
Fuseless		Type	PKZM0-10 FAZ-B6/1
max. fuse		A gG/gL	10
Short-circuit rating to IEC/EN 60947-5-1			

max. fuse		A gG/gL	6
Repetition accuracy		mm	0,02
<b>Mechanical variables</b>			
Lifespan			
Standard-action contact	Operations	$\times 10^6$	10
Contact temperature of roller head		$^{\circ}\text{C}$	f 0
Mechanical shock resistance (half-sinusoidal shock, 20 ms)			
Standard-action contact		g	25
Operating frequency	Operations/h		f 1800
<b>Actuation</b>			
Mechanical			
Actuating force at beginning/end of stroke			
ZB/ZBZ (push in/pull out)		N	10/5
<b>Dimensions</b>			
			Switch must not be used as a mechanical stop

## Dimensions



Type: **AT0-02-1-ZB**  
Article No.: **063970**

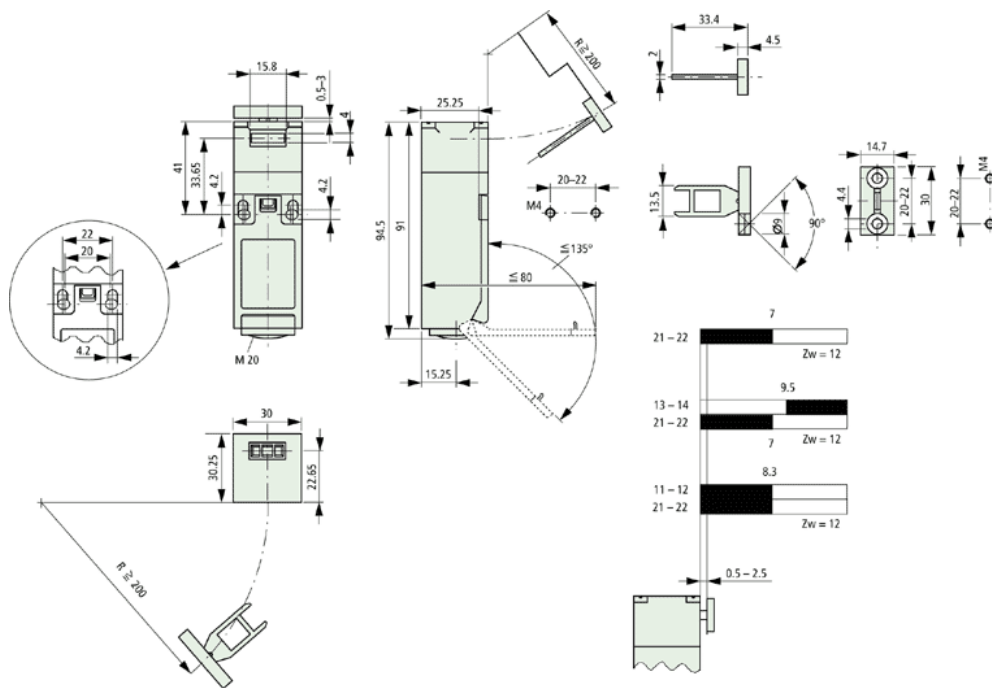


### Ordering information

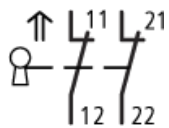
Contacts B = Break

2 B

### Dimensions



### Contact sequence



### Notes concerning the table header

Contacts

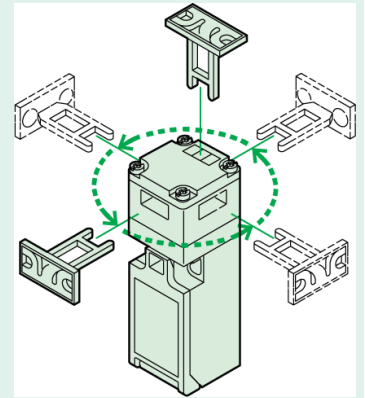
M = Make

B = Break

⊕ = Safety function by positive opening of contacts to IEC/EN 60 94751

## Notes concerning the product group

Elektrische Verschaltung mit Schützen DIL und Sicherheitsrelais ESR4  
→ Sicherheitshandbuch TB0-009, Bestell-Nr. 082309



## Notes concerning the product group

With the actuator inserted, the make contact is open and the break contact is closed.

General			
Standards			IEC/EN 60 947
Climatic proofing			Damp heat, constant, to IEC 60068-2-78, Damp heat, cyclic, to IEC 60068-2-30
Ambient temperature		°C	-25/+70
Mounting position			As required
Protection type			IP 65
Terminal capacities			
Solid		mm <sup>2</sup>	1 × (0.75 – 2.5) 2 × (0.75 – 1.5)
Flexible with ferrule		mm <sup>2</sup>	1 × (0.5 – 1.5) 2 × (0.5 – 1.5)
Contacts/switching capacity			
Rated impulse withstand voltage	$U_{imp}$	V AC	6000
Rated insulation voltage	$U_i$	V	500
Overvoltage category/pollution degree			III/3
Rated operational current			
AC-15			
24 V	$I_e$	A	10
230 V/240 V	$I_e$	A	6
400 V/415 V	$I_e$	A	4
DV-13			
24 V	$I_e$	A	10
110 V	$I_e$	A	1

220 V	$I_e$	A	0,5
Supply frequency		Hz	max. 400
Short-circuit rating in the closed state (IEC/EN 60947-5-1)			
Fuseless		Type	PKZM0-10 FAZ-B6/1
max. fuse		A gG/gL	10
Short-circuit rating to IEC/EN 60947-5-1			
max. fuse		A gG/gL	6
Repetition accuracy		mm	0,02

### Mechanical variables

Lifespan			
Standard-action contact	Operations	$\times 10^6$	10
Contact temperature of roller head		$^{\circ}\text{C}$	f 0
Mechanical shock resistance (half-sinusoidal shock, 20 ms)			
Standard-action contact		g	25
Operating frequency	Operations/h		f 1800

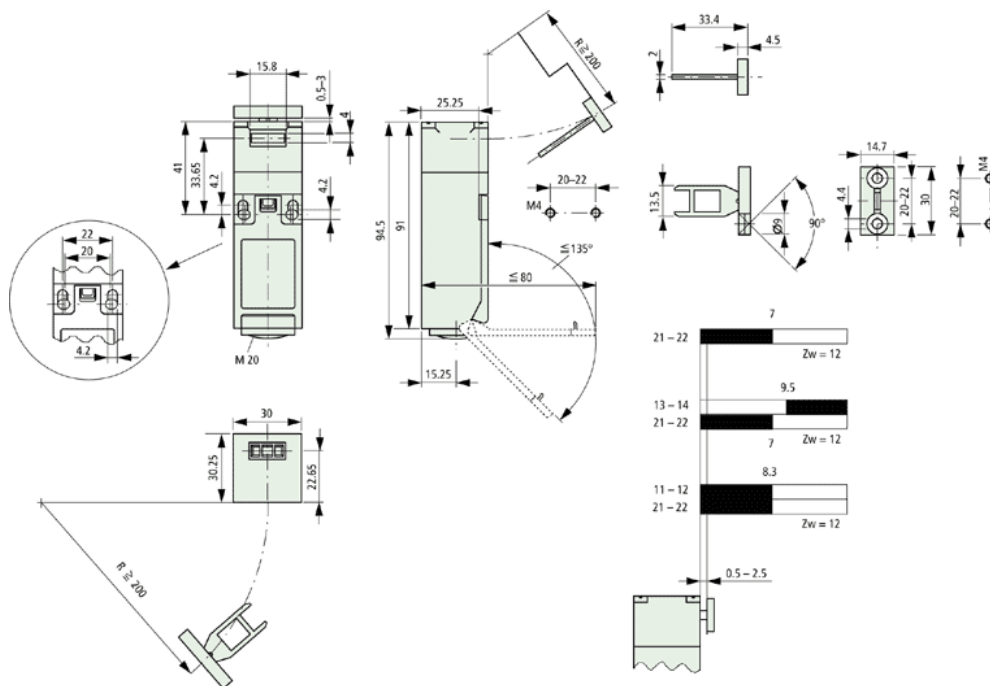
### Actuation

Mechanical			
Actuating force at beginning/end of stroke			
ZB/ZBZ (push in/pull out)		N	10/5

### Dimensions

			Switch must not be used as a mechanical stop
--	--	--	--

## Dimensions



Moeller GmbH, Hein-Moeller-Str. 7-11, D-53115 Bonn  
E-Mail: [catalog@moeller.net](mailto:catalog@moeller.net), Internet: [www.moeller.net](http://www.moeller.net), <http://catalog.moeller.net>

