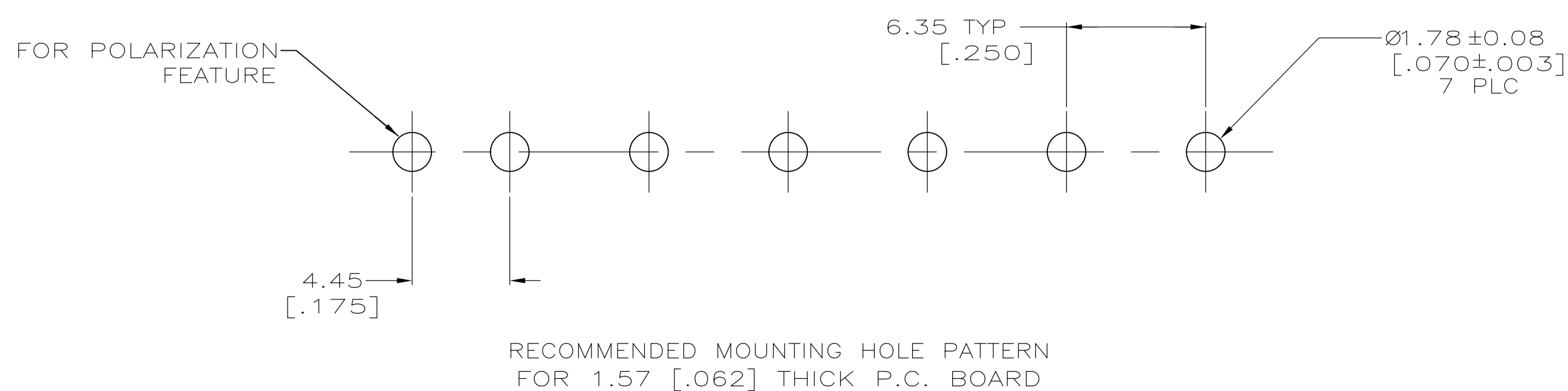
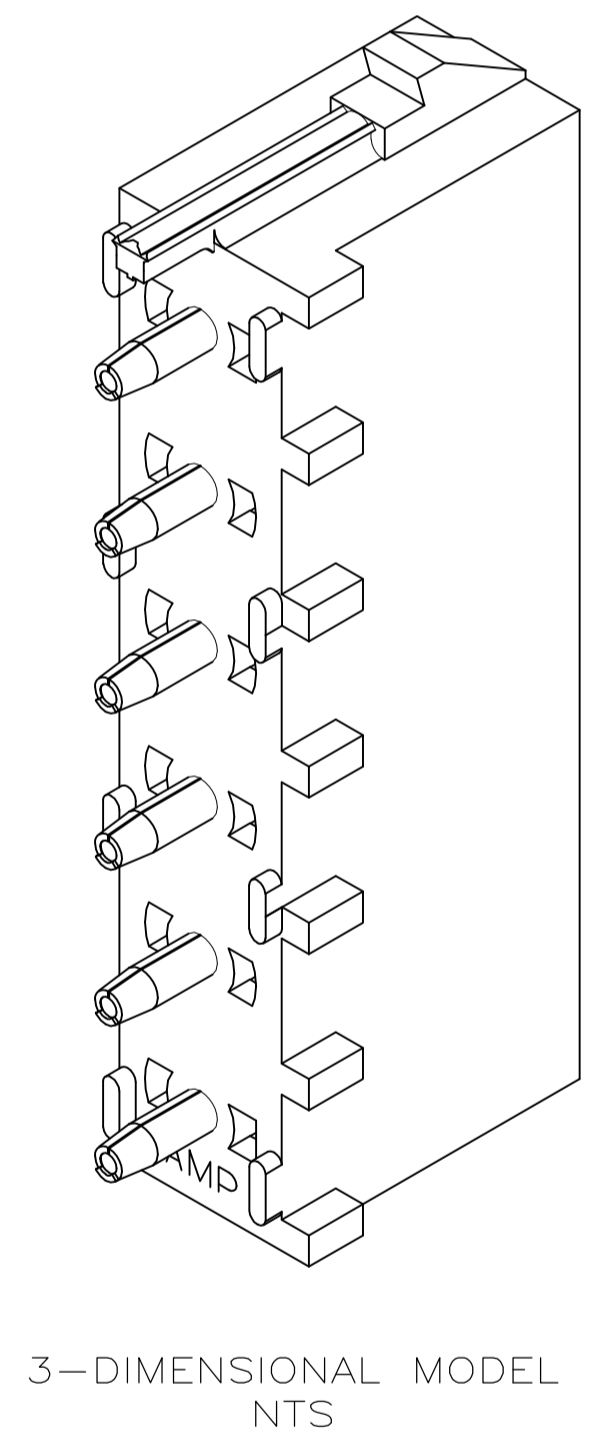
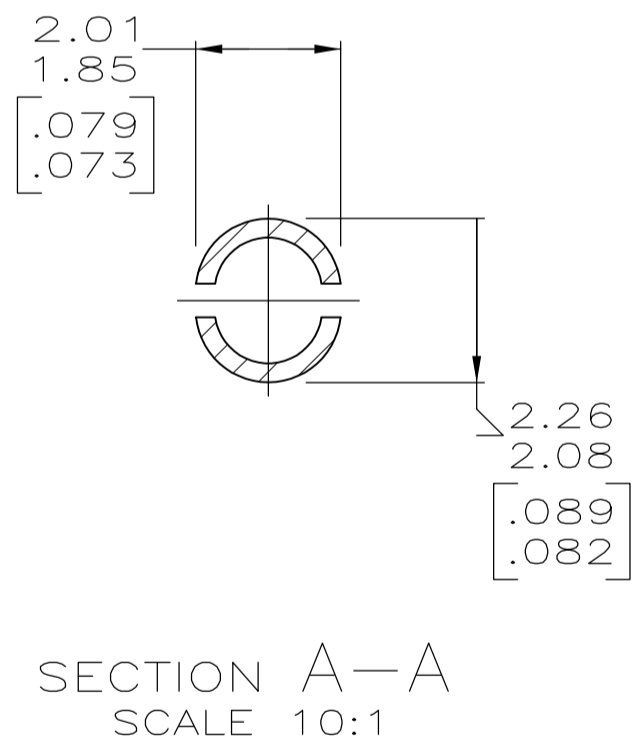
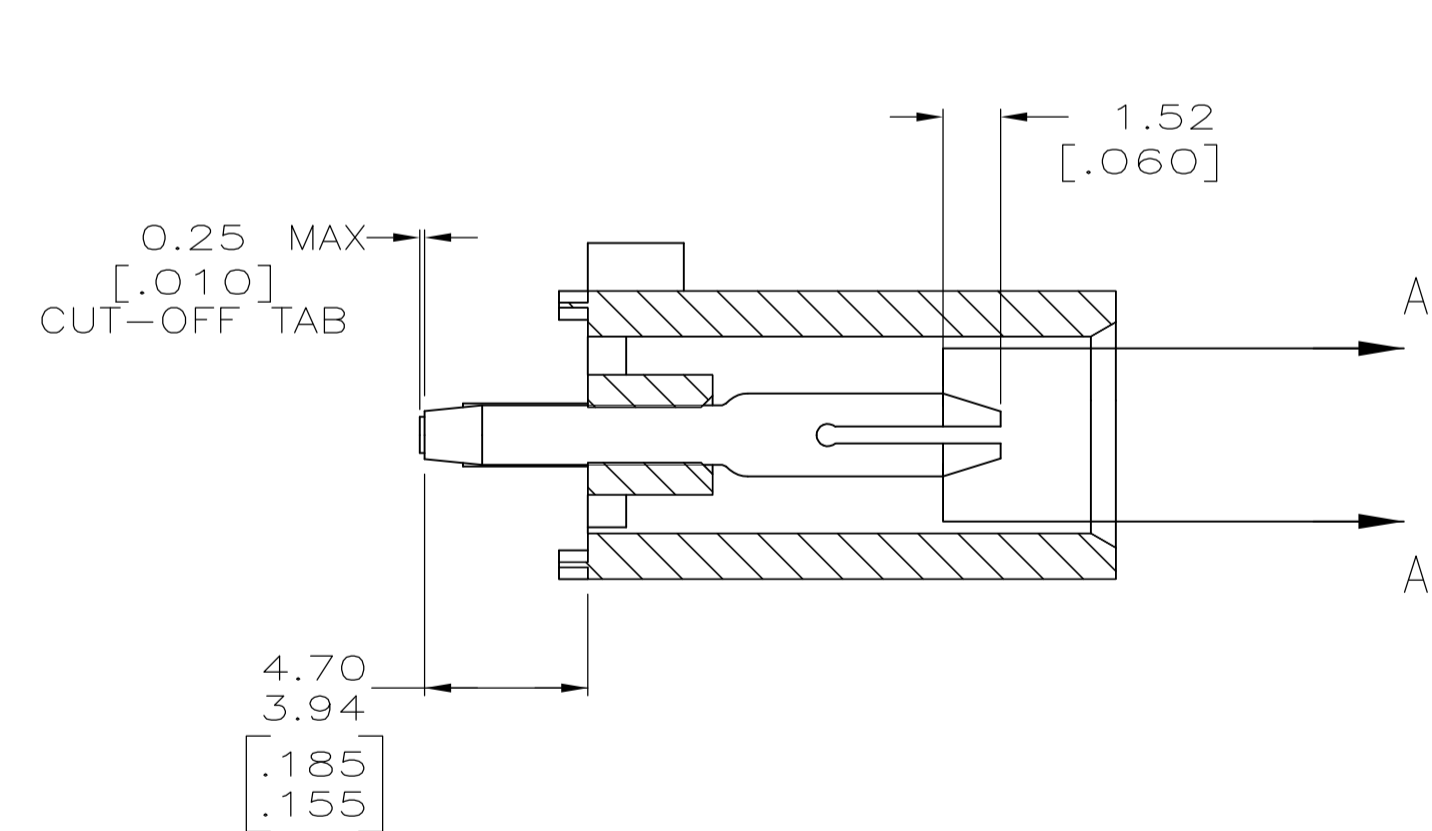


1. PARTS COMPLY TO AMP SOLDERABILITY SPECIFICATION 109-11-3.
- △ CIRCUIT IDENTIFICATION CHARACTERS ARE ADJACENT TO THE INDICATED CAVITIES, BUT LOCATION AND ORIENTATION MAY DIFFER FROM PRINT.
3. DIMENSIONS IN BRACKETS ARE IN INCHES.
- △ IDENTIFICATION WILL APPEAR AT CIRCUIT NO. 1, OTHERS OPTIONAL.
- △ 0.76 MICRO-METERS [30 MICRO-INCHES] MINIMUM GOLD
- △ PRELIMINARY - NOT FOR PRODUCTION



PHOSPHOR BRONZE, GOLD △5	NYLON, UL94V-0, WHITE	△6 643408-3
PHOSPHOR BRONZE, PRE-TIN	NYLON, UL94V-0, WHITE	643408-1
PIN CONTACT MATL AND FINISH	HOUSING MATERIAL	PART NO.
THIS DRAWING IS A CONTROLLED DOCUMENT.		
DIMENSIONS: mm [INCHES]	TOLERANCES UNLESS OTHERWISE SPECIFIED:	APPROVED: K. COBLE
0 PLC ± -	1 PLC ± -	NAME: Tyco Electronics Corporation
2 PLC ± 0.13 [.005]	3 PLC ± -	Harrisburg, PA 17105-3608
4 PLC ± -	ANGLES ± -	APPLICATION SPEC: PIN HEADER ASSEMBLY, POLARIZED, 6 CIRCUIT UNIVERSAL MATE-N-LOK
MATERIAL: SEE TABLE	FINISH: SEE TABLE	SIZE: A1
CUSTOMER DRAWING		SCALE: 5:1 SHEET 1 OF 1 REV M1