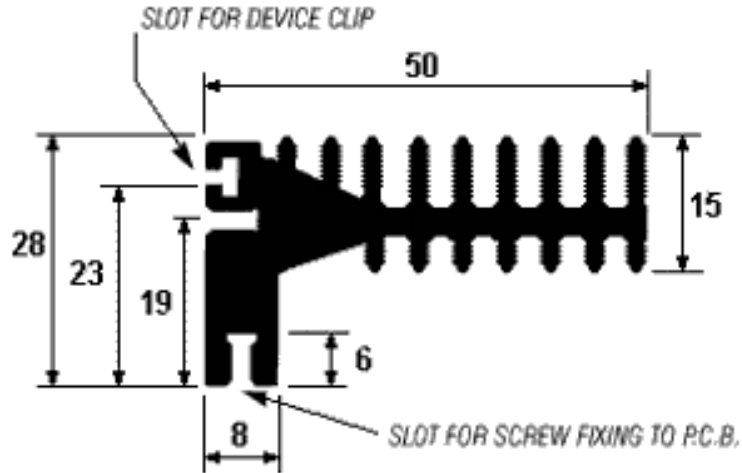




Telephone +44 (0) 121 789 8686
 Fax (Sales) +44 (0) 121 789 8778
 Fax (Admin) +44 (0) 121 789 9696

sales@ablcomponents.co.uk

PPN0750B



Length	Part Number Without Pins	Clip	Thermal Rating °C/W	Stock Category
50.0	PPN0500B	02	5.00	A
75.0	PPN0750B	02	3.70	A
100.0	PPN1000B	02	3.10	A
150.0	PPN1500B	02	2.30	A

Thermal Resistance is calculated based on a distributed heat load and vertically mounted fins anodised heatsink with a 60°C temperature. Under general operating conditions the thermal mounting arrangement of devices is not known and therefore the figures should be used only as a guide to selection. We recommend that the effectiveness of any heatsink is tested in the specific operating environment in which it will be subjected. Drawing above is for illustration purposes only. If any further information is required please contact us.