

Datasheet

## RS Pro Manual Ball Valve Stainless Steel 2 in BSPP

RS Stock No: **764-4278**



### Product Details

RS Pro stainless steel manual ball valve has a screwed end ball for flow control. This ball has 2 in BSPP thread size for external connection. It is available in various sizes.

### Features and Benefits

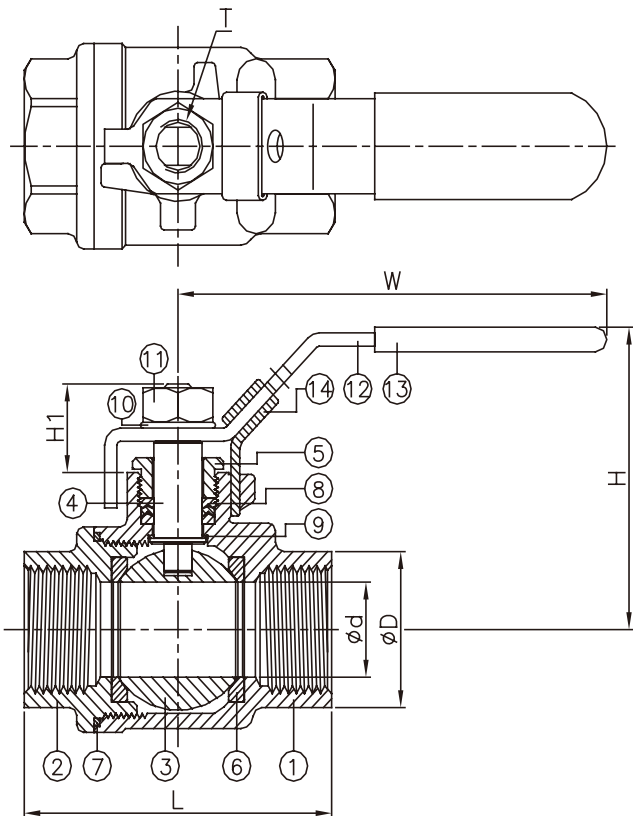
- Full port 1/4 to 3 Inch (DN8 to DN80)
- W.P: 1000 WOG (PN63)
- W.T: -20 to 200°C
- Blow-out proof stem
- Locking device
- Thread type: ASME B1.20.1 (NPT) DIN2999 and BS21 ISO7/1 and EN10226
- ISO 5211 mounting pad
- Investment casting
- Tapped and drilled mounting pad (option)
- TA-Luft approved (option)



ENGLISH

### Specifications:

|                             |                 |
|-----------------------------|-----------------|
| Attachment Type             | Threaded        |
| Ball Material               | Stainless Steel |
| Body Material               | Stainless Steel |
| Handle Colour               | Blue            |
| Handle Material             | Stainless Steel |
| Safe for Use With           | Gas, Oil, Water |
| Thread Standard             | BSPP            |
| Threaded Connection         | 2 in BSPP       |
| Type                        | Full Port       |
| Thread Size                 | 2 in            |
| Maximum Working Pressure    | 1000 psi        |
| Operating Temperature Range | -20 to +200°C   |



| ITEM | PARTS          | MATERIAL                     |
|------|----------------|------------------------------|
| 1    | BODY           | ASTM A351-CF8M ASTM A216-WCB |
| 2    | CAP            |                              |
| 3    | BALL           | ASTM A351-CF8M               |
| 4    | STEM           | ASTM A276-316                |
| 5    | GLAND          | AISI 304                     |
| 6    | SEAT           | PTFE / RTFE                  |
| 7    | SEAL           | PTFE                         |
| 8    | PACKING        |                              |
| 9    | THRUST WASHER  | AISI 304                     |
| 10   | SPRING WASHER  |                              |
| 11   | NUT            |                              |
| 12   | HANDLE         | PVC                          |
| 13   | HANDLE SLEEVE  |                              |
| 14   | LOCKING DEVICE | AISI 304                     |

| DN | d    | D    | L    | H    | H1   | T           | W   | Torque (N-m) | Weight (kg) |
|----|------|------|------|------|------|-------------|-----|--------------|-------------|
| 8  | 11.6 | 19   | 50.8 | 58.5 | 18   | 3/8"-24UNF  | 100 | 3.5          | 0.2         |
| 10 | 12.5 | 22.5 | 50.8 | 58.5 | 18   | 3/8"-24UNF  | 100 | 4            | 0.2         |
| 15 | 15   | 26   | 58   | 58.5 | 18.5 | 3/8"-24UNF  | 100 | 5.5          | 0.3         |
| 20 | 20   | 32   | 65.6 | 63.5 | 22.5 | 7/16"-20UNF | 125 | 7.5          | 0.5         |
| 25 | 25   | 38   | 78.7 | 78   | 25   | 7/16"-20UNF | 149 | 11           | 0.8         |
| 32 | 32   | 48   | 90   | 83   | 26   | 7/16"-20UNF | 149 | 15           | 1.1         |
| 40 | 38   | 54.8 | 105  | 102  | 30   | 1/2"-20UNF  | 190 | 20           | 1.8         |
| 50 | 50   | 67   | 124  | 108  | 30   | 1/2"-20UNF  | 190 | 40           | 2.7         |
| 65 | 63   | 85   | 146  | 138  | 40   | 3/4"-10UNF  | 250 | 60           | 5.6         |
| 80 | 76   | 100  | 164  | 146  | 40   | 3/4"-10UNF  | 250 | 85           | 7.5         |

unit:mm

| NPS    | d    | D    | L    | H    | H1   | T           | W    | Torque (in-lb) | Weight (lb) |
|--------|------|------|------|------|------|-------------|------|----------------|-------------|
| 1/4"   | 0.46 | 0.75 | 2    | 2.3  | 0.71 | 3/8"-24UNF  | 3.94 | 31             | 0.5         |
| 3/8"   | 0.49 | 0.89 | 2    | 2.3  | 0.71 | 3/8"-24UNF  | 3.94 | 35.4           | 0.5         |
| 1/2"   | 0.59 | 1.02 | 2.28 | 2.3  | 0.73 | 3/8"-24UNF  | 3.94 | 48.7           | 0.7         |
| 3/4"   | 0.79 | 1.26 | 2.58 | 2.5  | 0.89 | 7/16"-20UNF | 4.92 | 66.4           | 1           |
| 1"     | 0.98 | 1.5  | 3.1  | 3.07 | 0.98 | 7/16"-20UNF | 5.87 | 97.4           | 1.7         |
| 1-1/4" | 1.26 | 1.89 | 3.54 | 3.27 | 1.02 | 7/16"-20UNF | 5.87 | 132.8          | 2.5         |
| 1-1/2" | 1.5  | 2.16 | 4.13 | 4.02 | 1.18 | 1/2"-20UNF  | 7.48 | 177            | 3.9         |
| 2"     | 1.97 | 2.64 | 4.88 | 4.25 | 1.18 | 1/2"-20UNF  | 7.48 | 354            | 5.9         |
| 2-1/2" | 2.48 | 3.35 | 5.75 | 5.43 | 1.57 | 3/4"-10UNF  | 9.84 | 531            | 12.4        |
| 3"     | 2.99 | 3.94 | 6.46 | 5.75 | 1.57 | 3/4"-10UNF  | 9.84 | 752.3          | 16.5        |

unit:in

