

# SAB 32

## Shield-Connection Clip



**SAB 32**

*The new **SAB 32** shield-connection clips can be used for cables with diameters from **15 to 32 mm**.*

***CONTA-CLIP** now widens its product line even further to cover a wide range of products for the shield connection.*

In industrial process engineering, a high degree of interference immunity is required of electrical equipment. In the fields of measurement, regulation and control engineering, this is a significant contributor to the viability of industrial systems. When constructing low-interference systems, both the cable shielding and the associated shielded ground are very important. The point where the cable shielding connects to the housing ground is a critical junction. The connection should be low-ohm and should also feature minimal inductive resistance. You should be certain that this connection can be established in a practical, simple and quick manner. **CONTA-CLIP's SAB/SSAB** clip accomplishes all this with the help of its outstanding feature set.

An overview of the available variants:

### **Busbar mounting with the SAB**

The **SAB** can be mounted on a busbar. After connecting the wiring, the shield-connection clip is mounted by simply swivelling in the **SAB** clip onto the busbar. The force on the cable comes from a spring-pressure piece. This regulated pressure ensures a constant optimal contact.

### **Direct mounting SAB.../D**

The **SAB.../D** can be mounted directly. The force on the cable comes from a spring-pressure piece. This regulated pressure ensures a constant optimal contact. The **SAB.../D** can be installed with an **M4 screw** (included in delivery) directly to the mounting plate.

### **DIN rail installation SAB.../MF/35**

The **SAB.../MF/35** can be installed on a DIN rail. The **SAB.../MF/35** is snapped on directly via the internal-spring MF/35 foot without the need for tools. The force on the cable comes from a spring-pressure piece. This regulated pressure ensures a constant optimal contact with the DIN rail.

# The SAB shield-connection clip

- Quick snap-on or mounting of the shield-connection clip
- Different cable cross-sections can be accommodated by the elastic nature of the spring
- Easy to work with

The **SAB 32** shield-connection clip is suitable for standard cable shielding. It enables EMC-compliant wiring with its large surface area. It also has low-impedance and low-ohm contact junctions. They are ideal for wires with diameters ranging from 15 to 32 mm. The contacts can be established without the need for any special tool.

Simple mounting – large shielding surface – secure contact.

## SAB 32



Shield-connection clip  
Busbar mounting

## SAB 32/D



Shield-connection clip  
Direct mounting

## SAB 32/MF/35



Shield-connection clip  
Mounting on the DIN rail

### Connection type

Dimensions (L x W x H), mm

High foot, with TS 35 x 7.5 mm

### TYPE

Type colour

Cat. no.

### Technical data

Connection in compliance with standard

Material

### Connection data

Cable diameter, mm

Screw

### Accessories

Overlay block SH

Cat. no.

Busbar support SH SAB BG

Cat. no.

Busbar Ssch/MS

Cat. no.

Busbar Ssch/CU

Cat. no.

End stop ES

Cat. no.

ZB without cap

Cat. no.

ZB cap GNYE

Cat. no.

Mounting screw BS, for the SH 1 BG

Cat. no.

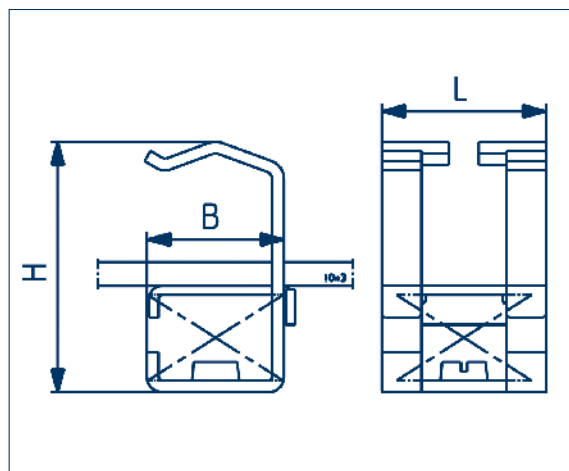
Mounting screw BS, for 2 x SH 1 BG

Cat. no.

Mounting foot

Cat. no.

### Dimensions



### Spring force

32 x 36 x 64

-

Qty.

SAB 32

17360.0

10

IEC/EN

Steel

15 - 32

-

Qty.

SH 1 BG

2318.2

20

SH SAB BG

1530.2

10

Ssch 10x3 MS

2128.0

1m

Ssch 10x3 CU

2129.0

1m

ES 35/K/ST BG

2828.0

50

ZB 4

2138.0

50

ZB 4/K GNYE

2483.1

50

BS M 4x8

2262.0

50

BS M 4x30

2123.0

50

### Spring force

32 x 36 x 64

-

Qty.

SAB 32/D

17361.0

10

IEC/EN

Steel

15 - 32

M4

Qty.

SH 1 BG

2318.2

20

SH SAB BG

1530.2

10

Ssch 10x3 MS

2128.0

1m

Ssch 10x3 CU

2129.0

1m

ES 35/K/ST BG

2828.0

50

ZB 4

2138.0

50

ZB 4/K GNYE

2483.1

50

BS M 4x8

2262.0

50

BS M 4x30

2123.0

50

### Spring force

32 x 36 x 64

9.5

Qty.

SAB 32/MF/35

17363.0

10

IEC/EN

Steel

15 - 32

-

Qty.

SH 1 BG

2318.2

20

SH SAB BG

1530.2

10

Ssch 10x3 MS

2128.0

1m

Ssch 10x3 CU

2129.0

1m

ES 35/K/ST BG

2828.0

50

ZB 4

2138.0

50

ZB 4/K GNYE

2483.1

50

BS M 4x8

2262.0

50

BS M 4x30

2123.0

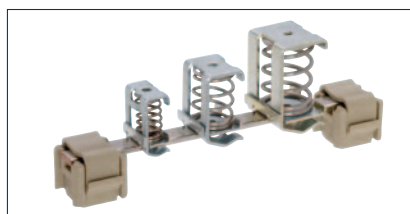
50

MF 35

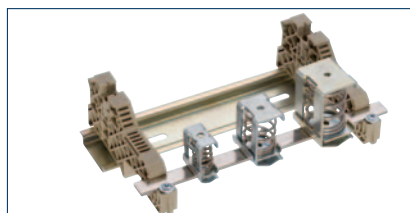
2606.0

20

### Busbar mounting

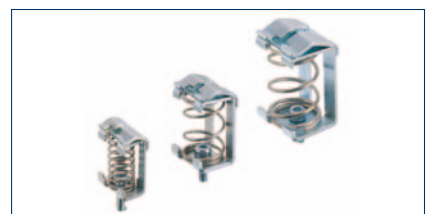


An SAB application with the SH1

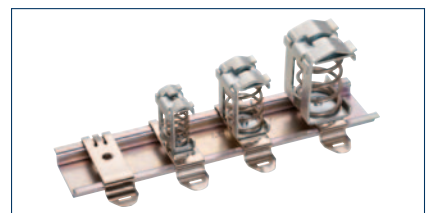


An SAB application with SH SAB

### Direct mounting



SAB.../D



SAB.../MF/35