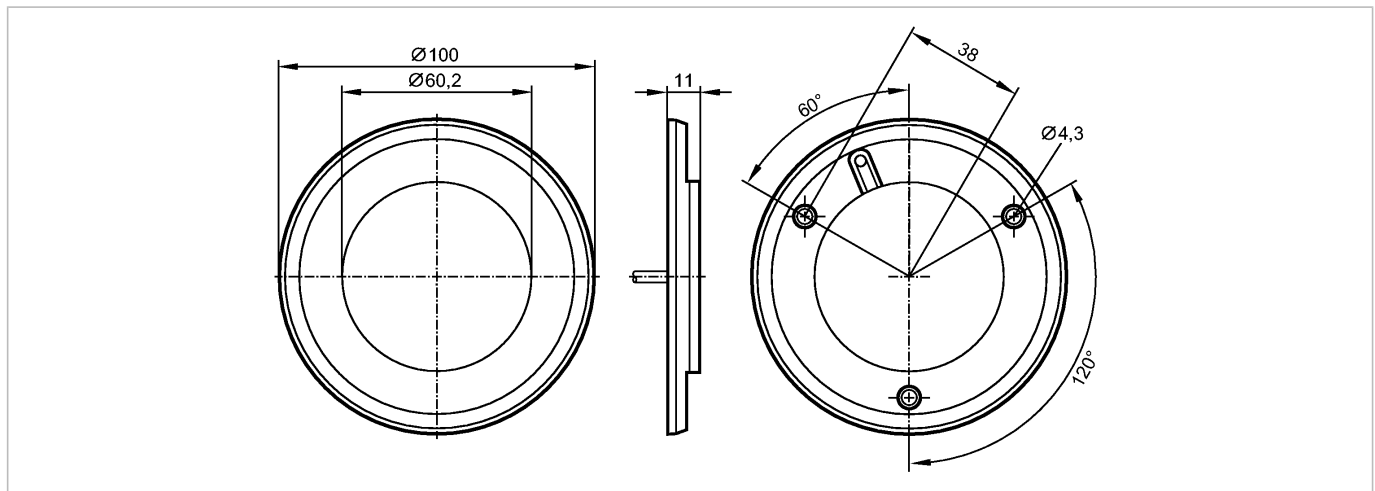


**KT5013**

KTRBFNUKBPKG/0.3M/SA/AM

Touch sensors



Made in Germany



**Product characteristics**

- Touch sensor
- Plastic housing
- Cable with connector
- Touch sensor with static evaluation principle
- Without coloured surround

**Electrical data**

Electrical design		DC PNP
Operating voltage	[V]	24 DC (12...36 DC)
Current consumption	[mA]	30
Protection class		III
Reverse polarity protection		yes
Oversvoltage protection	[V]	yes

**Outputs**

Output function		normally open
Current rating	[mA]	500
Short-circuit proof		yes

**Environment**

Ambient temperature	[°C]	-40...85
Protection		IP 69K; on the front

**Tests / approvals**

MTTF	[Years]	4904
------	---------	------

**Mechanical data**

Housing materials		window: Polyamide (Grilamid TR 90UV); fixing ring: polycarbonate-ABS black
Weight	[kg]	0.111

**Displays / operating elements**

Output status indication	LED	Red
Operation	LED	green
Display		8 LED

**Electrical connection**

Connection		PUR cable / 0.3 m; with M8 connector
------------	--	--------------------------------------

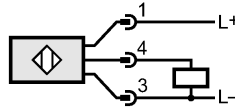
**Wiring**

## KT5013

KTRBFNUKBPKG/0.3M/SA/AM

Touch sensors

- 1: brown
- 2: white n.c.
- 3: blue
- 4: black



### Accessories

Accessories (optional)

surround in different colours

### Remarks

Pack quantity

[piece]

1