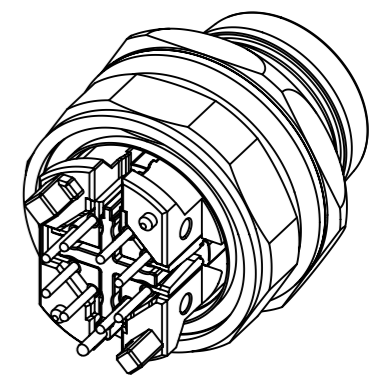


- 500 mating cycles acc. to DIN EN 60512-9-1
- design for reflow soldering
- 60 pcs. tray package

pin assignment		
pin	Signal	pair
1	TD1+	2
2	RD1-	2
3	TD2+	3
4	RD2-	3
5	TD4+	4
6	RD4-	4
7	RD3-	1
8	TD3+	1



	All rights reserved Department EC PD - DE	All Dimensions in mm Original Size DIN A3	Scale 2:1	Free size tol.	Ref. Sub.
		Created by BUSSMANN	Inspected by GENAU	Standardisation HASSE	Date 2014-10-02
HARTING Electronics GmbH D-32339 Espelkamp		Title <b>har-speed M12 PCB Cat6A receptacle straight front</b>			Doc-Key / ECM-Nr. 100230885/UGD/002/C 50000074641
		Type TB	Number 21033812802		Rev. C Page 1/1