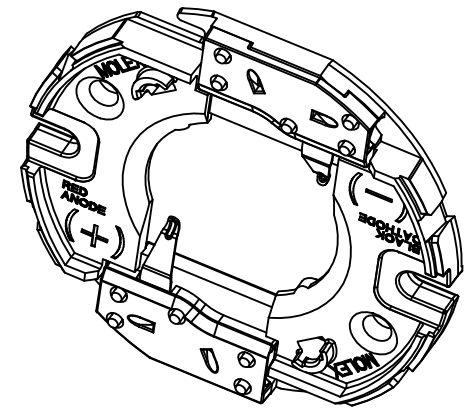
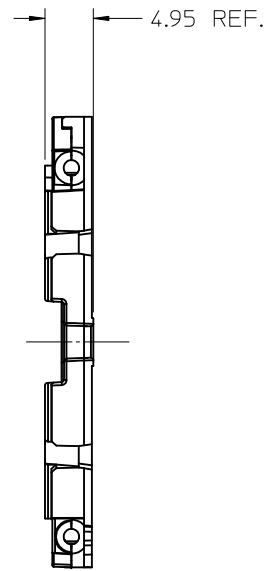
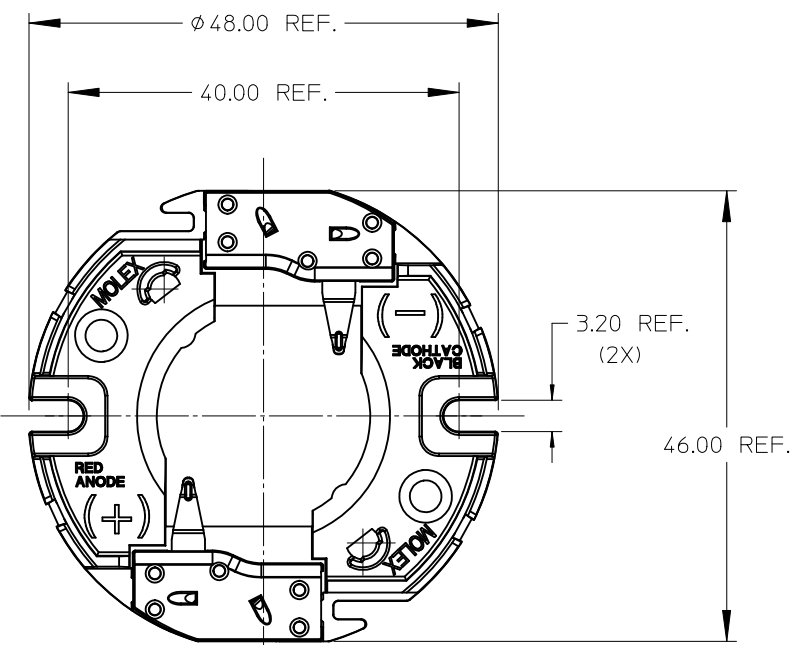
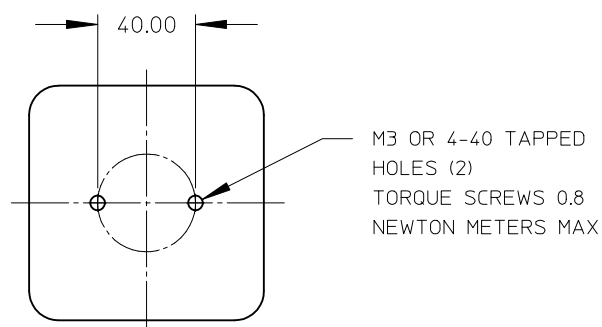


PART NUMBER	DESCRIPTION	SEE SHEET
180220-0000	HOLDER WITHOUT LENS	3
180220-0001	HOLDER WITH LENS	3
180222-0000	COVER LENS ONLY	3



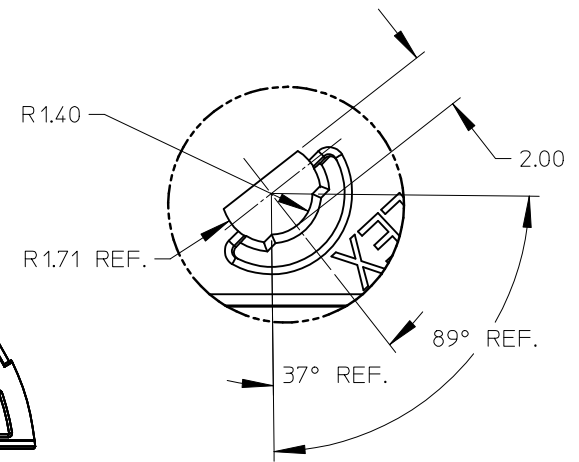
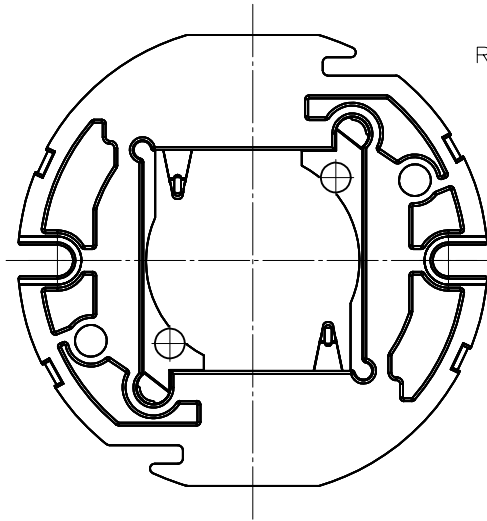
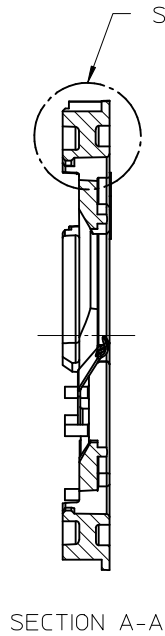
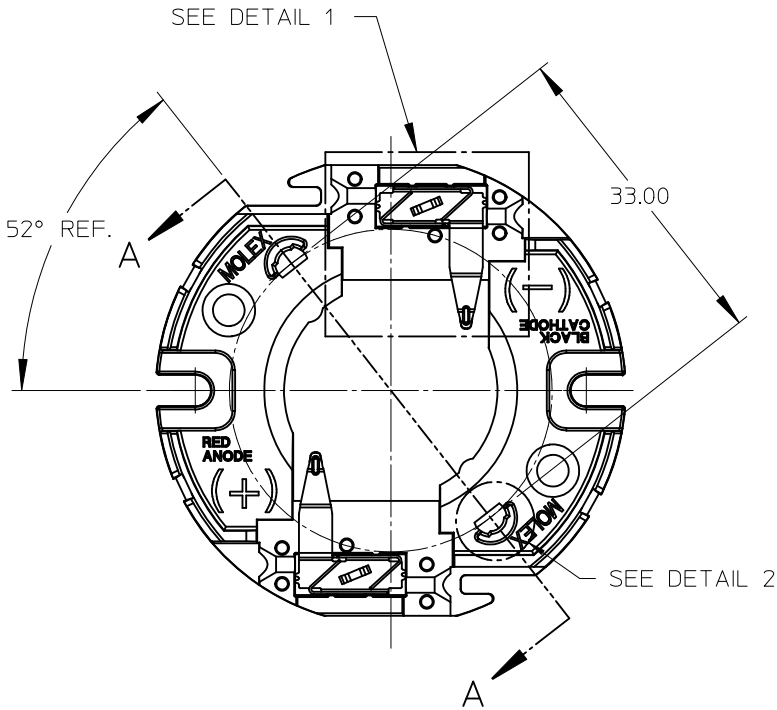
- NOTES:
- MATERIALS:
 - CAPS: NATURAL COLOR PA66 NYLON 25% GF UL94V-0
 - HOUSING: NATURAL COLOR PA66 NYLON 25% GF UL94V-0
 - COVER LENS: CLEAR POLYCARBONATE UL94HB
 - WIRE TRAP TERMINALS: COPPER ALLOY
 - FINISH: SILVER OVER NICKEL
 - THIS PRODUCT IS ELV AND ROHS COMPLIANT
 - APPLICABLE WIRE GAUGE - 18 OR 20 AWG
 - SOLID WIRE IS RECOMMENDED
 - IF STRANDED WIRE IS USED, PRE-TINNED IS RECOMMENDED
 - 1 cm STRIP LENGTH IS RECOMMENDED
 - MOUNT HOLDER USING M3 OR 4-40 SCREWS (2), 0.8 NEWTON METERS MAX TORQUE



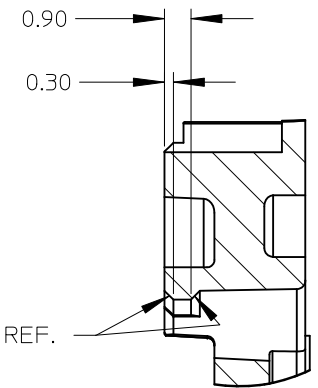
RECOMMENDED MOUNTING DIMENSIONS (NTS)

ENTER DESCRIPTION EC NO: SSL2011-0072 DRAWN BY: JAKLIC 2011/04/06 CHKD: JAKLIC APPR: DMCGOWAN 2011/04/12	QUALITY SYMBOLS ▽=0 ▽=0 ▽=0	GENERAL TOLERANCES (UNLESS SPECIFIED)		DIMENSION STYLE MM ONLY		SCALE 2:1	DESIGN UNITS METRIC	THIRD ANGLE PROJECTION		
		4 PLACES	± ---	± ---	DRAWN BY FJAKLIC	DATE 2011/01/26	CREE CXA20 LED HOLDER			
		3 PLACES	± ---	± ---	CHECKED BY	DATE				
		2 PLACES	± 0.13	± ---	APPROVED BY DMCGOWAN	DATE 2011/02/18		MOLEX INCORPORATED		
1 PLACE	± 0.25	± ---	ANGULAR ±1/2°		MATERIAL NO.	DOCUMENT NO. SD-180220-001	SHEET NO. 1 OF 3			
DRAFT WHERE APPLICABLE MUST REMAIN WITHIN DIMENSIONS		SEE CHART		THIS DRAWING CONTAINS INFORMATION THAT IS PROPRIETARY TO MOLEX INCORPORATED AND SHOULD NOT BE USED WITHOUT WRITTEN PERMISSION						

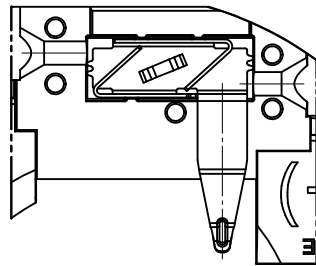
WIRE TRAP CAPS ARE REMOVED FROM FRONT VIEW FOR CLARITY



DETAIL 2 SCALE 6:1



LENS TO HOLDER SNAP FIT DETAIL
DETAIL 3 SCALE 6:1



VIEW OF TWO-WAY WIRE TRAP

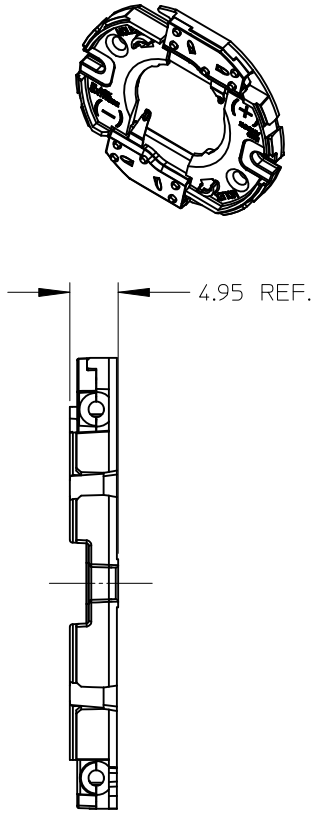
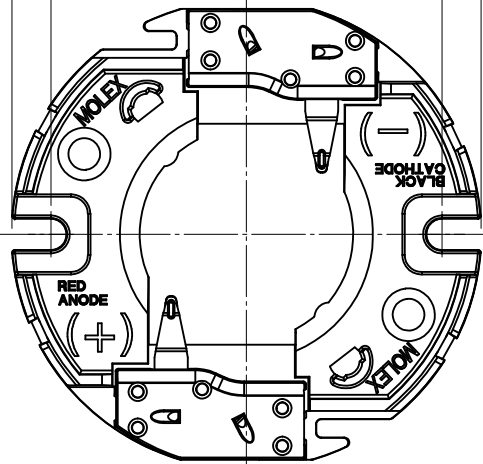
WIRE TRAPS WILL ACCOMODATE
EITHER 18 OR 20 GAUGE WIRE

DETAIL 1 SCALE 3:1

ENTER DESCRIPTION EC NO: SSL2011-0072 DRAWN BY: JAKLIC 2011/04/06 CHKD: JAKLIC APPR: DMCGOWAN 2011/04/12 REV B	QUALITY SYMBOLS ∇=0 ∇=0 ∇=0	GENERAL TOLERANCES (UNLESS SPECIFIED)		DIMENSION STYLE MM ONLY		SCALE 2:1	DESIGN UNITS METRIC	THIRD ANGLE PROJECTION		
		4 PLACES	± ---	± ---	DRAWN BY	DATE	TITLE CREE CXA20 LED HOLDER			
		3 PLACES	± ---	± ---	FJAKLIC	2011/01/26				
		2 PLACES	± 0.13	± ---	CHECKED BY	DATE	APPROVED BY DMCGOWAN 2011/02/18			
1 PLACE	± 0.25	± ---	MATERIAL NO.	DATE	DOCUMENT NO. SD-180220-001					
ANGULAR ±1/2°		DRAFT WHERE APPLICABLE MUST REMAIN WITHIN DIMENSIONS		SEE CHART					Molex MOLEX INCORPORATED	
THIS DRAWING CONTAINS INFORMATION THAT IS PROPRIETARY TO MOLEX INCORPORATED AND SHOULD NOT BE USED WITHOUT WRITTEN PERMISSION										

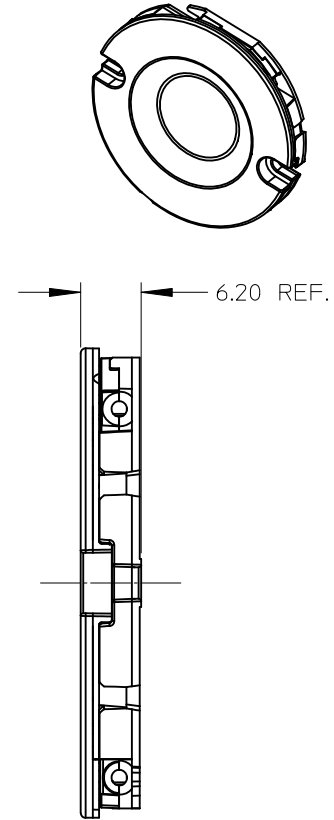
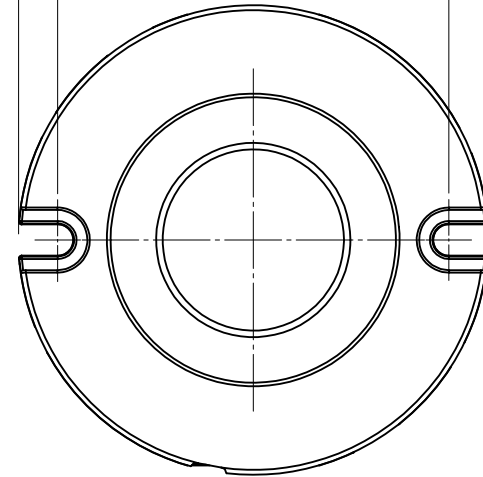
10 9 8 7 6 5 4 3 2 1

∅ 48.00 REF.
40.00 REF.



LED HOLDER PART NUMBER 180220-0000

∅ 48.00 REF.
40.00



LED HOLDER SHOWN WITH OPTIONAL CLEAR COVER LENS
MOLEX INDIVIDUAL COVER LENS PART NUMBER IS 180222-0000

ENTER DESCRIPTION EC NO: SSL2011-0072 DRAWN BY: JAKLIC 2011/04/06 CHKD: JAKLIC APPR: DMCGOWAN 2011/04/12 REV B	QUALITY SYMBOLS ▽/0 ▽/0 ▽/0	GENERAL TOLERANCES (UNLESS SPECIFIED) mm INCH 4 PLACES ± --- ± --- 3 PLACES ± --- ± --- 2 PLACES ± 0.13 ± --- 1 PLACE ± 0.25 ± --- ANGULAR ± 1/2°	DIMENSION STYLE MM ONLY DRAWN BY: JAKLIC DATE: 2011/01/26 CHECKED BY: DATE:	SCALE 2:1	DESIGN UNITS METRIC	THIRD ANGLE PROJECTION
	TITLE CREE CXA20 LED HOLDER					
	APPROVED BY: DMCGOWAN DATE: 2011/02/18 MATERIAL NO.					
	DRAFT WHERE APPLICABLE MUST REMAIN WITHIN DIMENSIONS SEE CHART THIS DRAWING CONTAINS INFORMATION THAT IS PROPRIETARY TO MOLEX INCORPORATED AND SHOULD NOT BE USED WITHOUT WRITTEN PERMISSION					
				MOLEX INCORPORATED DOCUMENT NO. SD-180220-001	SHEET NO. 3 OF 3	

9 8 7 6 5 4 3 2 1