

# H70

## Panel Mounted

Joystick

### H70

Panel cut-out (mm)  $\varnothing 36.8 \times 22.2$

Characteristics

- single axis joystick controllers
- positive movement to full travel – central dead band
  - single or double pole versions

Rating 250 VAC, 6 A

Dimensions (mm)  $60 \times 31.9 \times 57.1$

Actuator ■ paddle style

Approvals ENEC, UL and CSA (switch only)



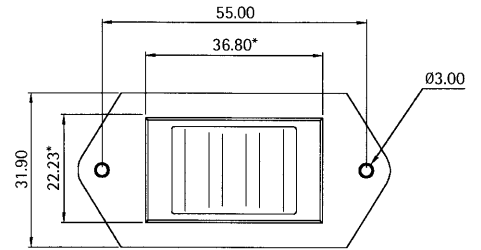
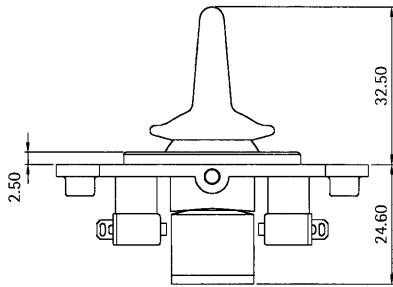
### Popular products

Ordering Reference	Panel cut-out	Dimensions	Directional gating	Number of poles	Actuating modus	Switch type	Terminal Type	Electrical rating ENEC	UL/CSA
H701000	$36.8 \times 22.23$	$64 \times 31.9 \times 57.1$	2 way gate at $180^\circ$	1 pole	Normal	292/20/150	Solder	6 A, 250 VAC, 25E3, T85	6 A, 250 VAC
H702000	$36.8 \times 22.23$	$64 \times 31.9 \times 57.1$	2 way gate at $180^\circ$	2 pole	Normal	292/20/150	Solder	6 A, 250 VAC, 25E3, T85	6 A, 250 VAC
H701010	$36.8 \times 22.23$	$64 \times 31.9 \times 57.1$	2 way gate at $180^\circ$	2 pole	Normal	291/20/150	Faston	6 A, 250 VAC, 25E3, T85	6 A, 250 VAC
H702010	$36.8 \times 22.23$	$64 \times 31.9 \times 57.1$	2 way gate at $180^\circ$	2 pole	Normal	291/20/150	Faston	6 A, 250 VAC, 25E3, T85	6 A, 250 VAC

Specifications

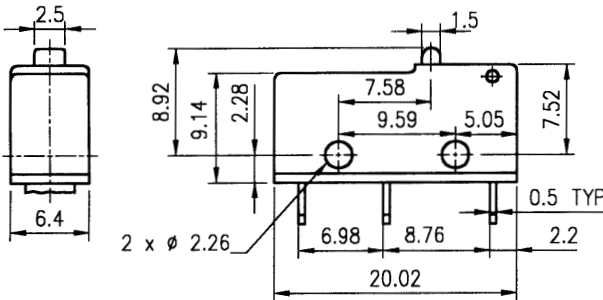
Switch	292/20/150 (solder) or 291/20/150 (faston)
Body and actuator	A.B.S
Spindle	Nylon 6.6
Spring	Stainless steel

Dimensions



\* Suitable panel cutter: RS stock number 543-709 can be supplied with order at extra cost

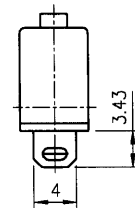
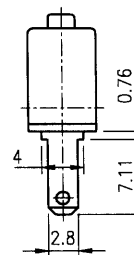
290 series subminiature switch



Terminal Reference

291  
2.8 x 0.5  
fast on

292  
solder



Recommended maximum electrical ratings

Electrical rating	250 VAC, 6 A
Switch Type	292/20/150 (solder) or 291/20/150 (faston) with gold flashed contacts
Terminals	Solder or faston
Temperature rating	T85 °C
Insulation	>1250 V
Tracking resistance	PTI KB 250

## Type coding key for standard products

Basic type	H 70	Single axis panel mounted joystick	Example: H70	1	0	0	0
Number of poles	1	Single pole					
	2	Double pole					
Spring return	0	Standard					
Terminal type	0	292 solder					
	1	291 faston					
Cowl	0	None					

