

Process displays

LED process displays Analogue signals with Min / Max value detection (DC) Codix 529



Cost-effective standard signal display for front panel mount with scalable bright 5-digit LED display.

The 14 bit resolution ensures an accurate measuring value display range with minimum and maximum value detection.



DC 10 ... 30 V Power supply	 mA, V Display scaling	 14 bit Resolution	 Menu-driven programming	 Galvanic isolation	 - 10° + 50° Temperature range	 IP65 High protection level	 min / max Min / Max value detection	 DIN 48 x 24 DIN front bezel	 5 LED LED display
--	------------------------------	--------------------------	-----------------------------	------------------------	--------------------------------------	-----------------------------------	--	------------------------------------	--------------------------

Product features

- Input range: 1 current measuring input, 1 voltage measuring input
- Compact display for analogue signals
- Display range -19 999 ... 99 999 with leading zeros suppression
- Modern industrial design

Benefits

- Galvanic isolation with protection against incorrect polarity
- Autom. Min / Max value detection
- Freely programmable characteristic curve end points
- Input for display hold

Order specifications

Display for analogue signals with Min / Max value detection

6.529.012.300 ¹⁾

Delivery specification

- Digital display
- Mounting clip
- Gasket
- Instruction manual, multilingual
- 1 set of self-adhesive symbols
- Front bezel for screw mounting (T008181) 56 x 40 mm [2.20 x 1.57"], panel cut-out 50 x 25 mm [1.97 x 0.98"]
- Front bezel for clip mounting (T008180) 53 x 28 mm [2.09 x 1.10"], panel cut-out 50 x 25 mm [1.97 x 0.98"]

Accessories	Dimensions in mm [inch]	Order-No.
Adapter front bezel, 72 x 36 [2.83 x 1.42]	For cut-out 68 x 33 [2.68 x 1.30] to cut-out 45 x 22.2 [1.77 x 0.87], for counters 48 x 24 [1.89 x 0.94], as set black and silver anodised	162704 Set
Adapter front bezel, 48 x 48 [1.89 x 1.89]	For cut-out 45 x 45 [1.77 x 1.77] to cut-out 45 x 22.2 [1.77 x 0.87], with clip mounting for counters 48 x 24 [1.89 x 0.94] black	T008883
Adapter front bezel, 60 x 50 [2.36 x 1.97]	For cut-out 54 x 29 [2.13 x 1.14] to cut-out 45 x 22.2 [1.77 x 0.87], with screw mounting and gasket for counters 48 x 24 [1.89 x 0.94] black	N003001
Transparent cover, lockable, IP65	For cut-out 54 x 29 [2.13 x 1.14], for screw mounting to front bezel F1B or adapter front bezel N003001, for counters with cut-out 50 x 25 [1.97 x 0.98] or 45 x 22.2 [1.77 x 0.87]	N003002
Sealing cover type K1, IP65	Suitable for front bezel 60 x 50 [2.36 x 1.97], for screw mounting of electromech. counters and via adapter front bezel N003001 for counters 48 x 24 [1.89 x 0.94]	G008301
Mounting frame with cut-out 50 x 25 [2.36 x 1.97] via separate adapter also for 45 x 22.2 [1.77 x 0.87]	For snap-on mounting on 35 [1.38] top-hat DIN rail, for counters 53 x 28 [2.09 x 1.10] and via separate adapter (T008180) for counters 48 x 24 [1.89 x 0.94] chromated	G300004

Suitable gaskets as well as further accessories can be found in the accessories section or in the accessories area of our website at: www.kuebler.com/accessories.

1) Stock types

Process displays

LED process displays Analogue signals with Min/Max value detection (DC) Codix 529

Technical data

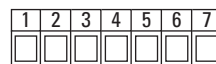
General technical data	
Display	5 digits, red 7 segment LED display; 8 mm [0.32"] high
Measuring rate	2 measurements/second
Data backup	EEPROM
Operating temperature	-10°C ... +50°C [+14°F ... +122°F] (non-condensing)

Electrical characteristics	
Power supply	10 ... 30 VDC, galvanically isolated with integrated reverse polarity protection
Current consumption	max. 50 mA
EMC	Emitted interference EN 55011 class B Immunity to interference EN 61000-6-2

Mechanical characteristics	
Housing	front panel mount 48x24 mm [1.89 x 0.94"] acc. to DIN 43700; RAL 7021, dark grey
Protection	IP65 (front side)
Weight	approx. 50 g [1.76 oz]
Connections	screw terminal, pitch 5.08 mm [2"], 7 pin

Measuring signal inputs	
Input current measurement	0 ... 20 mA, 4 ... 20 mA
Voltage drop	max 1.5 V DC
Input voltage measurement	0 ... 10 V, 2 ... 10 V input resistance approx. 1 MΩ max. input signal level 30 V DC
Control inputs	HIGH 4 ... 30 V DC LOW 0 ... 2 V DC
Resolution	14 bit
Accuracy	< 0.1 % for the whole measuring range at an operating temperature of 20°C [68°F]
Temperature drift	< 70 ppm/K _{Ambient}

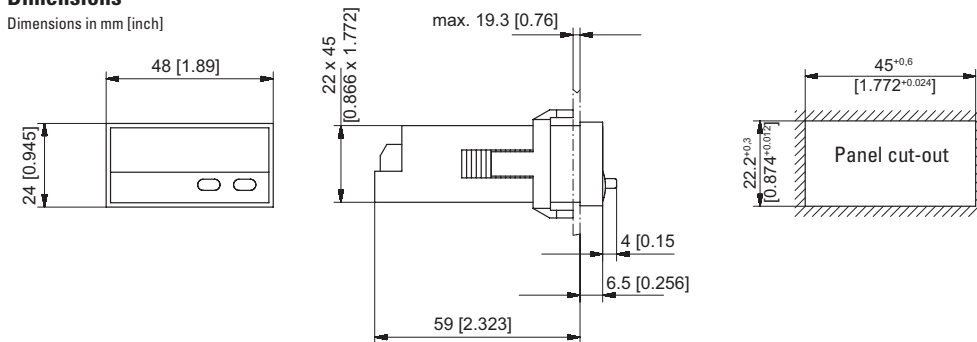
Terminal assignment



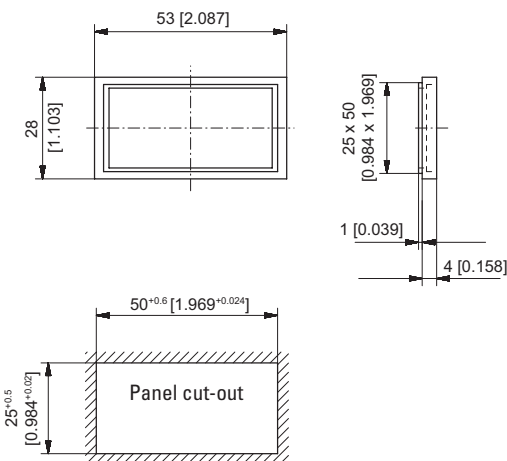
PIN	
1	10 ... 30 V DC
2	GND
3	GND
4	Latch
5	0 (4) ... 20 mA
6	Analogue GND
7	0 (2) ... 10 V DC

Dimensions

Dimensions in mm [inch]



Front bezel for clip mounting (included in delivery)



Front bezel for screw mounting (included in delivery)

