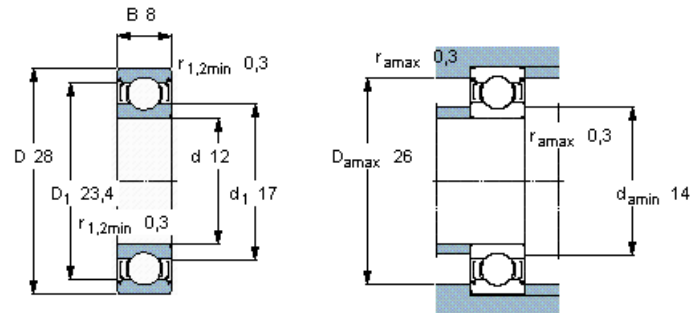


Deep groove ball bearings, single row, SKF Energy Efficient (E2) bearings



Principal dimensions			Basic load ratings		Fatigue load limit P_u	Speed ratings		Mass	Designation
d	D	B	dynamic	static		Reference speed	Limiting speed		
mm			kN		kN	r/min		kg	-
12	28	8	5,07	2,32	0,098	66000	33000	0,022	E2.6001-2Z/C3



Calculation factors

$k_r = 0,025$
 $f_0 = 13$