

**Ordering number C11918_STRADA-T-6X1-DNW**

Family	Strada-Module	FWHM	Asym degrees
Type	Lens array	Efficiency	(simulated) 0 %
LED	Oslon SSL 150	cd/lm	0.380
Color	Clear	Gerber File	Available
Diameter	119.8 x 25.2 mm		
Height	5.6 mm		
Style	Rectang		
Optic Material	PMMA		
Holder Material	-		
Fastening	Screw, pin, glue		
Status	Ready		

NOTE: The typical divergence will be changed by different color, chip size and chip position tolerance. The typical total divergence is the full angle measured where the luminous intensity is half of the peak value.



PRODUCT DATASHEET Strada-Module series

last update 13/11/2012



GENERAL INFORMATION

- Product series especially designed & optimized for Oslon SSL 150 series of LEDs.
- Special care taken to make light distribution as uniform as possible.
- Lens material optical grade PMMA with high UV and temperature resistance. Allows use of high current and temperature conditions.

Please find more information about used material from below:

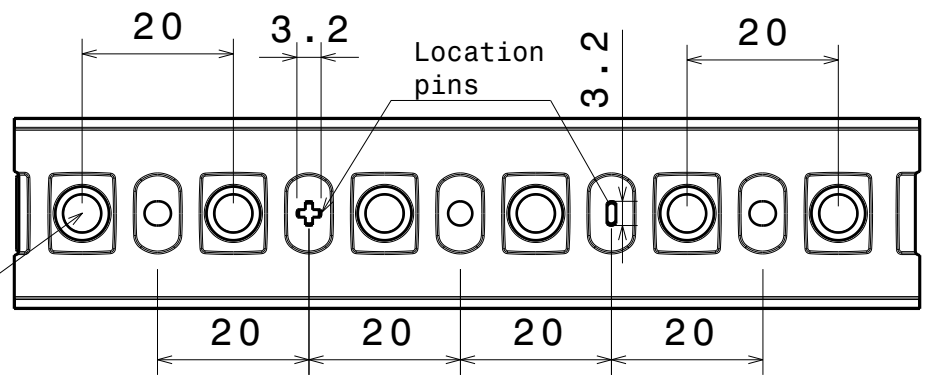
http://ledil.fi/sites/default/files/Documents/Technical/Material/PMMA%20N%20UL94_Yellow%20Card.pdf

<http://ledil.fi/sites/default/files/Documents/Technical/Material/PMMA%20N%20PLEXIGLAS-Datasheet.pdf>

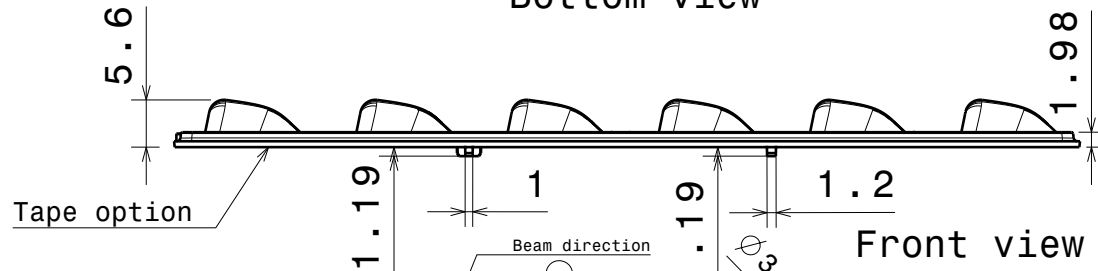
D C B A

4

LED in the center of the optic



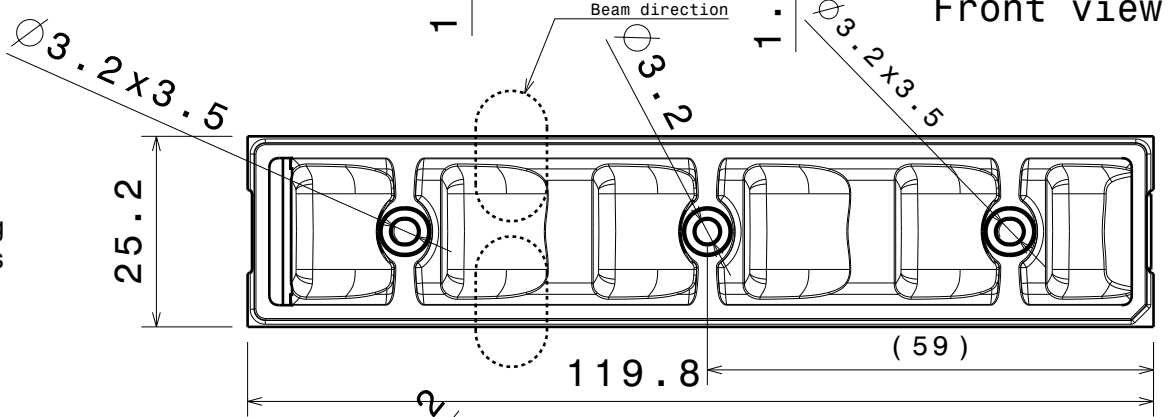
Bottom view



Front view

3

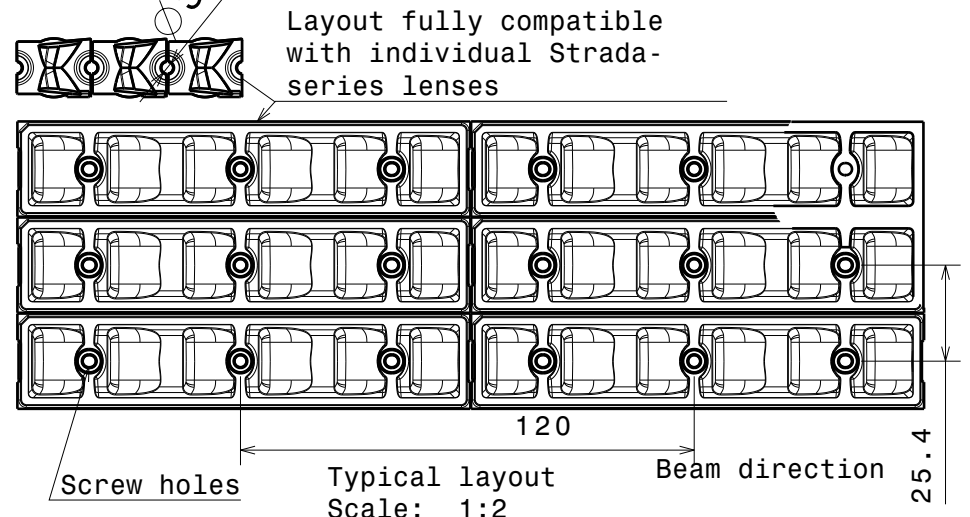
Note, Ledil Oy won't provide tape or sealing plates for this product.



2

Materials:
Lens PMMA

Tolerances for dimensions:
0-20mm tolerance value $\pm 0.1\text{mm}$
21-45mm tolerance value $\pm 0.2\text{mm}$
46-90mm tolerance value $\pm 0.3\text{mm}$
91-100mm tolerance value $\pm 0.4\text{mm}$
101-mm tolerance value $\pm 0.5\text{mm}$



Typical layout
Scale: 1:2

This drawing is our property. It can't be reproduced or communicated without our written agreement.



Ledil Oy
Salorankatu 10
FIN-24100 SALO
Finland

DRAWING TITLE

Datasheet Strada-T-6x1-DNW Lens

DRAWN BY
pv

DATE
1.11.2012

CHECKED BY
jl

DATE
1.11.2012

SIZE
A4

DRAWING NUMBER
C11918

REV
6

DESIGNED BY
hh

DATE
02.12.2010

SCALE 2:1

WEIGHT (g)

SHEET 1/1

1

1

D

A