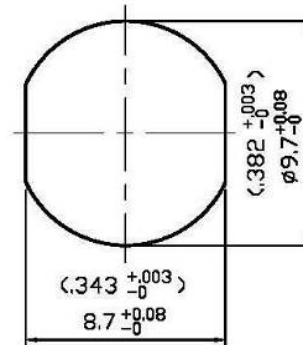
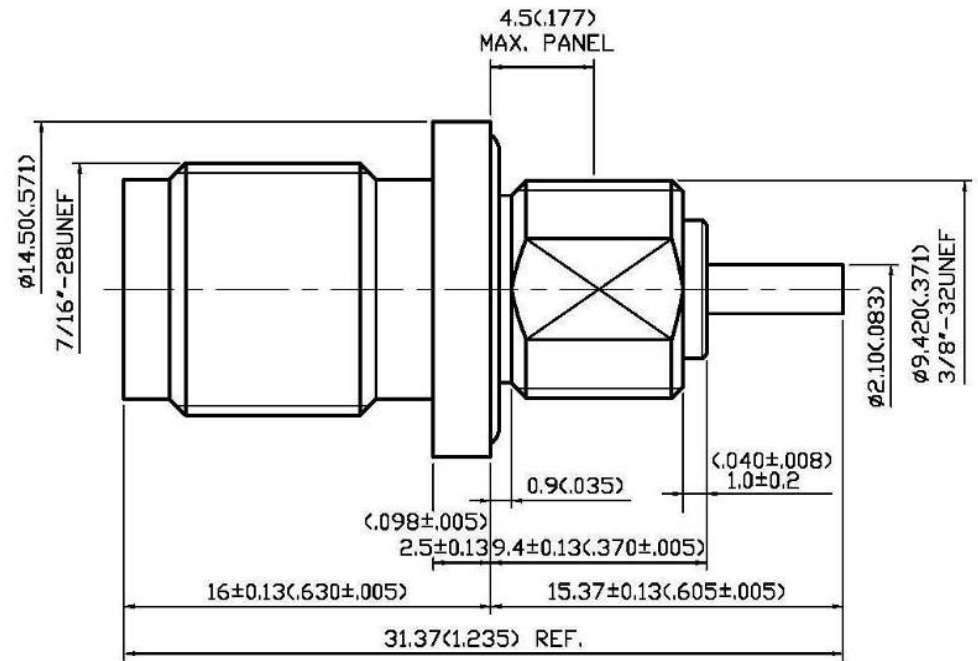
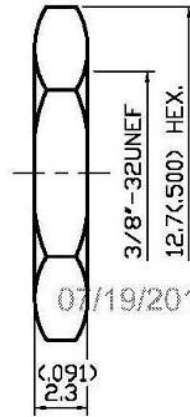
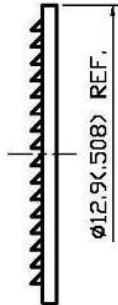
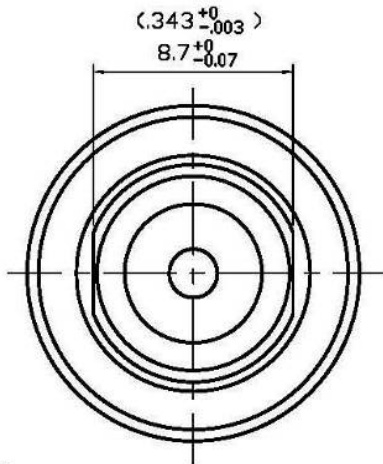


NO	DESCRIPTION	DATE
△	ADD VSWR	07.10.13'



RECOMMENDED PANEL CUTOUT

1.0 ELECTRICAL

- 1.1 FREQUENCY RANGE: DC-11 GHz
- 1.2 NOMINAL IMPEDANCE: 50 OHM
- 1.3 VOLTAGE RATING: 500 VOLTS MAX.
- 1.4 VSWR: 1.5 MAX.

2.0 MATERIALS

- 2.1 BODIES: BRASS PER JIS-C3604
- 2.2 CENTER CONTACT: BERYLLIUM COPPER PER ASTM B196 UNS C17300
- 2.3 INSULATION: TEFLON PER ASTM D1457 AND ASTM D1710

3.0 FINISHES AND OTHERS

- 3.1 SEE BELOW TABLE FOR DETAILS.

4.0 MECHANICAL

- 4.1 INTERFACE IN ACCORDANCE WITH: MIL-STD-348A

5.0 ENVIRONMENTAL

- 5.1 OPERATING TEMPERATURE RANGE: -65° C TO +165° C
- 5.2 CONNECTOR MUST WITHSTAND WATERPROOF LEAK TEST PRESSURE 3 kg/cm² MIN.

10	CENTER CONTACT	BERYLLIUM COPPER	1	GOLD
9	INSULATION	TEFLON	1	NONE
8	O-RING	SILICONE	1	BLACK
7	O-RING	SILICONE	1	BLACK
6	O-RING	SILICONE	1	BLACK
5	WASHER	BRASS	1	WHITE BRONZE 80 μ" MIN.
4	INSULATION	TEFLON	1	NONE
3	BODY	BRASS	1	WHITE BRONZE 80 μ" MIN.
2	NUT	BRASS	1	NICKEL
1	WASHER	PHOSPHOR BRONZE	1	NICKEL
NO	DESCRIPTION	MATERIAL	Q'TY	FINISH

APPROVED by _____ DATE: _____



DESCRIPTION		TNC STRAIGHT BULKHEAD JACK RECEPTACLE					
製圖	DRAWN	TOLERANCE	品名	15-29-12 T.G.WB/N	DATE	版次	REV.
	Kristina		titles	\ROHS COMPLIANT (50Ω)			
檢圖	CHECK	UNIT	單位	DWG.NO.	15-0209	7933626	
	Ivan						
認定	APPROVAL	ANGLE	比例				
	Angela	±5°	4:1				

