

Please note that the data given here has been taken from the online catalog. For comprehensive information and data, please refer to the user documentation at <http://www.download.phoenixcontact.com>. The General Terms and Conditions of Use apply to Internet downloads.

► Extract from the online catalog



MCR temperature transducer, configurable, for thermocouples, with screw connection, not configured

Order No.	2864299
Ord designation	MINI MCR-SL-TC-UI-NC
EAN	4017918956554
Pack	1 Pcs.
Customs tariff	85389091
Catalog page information	Page 259 (IF-2005)

► Technical data

Input data	
Configurable/programmable	Yes
Usable sensor types (TC)	Thermoelemente Typ J, K (IEC 584-1)

Output data

Configurable/programmable	Yes, unconfigured
Voltage output signal	0 V ... 10 V
Voltage output signal	10 V ... 0 V
Voltage output signal	0 V ... 5 V
Voltage output signal	1 V ... 5 V
Current output signal	0 mA ... 20 mA
Current output signal	4 mA ... 20 mA
Current output signal	20 mA ... 0 mA
Current output signal	20 mA ... 4 mA
Max. output current	23 mA
Load/output load voltage output	$\geq 10 \text{ k}\Omega$
Load/output load current output	$\leq 500 \text{ }\Omega$

Power supply

Range of supply voltages	19.2 V DC ... 30 V DC (To bridge the supply voltage, DIN rail bus connector (ME 6,2 TBUS-2 1,5/5-ST-3,81 GN, Order no. 2869728) can be used. It can be snapped onto a 35 mm DIN rail in acc. with EN 60715)
--------------------------	---

Connection data

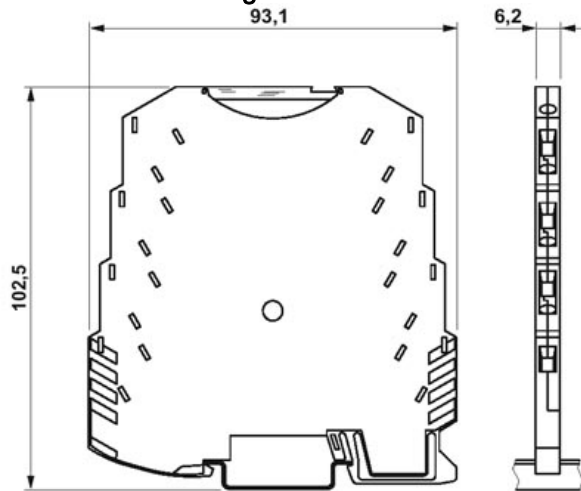
Type of connection	Screw connection
Conductor cross section, rigid min.	0.14 mm^2
Conductor cross section, rigid max.	2.5 mm^2
Conductor cross section flexible min.	0.2 mm^2
Conductor cross section, flexible max.	2.5 mm^2
Conductor cross section AWG/kcmil min.	26
Conductor cross section AWG/kcmil max	12
Stripping length	12 mm
Screw thread	M 3

General data

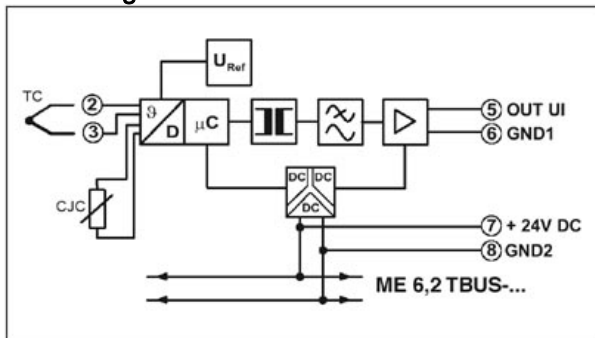
No. of channels	1
Length	93.1 mm
Width	6.2 mm
Height	102.5 mm
Transmission error, max.	0.2 % (of the full measurement range)
Temperature coefficient, max. (/K)	0.02 %
Step response (10-90%)	30 ms
Test voltage	1.5 kV AC (50 Hz, 1 min)
Test voltage input/output	1.5 kV AC
Test voltage input/power supply	1.5 kV AC
Test voltage output/power supply	1.5 kV AC
Protective circuitry	Transient protection
Ambient temperature (operation)	-20 °C ... 65 °C
Electromagnetic compatibility	CE in compliance
Color	green
Housing material	PBT
Installation position	Any
Assembly instructions	The DIN rail bus connector (T-BUS) can be used for bridging the supply voltage. It can be snapped onto a 35 mm EN 60715 DIN rail.

► Drawings

Dimensioned drawing



Circuit diagram



► Address

PHOENIX CONTACT GmbH & Co. KG
Flachsmarktstr. 8
32825 Blomberg
Germany
Phone +49 5235 3 00
Fax +49 5235 3 41200
<http://www.phoenixcontact.com>
Phoenix Contact
Technical modifications reserved;