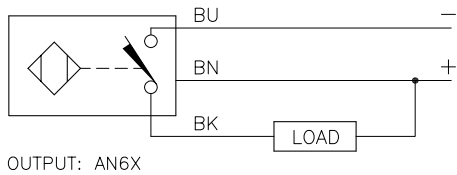
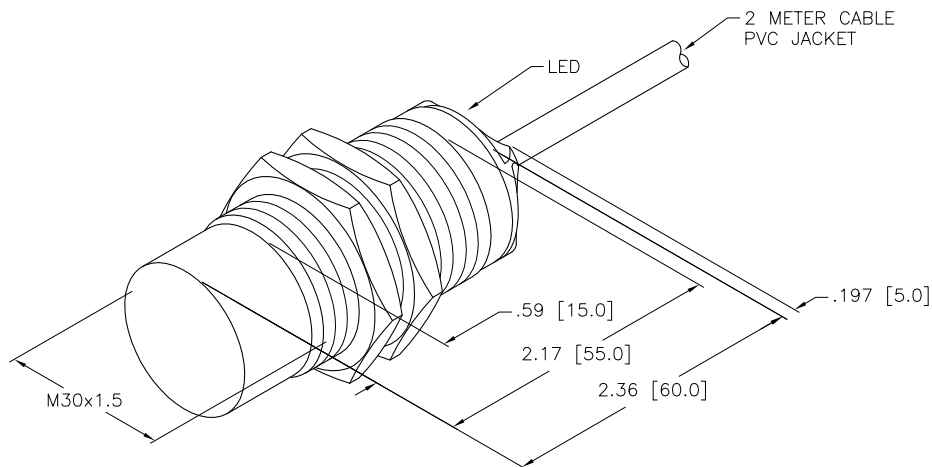


WIRING DIAGRAM



SHORT-CIRCUIT AND OVERLOAD PROTECTED



SPECIFICATIONS

OPERATING VOLTAGE	10-30 VDC
HYSTERESIS (DIFFERENTIAL TRAVEL)	3-15% (5% TYPICAL)
VOLTAGE DROP ACROSS CONDUCTING SENSOR	≤ 1.8 V at 200 mA
OUTPUT FUNCTION	NORMALLY OPEN 3-WIRE DC
TTL COMPATIBLE	NO
SHORT-CIRCUIT PROTECTED	YES
TRIGGER CURRENT FOR OVERLOAD PROTECTION	≥ 220 mA
CONTINUOUS LOAD CURRENT	≤ 200 mA
OFF-STATE (LEAKAGE) CURRENT	< 100 μA
NO-LOAD CURRENT	≤ 10 mA
TIME DELAY BEFORE AVAILABILITY	≤ 8 ms
POWER-ON EFFECT	Per IEC 947-5-2
REVERSE POLARITY PROTECTION	INCORPORATED
WIRE-BREAK PROTECTION	INCORPORATED
TRANSIENT PROTECTION	Per EN 60947-5-2
OPERATING TEMPERATURE	-25°C to +70°C (-13°F to +158°F)
ENCLOSURE	MEETS NEMA 1, 3, 4, 6, 13 AND IEC IP67
SHOCK	30 g, 11 ms
VIBRATION	55 Hz, 1 mm AMPLITUDE (IN ALL 3 PLANES)
LED FUNCTION	YELLOW: OUTPUT ENERGIZED
RATED OPERATING DISTANCE(Sn)	20 mm = .787" (NOMINAL)
SWITCHING FREQUENCY	500 Hz
REPEATABILITY	≤ 2% of RATED OPERATING DISTANCE
SHIELDED	NO
TEMPERATURE DRIFT	< ±15%
LOCKNUT M30x1.5	36 mm AF, 41.5 mm AC, 5 mm THK

SOURCE DRAWING - FOR REFERENCE ONLY

NOTE:

- MATERIALS:
 BARREL - CHROME PLATED BRASS
 LOCKNUTS - CHROME PLATED BRASS
 SENSING FACE - PA12-GF30 PLASTIC
 END CAP - TPE-O ELASTOMER
- ALL DIMENSION TOLERANCES ARE ± 1.0 mm.

RELATED DOCUMENTS		3RD ANGLE PROJECTION		THIS DRAWING IS PROPERTY OF TURCK INC. USE OF THIS DOCUMENT WITHOUT WRITTEN PERMISSION IS PROHIBITED.		TURCK INC High Technology Sensors and Automation Controls 3000 CAMPUS DRIVE MINNEAPOLIS, MN 55441 1-800-544-7769 (763) 553-7300 (763) 553-0708 fax turck.com	
1. 2. 3. 4.				DRFT IK	DATE 03/12/01	DESCRIPTION Ni20-M30-AN6X	
MATERIAL SEE NOTE 1		ALL DIMENSIONS DISPLAYED ON THIS DRAWING ARE FOR REFERENCE ONLY		DSGN	SCALE 1=1.5	IDENTIFICATION NO. T4670516	
FINISH SEE NOTE 1		CONTACT TURCK FOR MORE INFORMATION		UNIT OF MEASUREMENT INCH [MILLIMETER]		REV A	
A DRAWING RELEASE		IK	05/08/01	DO NOT SCALE THIS DRAWING		FILE: T4670516	
REV	DESCRIPTION	BY	DATE	ECO NO.	SHEET 1 OF 1		