

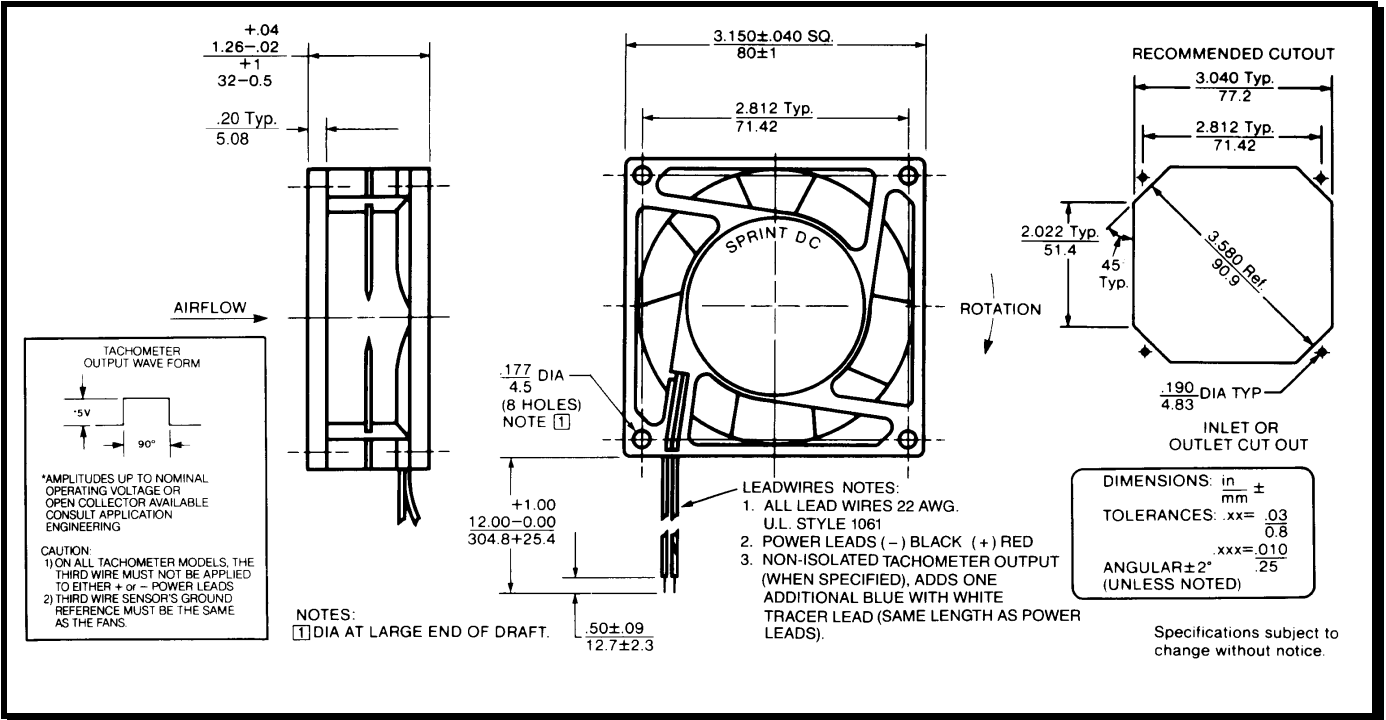
SPECIFICATIONS



Model Number: ST12S3H
Part Number: 032396

SHREV.A
 September 7, 2010

Mechanical Drawing:



Motor (full speed):

Nominal Voltage	= 12 vdc
Operating Voltage Range	= 6 – 14 vdc
Nominal Running Current	= 0.420 amps
Max. Locked Rotor Current	= 1.05 amps
Running Power	= 5.0 watts
Average Speed	= 3900 RPM
Bearings	= Ball Bearing
Air Flow	= 38 CFM
Acoustics	= 42.7 dBA

Construction:

Venturi: Plastic, Black, UL94V-0
 Propeller: Plastic, Black, UL94V-0

Life Expectancy:

This fan is designed for continuous duty life of 78,000 hours at 40°C.

Additional Features:

- Brushless DC Motor
- Locked Rotor Protection
- Polarity Protection
- Automatic Restart Capability
- Operating Temperature: -10°C to 70°C
- Storage temperature: -40°C to 85°C
- Thermal Speed Control

Termination:

Thermistor on 25" zip cord
 12" Lead wires, 22 AWG, UL 1061
 Red = Power (+)
 Black = Return (-)

Agency Approvals

UL,