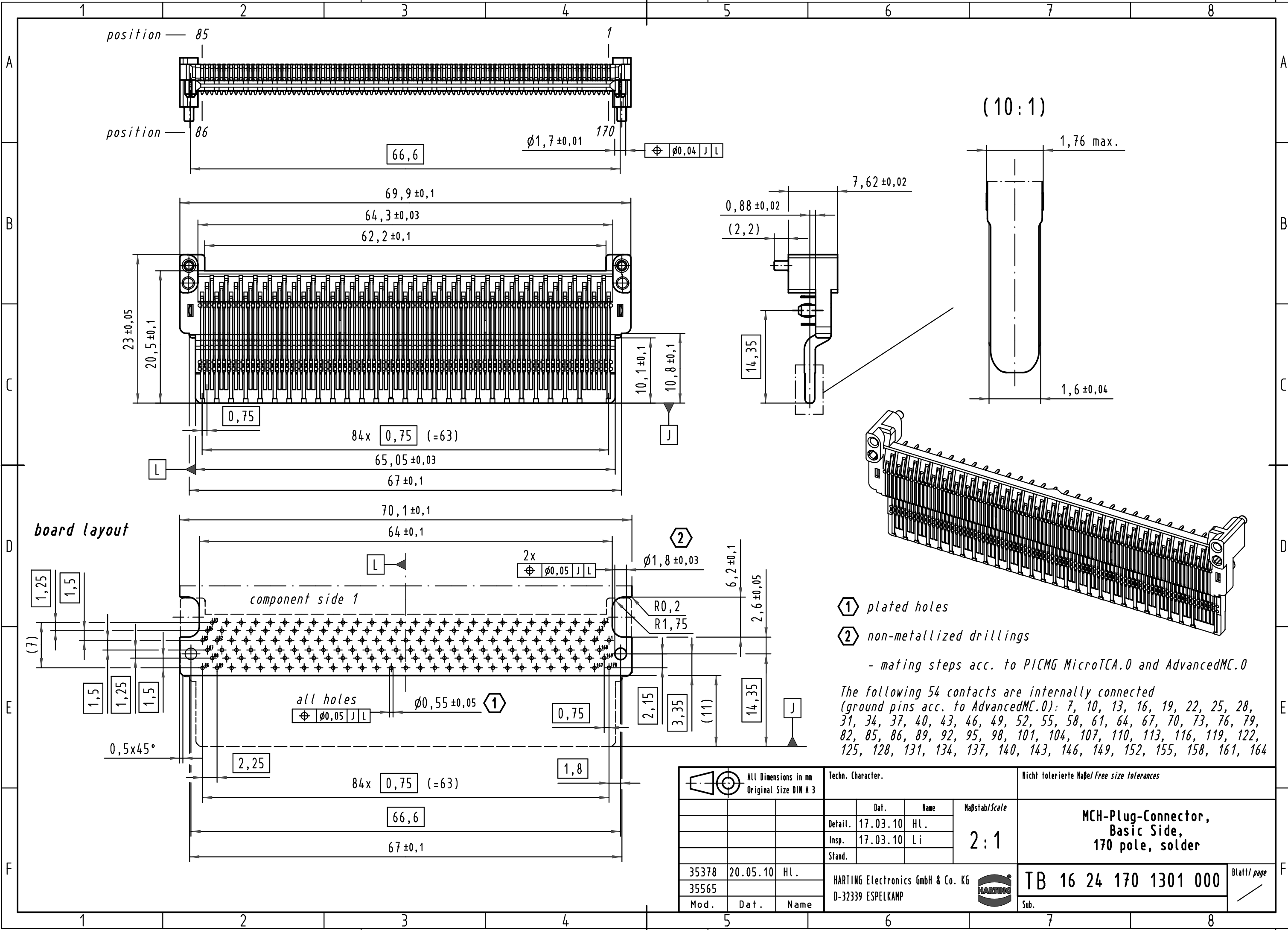


Alle Rechte vorbehalten/ All rights reserved



- ① plated holes
 - ② non-metallized drillings
- mating steps acc. to PICMG MicroTCA.0 and AdvancedMC.0

The following 54 contacts are internally connected (ground pins acc. to AdvancedMC.0): 7, 10, 13, 16, 19, 22, 25, 28, 31, 34, 37, 40, 43, 46, 49, 52, 55, 58, 61, 64, 67, 70, 73, 76, 79, 82, 85, 86, 89, 92, 95, 98, 101, 104, 107, 110, 113, 116, 119, 122, 125, 128, 131, 134, 137, 140, 143, 146, 149, 152, 155, 158, 161, 164

All Dimensions in mm Original Size DIN A 3			Techn. Character.			Nicht tolerierte Maß/Free size tolerances			
Mod.	Dat.	Name	Detail.	Insp.	Stand.	Maßstab/Scale 2:1	MCH-Plug-Connector, Basic Side, 170 pole, solder		
35378	20.05.10	HL.	17.03.10	17.03.10				TB 16 24 170 1301 000	Blatt/ page
35565									
HARTING Electronics GmbH & Co. KG D-32339 ESPELKAMP									