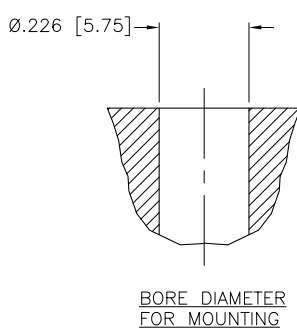
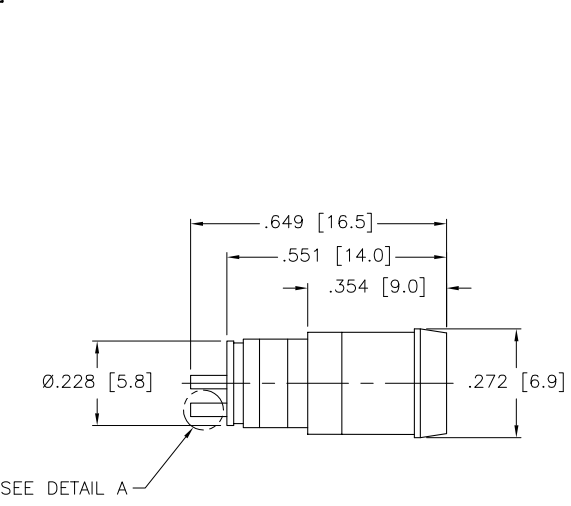
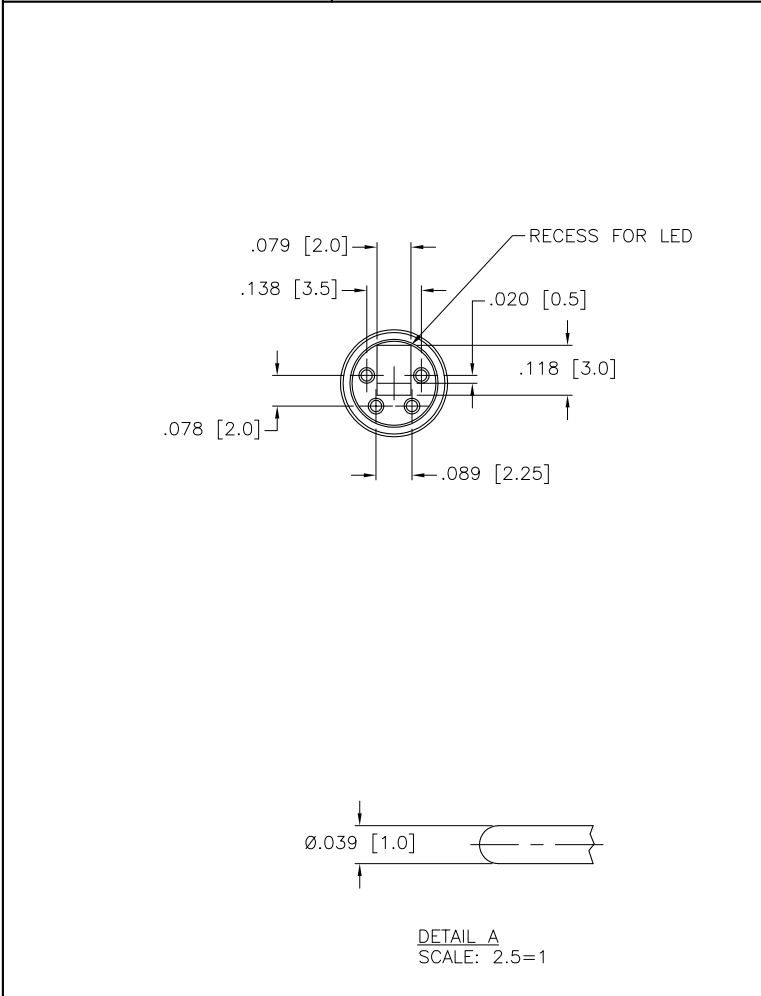


SPECIFICATIONS	
CONTACT CARRIER MATERIAL/COLOR	NYLON/CLEAR
CONTACT MATERIAL/PLATING	CuZn, GOLD PLATED
HOUSING MATERIAL/PLATING	NICKEL PLATED BRASS
RATED CURRENT [A]	4.0 A
RATED VOLTAGE [V]	30 VAC/36 VDC
TEMPERATURE RANGE	-30°C to +80°C (-22°F to +176°F)



RELATED DOCUMENTS 1. 2. 3. 4.	3RD ANGLE PROJECTION 	THIS DRAWING IS PROPERTY OF TURCK INC. USE OF THIS DOCUMENT WITHOUT WRITTEN PERMISSION IS PROHIBITED.		3000 CAMPUS DRIVE MINNEAPOLIS, MN 55441 1-800-544-7769 (763) 553-7300 (763) 553-0708 fax turck.com	
	MATERIAL	DRFT IK	DATE 04/14/99	DESCRIPTION ESHM 4P (10/BAG)	
FINISH	ALL DIMENSIONS DISPLAYED ON THIS DRAWING ARE FOR REFERENCE ONLY	DSGN	SCALE 2=1.0	IDENTIFICATION NO. E3015	REV B
B	CHANGE 3 MALE PIN-OUT TO 4-PIN	IK	12/13/00	B4279	
REV	DESCRIPTION	BY	DATE	ECO NO.	
		UNIT OF MEASUREMENT INCH [MILLIMETER]		DO NOT SCALE THIS DRAWING	
				FILE: PIC\E3015	SHEET 1 OF 1