



22MM PLASTIC ROUND COMPLETE UNIT
 COMBINATION: ILLUMINATED PUSHBUTTON
 MOMENTARY CONTACT TYPE WITH FLAT BUTTON
 ILLUMINATED WITH INTEGRATED LED 230V AC SCREW
 TERMINAL,
 1NO+1NC WITH HOLDER RED

Front ring:

| | | |
|---------------------------------------|--|---------|
| Product component / front ring | | Yes |
| Material / of the front ring | | plastic |

Enclosure:

| | | |
|-------------------------------------|--|---------|
| Shape / of the housing front | | round |
| material / of the housing | | plastic |

General technical details:

| | | |
|--|---|------------|
| Number of control points | | 1 |
| Type of voltage | | AC |
| <ul style="list-style-type: none"> • of the operating voltage • of the supply voltage • of the fluorescent material | | AC |
| Operating voltage / rated value | | |
| <ul style="list-style-type: none"> • minimum • maximum | V | 190 265 |
| Supply voltage / 1 | | |
| <ul style="list-style-type: none"> • of the fluorescent material • at 60 Hz / for AC / rated value | V | 230 |

| | | |
|--|-----|----------------------|
| • at 50 Hz / for AC / rated value | V | 230 |
| Design of the electrical connection | | screw-type terminals |
| Number of switching positions | | 2 |
| Product component / fluorescent materials | | Yes |
| Product extension / optional / fluorescent materials | | Yes |
| Resistance against shock • for devices without incandescent lamp / according to IEC 60068-2-27 | | <= 50g |
| Resistance against vibration / according to IEC 60068-2-6 | | 20 ... 200 Hz: 5g |
| Operating cycles / maximum | 1/h | 1,000 |
| Mechanical operating cycles as operating time / typical | | 3,000,000 |
| Item designation • according to DIN EN 61346-2 • according to DIN 40719 extendable after IEC 204-2 / according to IEC 750 | | S S |

Auxiliary circuit:

| | | |
|--|--|---|
| Number of NC contacts / for auxiliary contacts | | 1 |
| Number of NO contacts / for auxiliary contacts | | 1 |
| Number of change-over switches / for auxiliary contacts | | 0 |

Installation/mounting/dimensions:

| | | |
|---|-----|----------------|
| Execution of the mounting | | integrated LED |
| Type of mounting | | front mounting |
| Shape / of the installation hole | | round |
| Installation width | mm | 28.5 |
| Mounting diameter | mm | 22 |
| Mounting height | mm | 8 |
| Tightening torque / of the screws in the bracket / maximum | N·m | 1 |

Ambient conditions:

| | | |
|--|----|-----------------------------|
| Ambient temperature • during operating • during storage | °C | -25 ... 70 °C -40 ... 80 |
| Protection class IP | | IP66 |

Certificates/approvals:

General Product Approval



[ROSTEST](#)



Test Certificates

[Manufacturer](#)

Shipping Approval



other

[Manufacturer](#)

Further information:

Information- and Downloadcenter (Catalogs, Brochures,...)

<http://www.siemens.com/industrial-controls/catalogs>

Industry Mall (Online ordering system)

<http://www.siemens.com/industrial-controls/mall>

CAX-Online-Generator

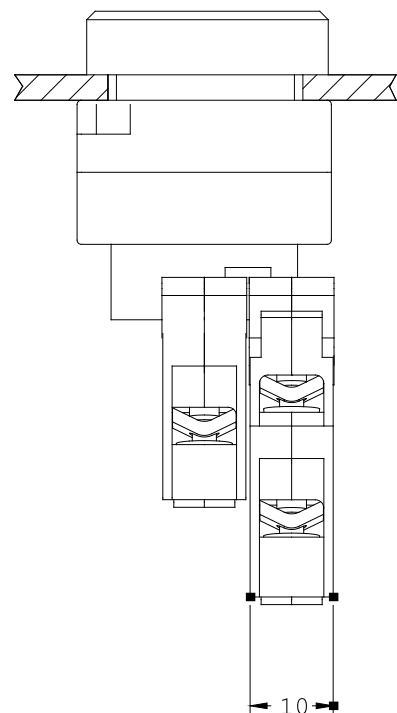
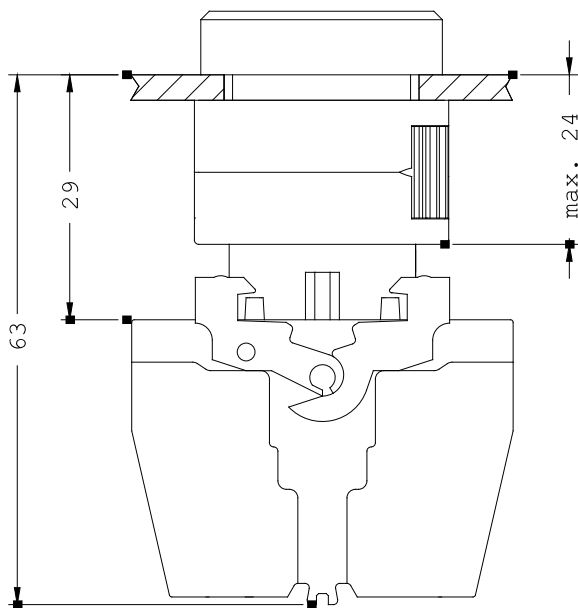
<http://www.siemens.com/cax>

Service&Support (Manuals, Certificates, Characteristics, FAQs,...)

<http://support.automation.siemens.com/WW/view/en/3SB3255-0AA21/all>

Image database (product images, 2D dimension drawings, 3D models, device circuit diagrams, ...)

http://www.automation.siemens.com/bilddb/cax_en.aspx?mlfb=3SB3255-0AA21



last change:

Oct 31, 2011