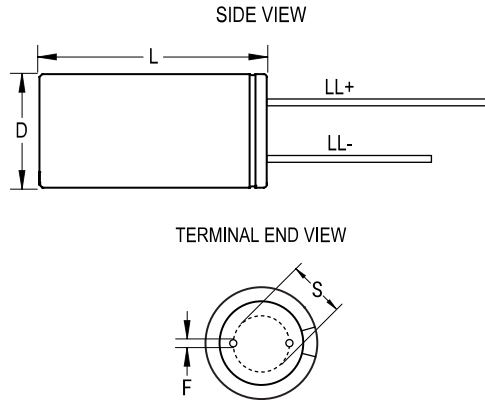


ESH, Aluminum Electrolytic, 100 uF, 20%, 200 VDC, -25/+105°C, Lead Spacing = 7.5mm



Dimensions	
D	16mm +/-0.5mm
L	25mm +2.0/-0mm
S	7.5mm +/-0.5mm
LL Negative	15mm MIN
LL Positive	20mm MIN
F	0.8mm NOM

Packaging Specifications	
Packaging:	Bulk, Bag
Packaging Quantity:	1000

General Information	
Supplier:	KEMET
Series:	ESH
Dielectric:	Aluminum Electrolytic
Description:	Single Ended Aluminum Electrolytic
RoHS:	Yes
Lead:	Wire Leads
AEC-Q200:	No

Specifications	
Capacitance:	100 uF
Capacitance Tolerance:	20%
Voltage DC:	200 VDC, 250 VDC (Surge)
Temperature Range:	-25/+105°C
Rated Temperature:	105°C
Life:	2000 Hrs
Dissipation Factor:	15.00% 120Hz 25C
Ripple Current:	350 mAmps (120Hz 105C)
Leakage Current:	610 uA (2min 20°C)
Impedance Ratio at -25C:	4