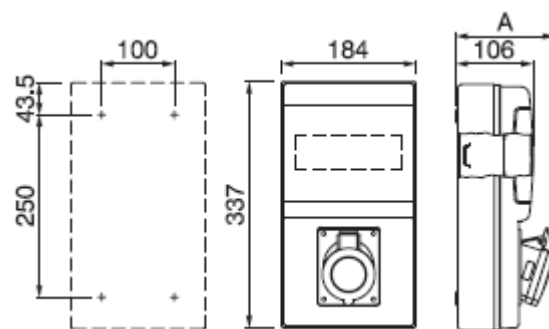


Datasheet

Industrial Power Socket

RS Stock number 410-101



Specifications:

Rated current:	16A
Poles:	3P+N+E
Rated voltage:	400V
Working Frequency:	50Hz
Working Frequency:	60Hz
Colour:	Red
Protection degree:	IP44
Version:	With protection appliance
RCD Protection:	Main switch with RCD