

DETAILS

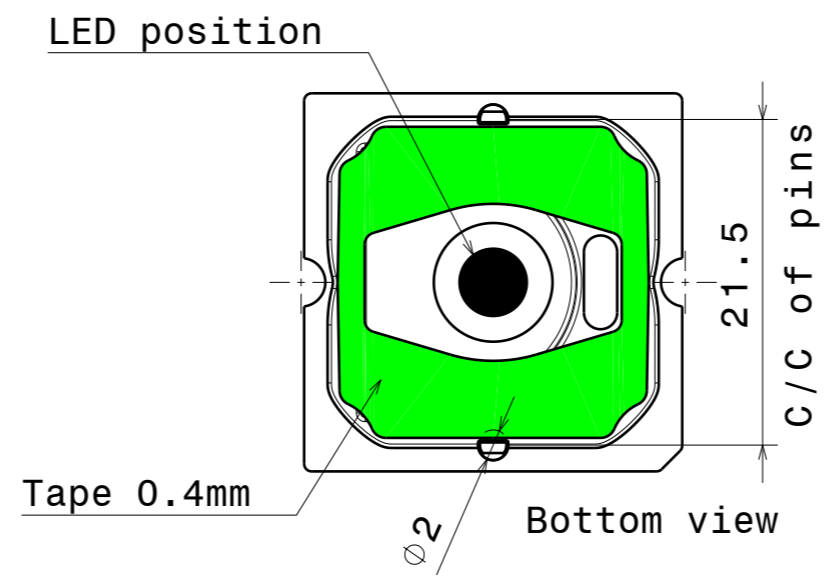
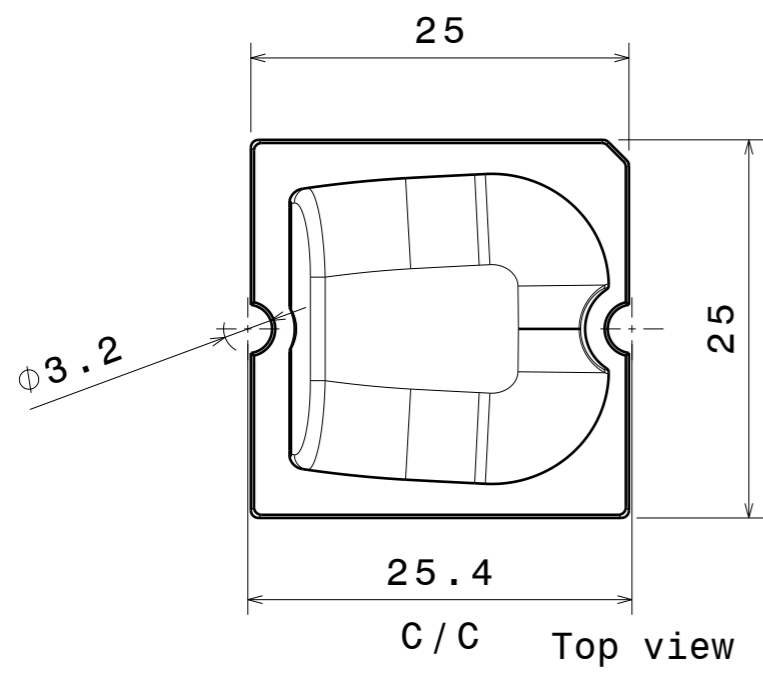
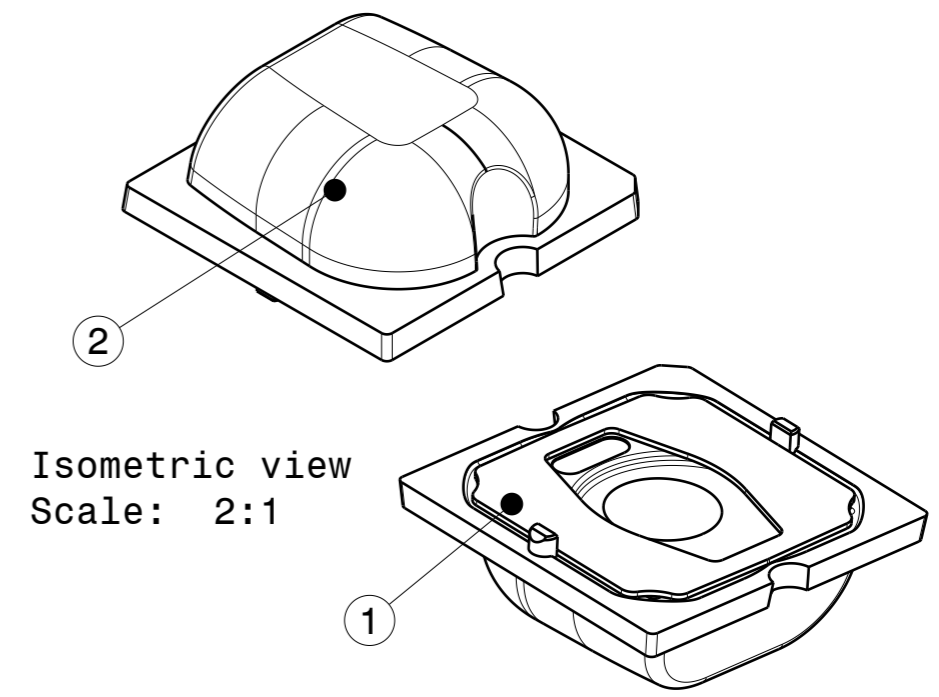
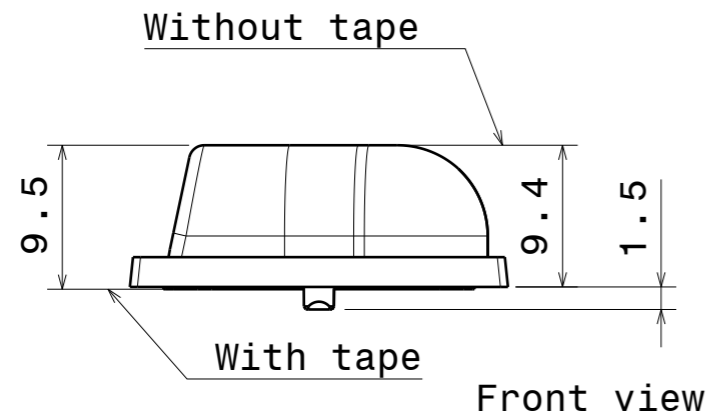
Product Number	CA14032_STRADA-SQ-T4
Family	Strada-SQ
Type	Lens
Color	clear
Diameter	25x25 mm
Height	9.4 mm
Style	square
Optic Material	PMMA
Holder Material	
Fastening	screw, pin, tape
Status	ready
ROHS Compliant	Yes
Date Updated	4/05/2015



OPTICAL PROPERTIES

LED	Viewing Angle	Light Beam	Efficiency	cd/lm	Connector
MK-R	Asym deg	Streetligh...	92 %	0.480	-
LUXEON M	Asym deg	Streetligh...	92 %	0.500	-
MHB-A	sim: Asym	Streetligh...	-	sim: 0.000	-
XHP50	Asymmetric deg	Streetligh...	93 %	0.560	-
LUXEON MZ	Asym deg	Streetligh...	93 %	0.670	-
LUXEON TX	Asymmetric deg	Streetligh...	93 %	0.710	-

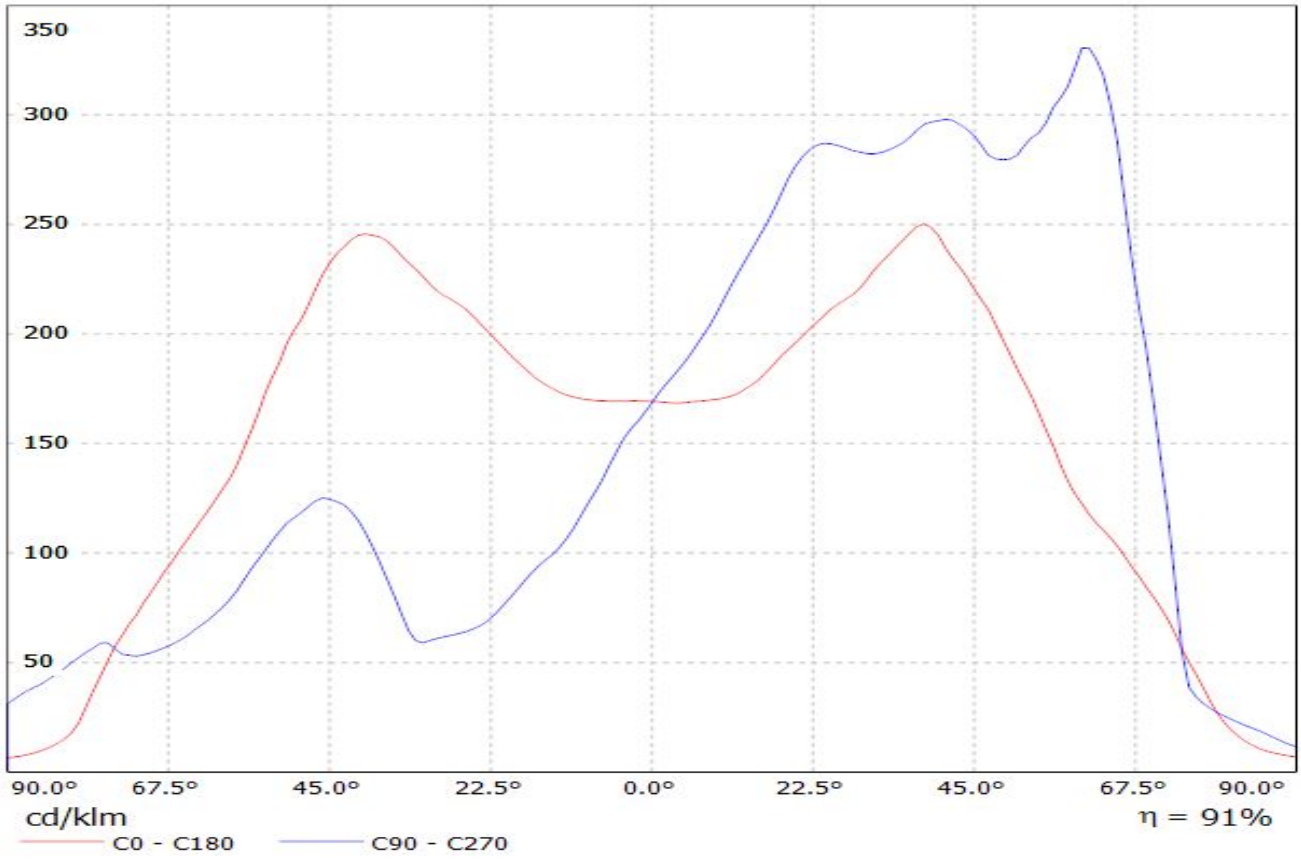
H G F E D C B A



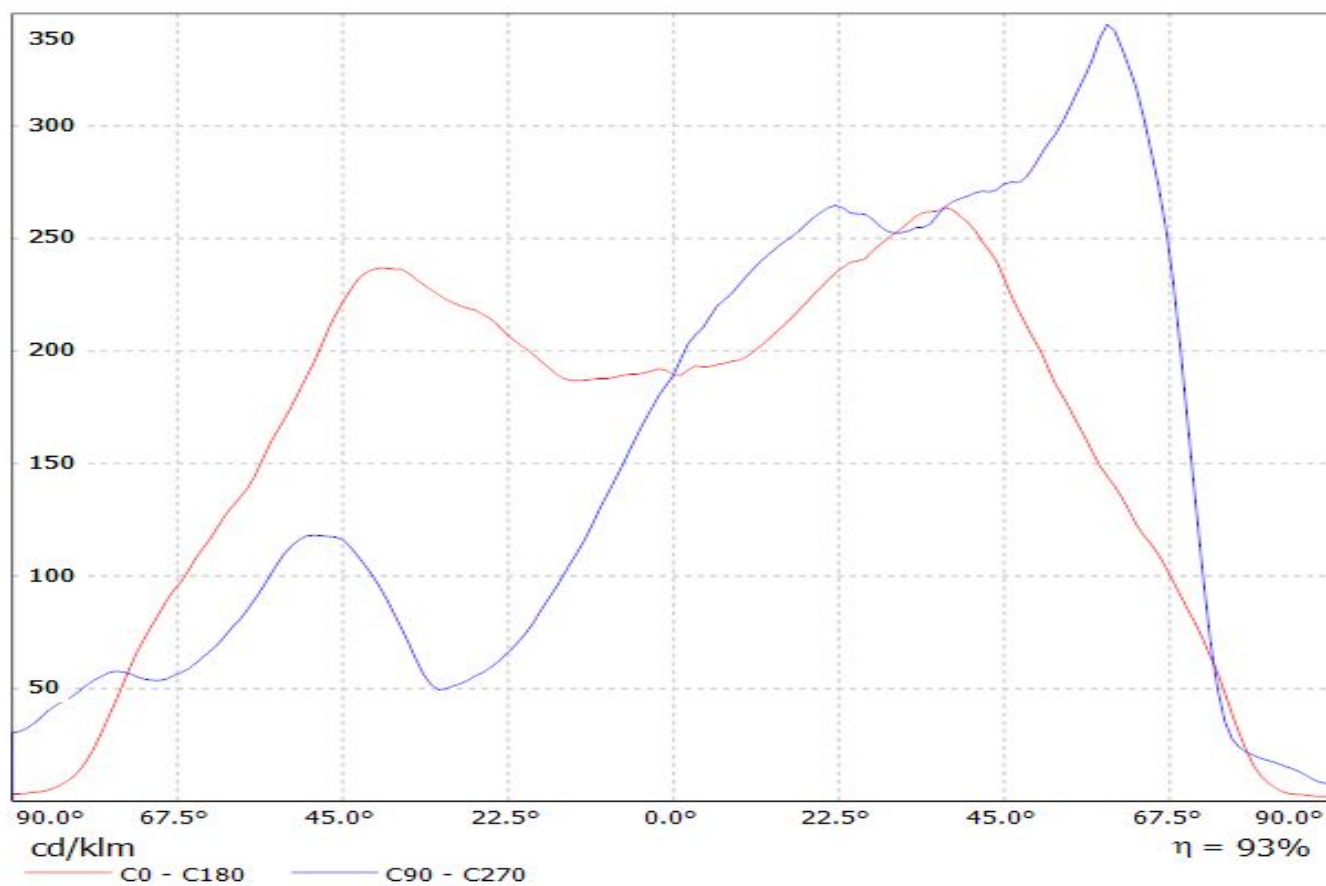
<p>Tolerances if not otherwise shown According to DIN ISO 2768-1 Linear measures: Up to 30mm class M, otherwise class C. According to DIN ISO 2768-2 Form and position: class L</p>		<p>LEDiL LediL Oy Salorankatu 10 FIN 24240 SALO Finland</p>	
<p>THIRD ANGLE PROJECTION: </p>		<p>DRAWING TITLE STRADA-SQ-T4 Mechanical Drawing</p>	
<p>This drawing is the property of LEDiL Oy. It may not be reproduced, copied or communicated without a written agreement with LEDiL Oy."</p>		<p>SIZE A3</p>	<p>PART NUMBER -</p>
		<p>SCALE 2:1</p>	<p>WEIGHT -</p>
		<p>SHEET 1/1</p>	

H G B A

Luminaire: LEDiL Oy STRADA-SQ-T4_(MK-R)
Lamps: 1 x CREE_MK-R_356.736lm@250mA_P=2.83786W_I=249.9mA

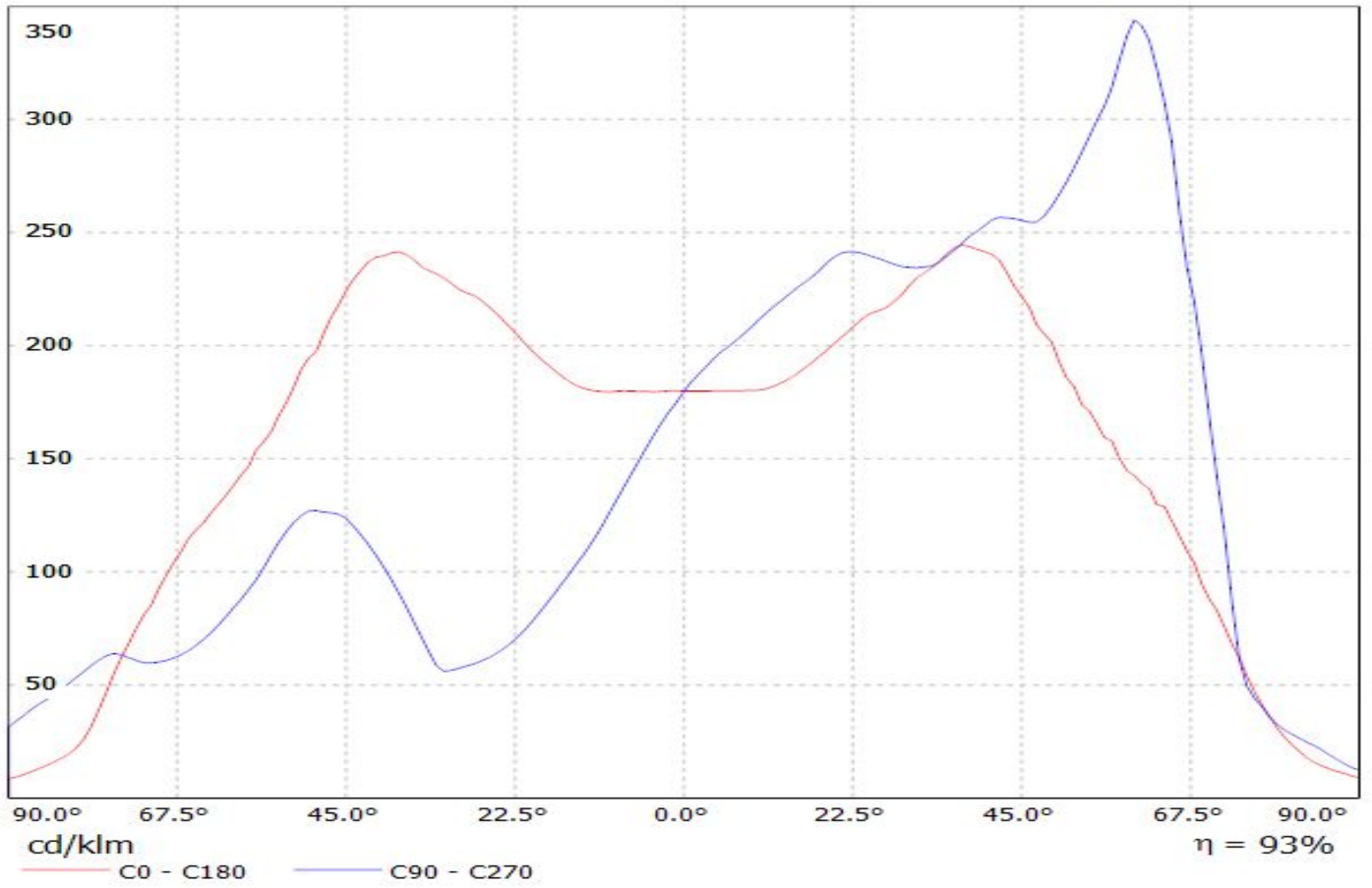


Luminaire: LEDiL Oy STRADA-SQ-T4_(LuxM)
Lamps: 1 x Luxeon M LXR7-SW30 355lm@250mA P:2.8W

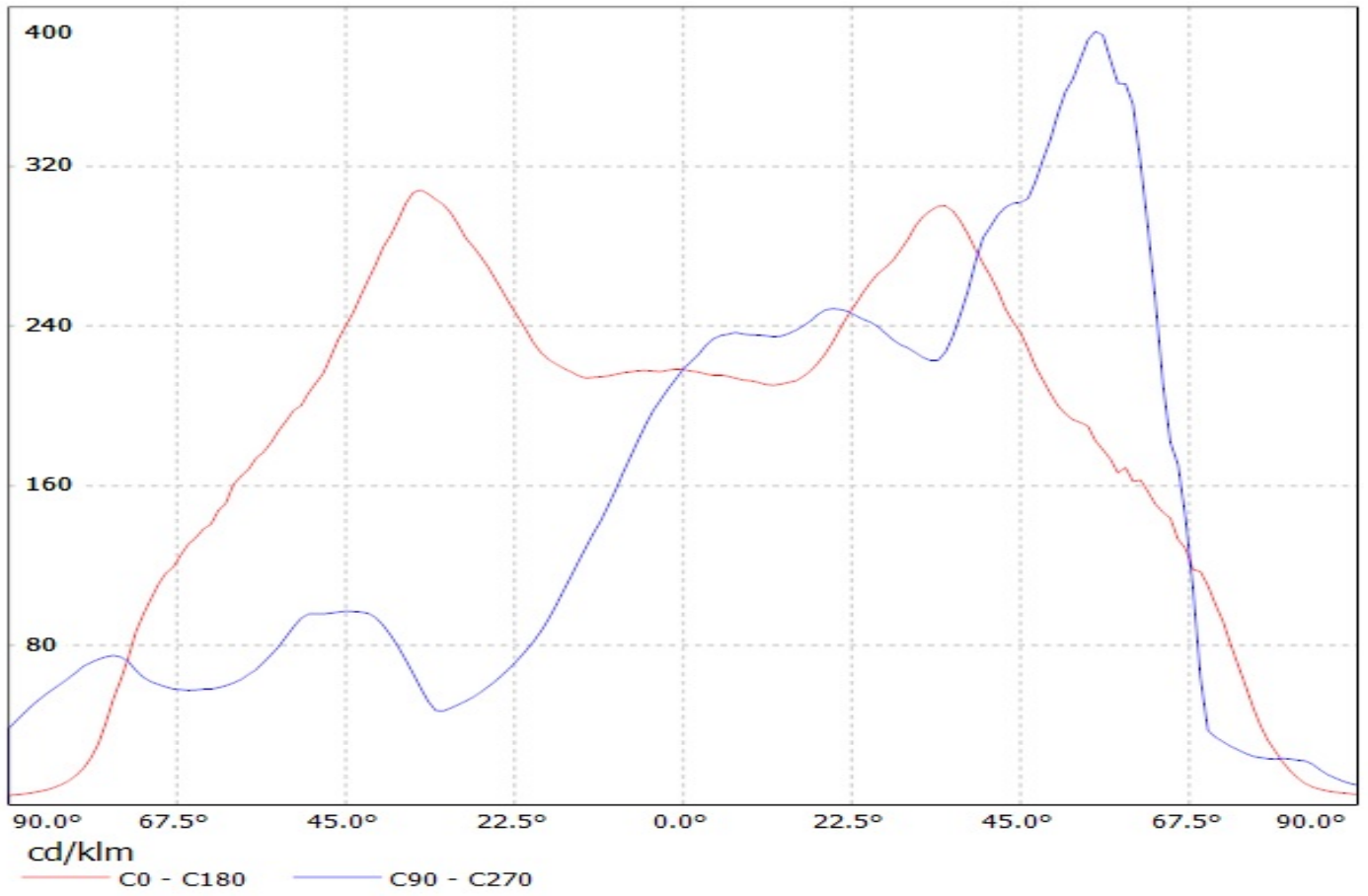


Luminaire: LEDiL Oy CA14032_STRADA-SQ-T4_(XHP50_cool_white)

Lamps: 1 x CREE_XHP50_cool_white_246.221lm@250mA_P=1.42945W_I=249.9mA



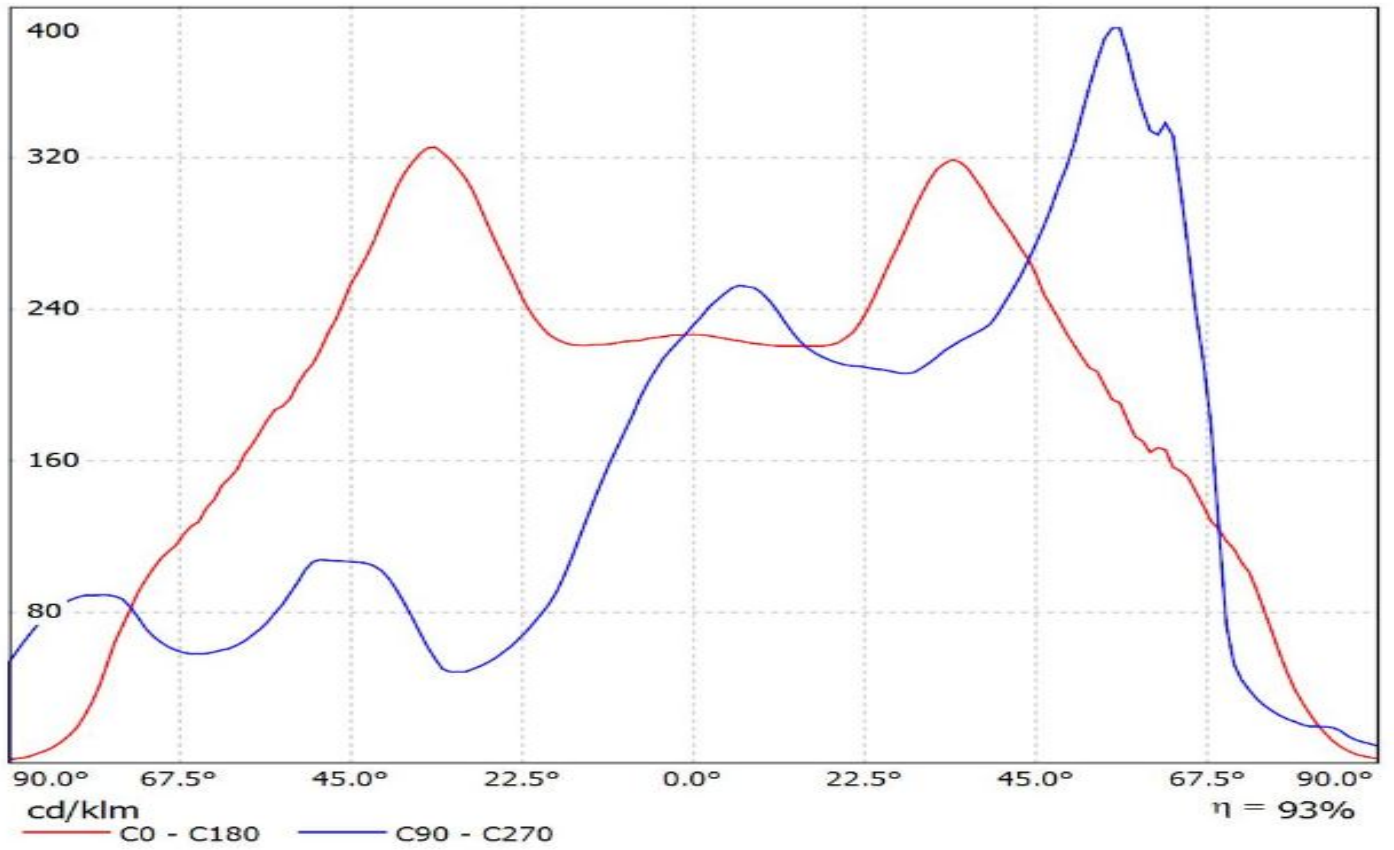
Luminaire: LEDiL Oy CA14032_STRADA-SQ-T4_(Luxeon_MZ) Eff: 93%
Lamps: 1 x Luxeon_MZ_263.325lm@250mA_P=2.7414W_I=249.9mA



Ledil CA14032_STRADA-SQ-T4_(Luxeon_TX) / LDC (Linear)

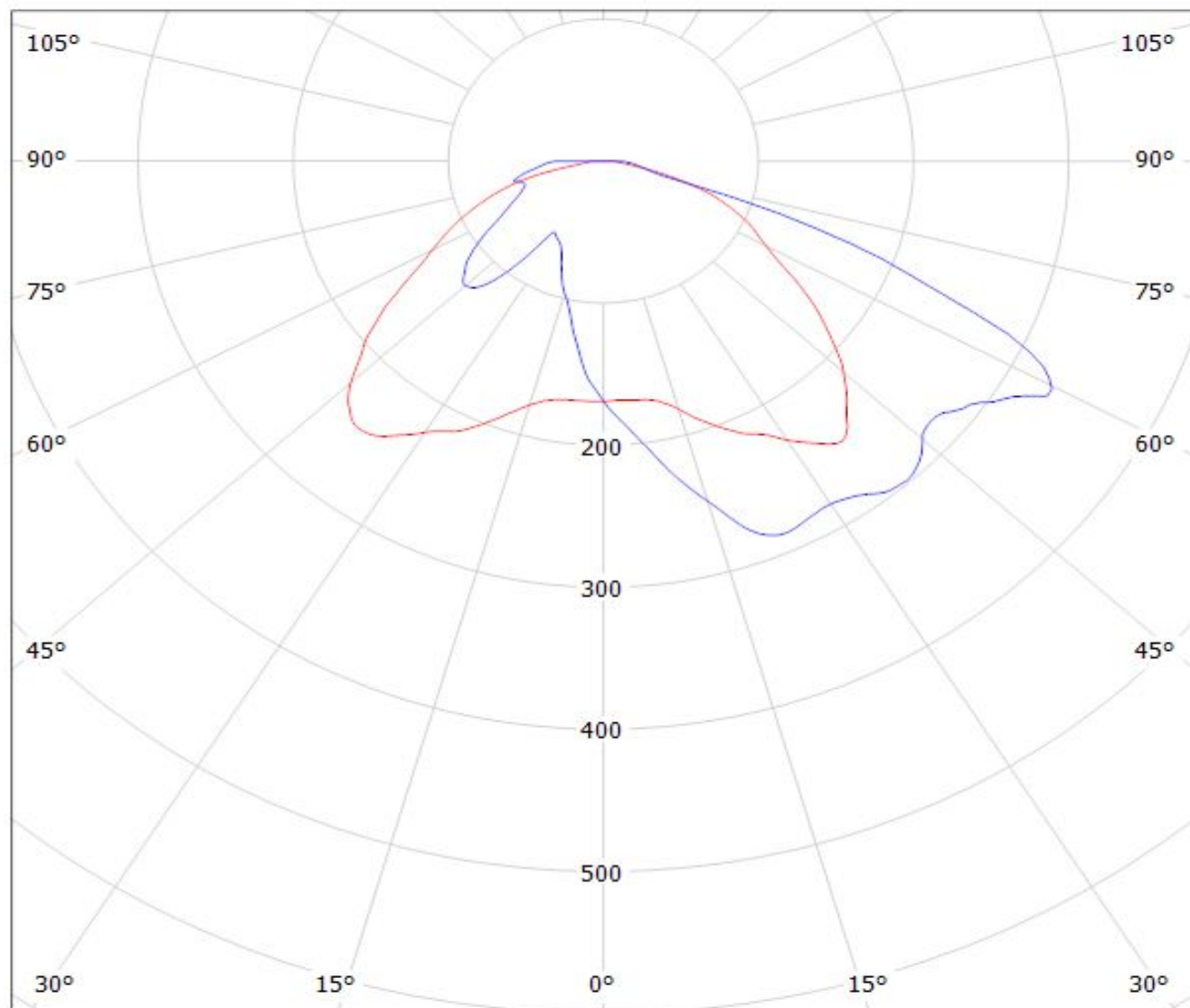
Luminaire: Ledil CA14032_STRADA-SQ-T4_(Luxeon_TX)

Lamps: 1 x Luxeon_TX_(L1T2-3585)_83.3206lm@250mA_CCT=3554K_P=0.74W_I=0.25A



Luminaire: LEDiL Oy STRADA-SQ-T4_(MK-R)

Lamps: 1 x CREE_MK-R_356.736lm@250mA_P=2.83786W_I=249.9mA

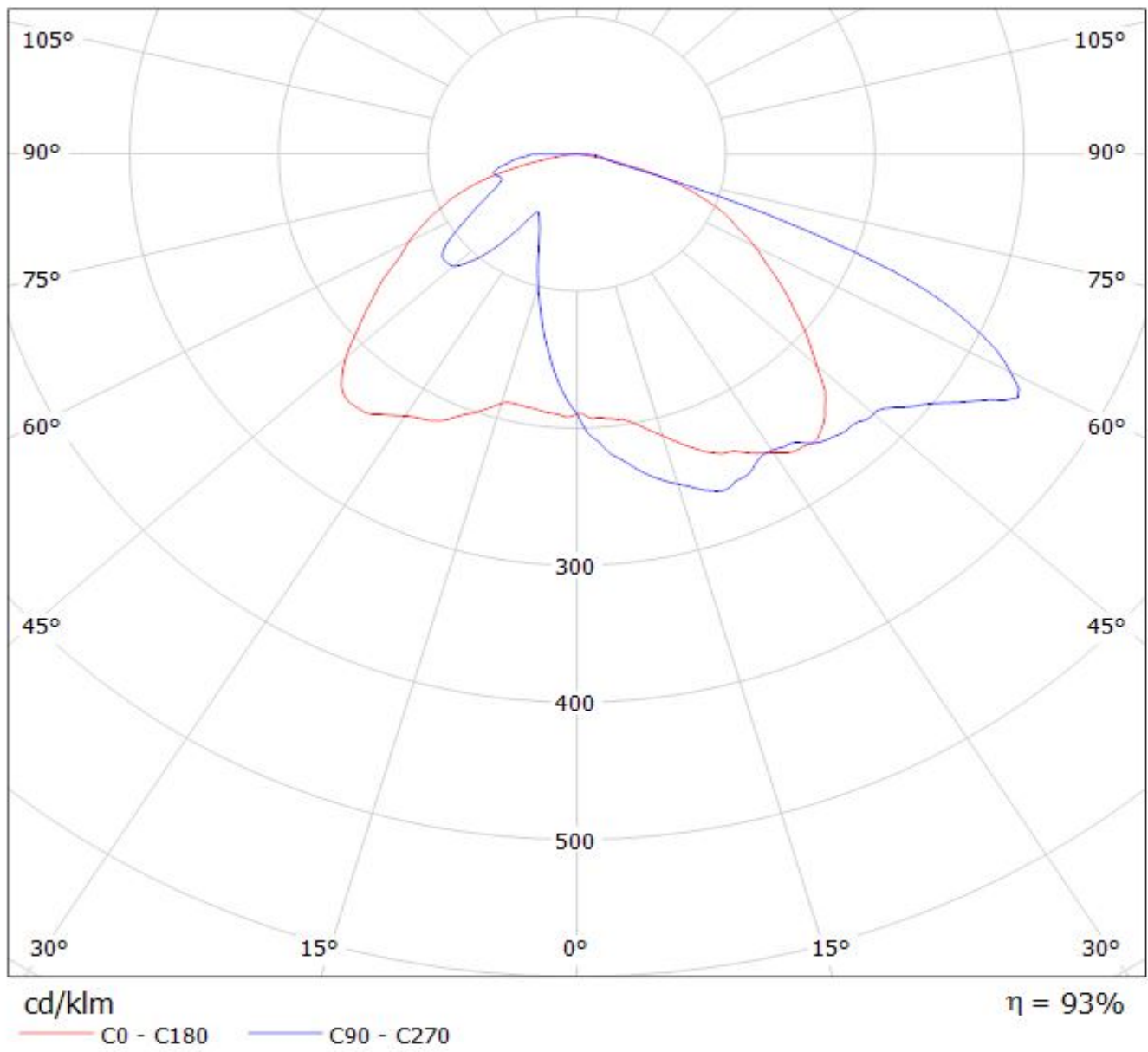


cd/klm

— C0 - C180 — C90 - C270

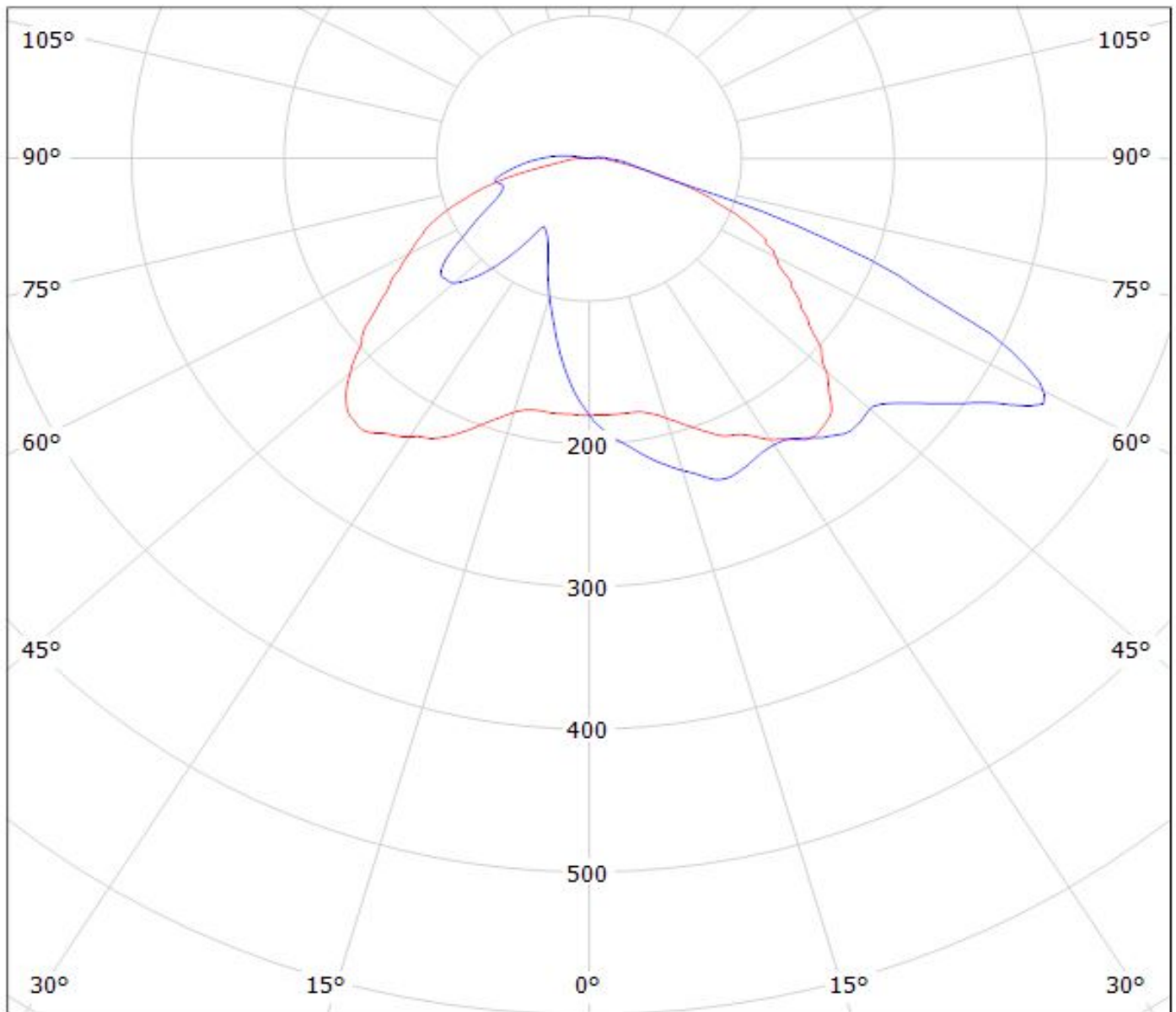
$\eta = 91\%$

Luminaire: LEDiL Oy STRADA-SQ-T4_(LuxM)
Lamps: 1 x Luxeon M LXR7-SW30 355lm@250mA P:2.8W



Luminaire: LEDiL Oy CA14032_STRADA-SQ-T4_(XHP50_cool_white)

Lamps: 1 x CREE_XHP50_cool_white_246.221lm@250mA_P=1.42945W_I=249.9mA



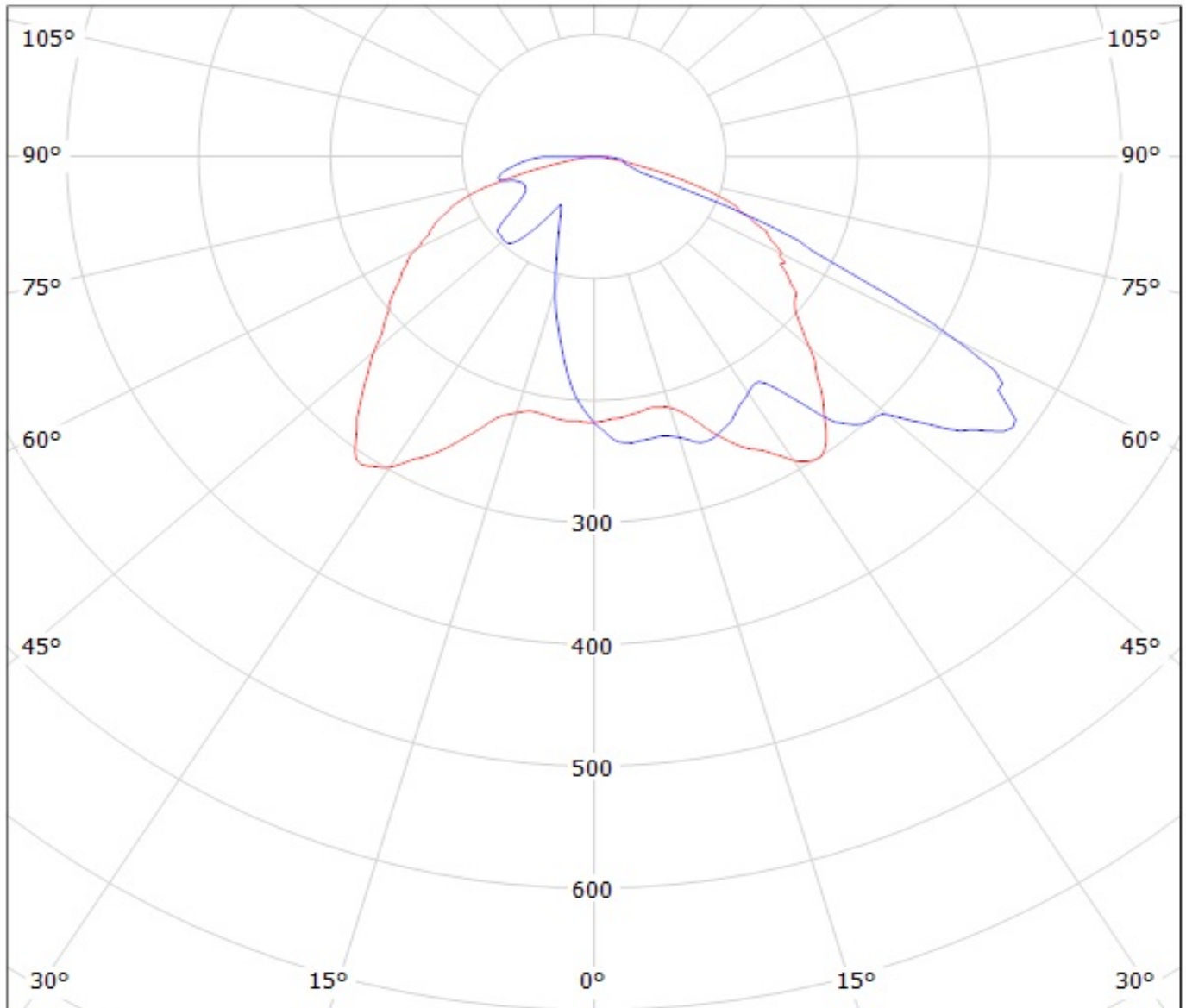
cd/klm

— C0 - C180

— C90 - C270

$\eta = 93\%$

Luminaire: LEDiL Oy CA14032_STRADA-SQ-T4_(Luxeon_MZ) Eff: 93%
Lamps: 1 x Luxeon_MZ_263.325lm@250mA_P=2.7414W_I=249.9mA

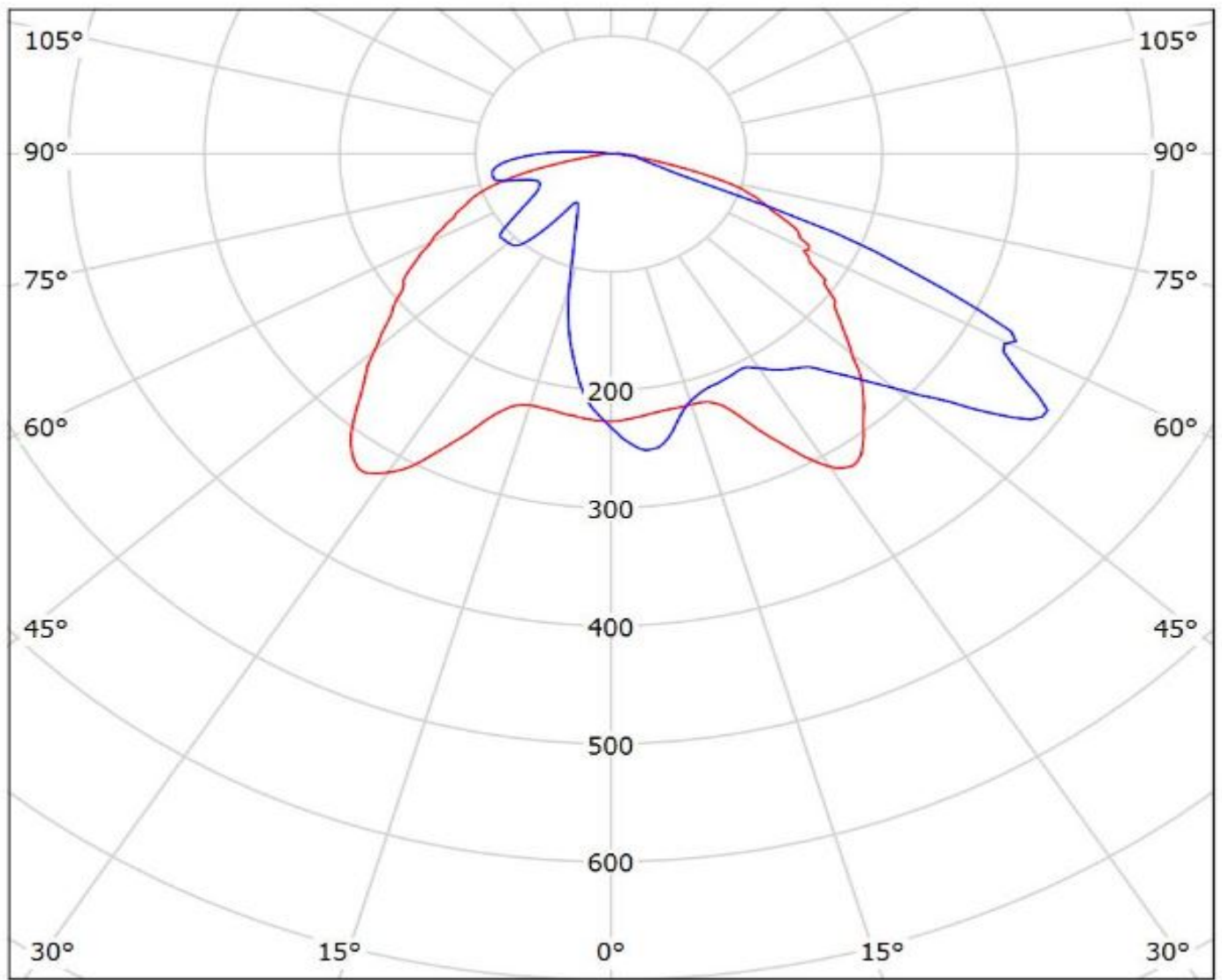


cd/klm
— C0 - C180 — C90 - C270

Ledil CA14032_STRADA-SQ-T4_(Luxeon_TX) / LDC (Polar)

Luminaire: Ledil CA14032_STRADA-SQ-T4_(Luxeon_TX)

Lamps: 1 x Luxeon_TX_(L1T2-3585)_83.3206lm@250mA_CCT=3554K_P=0.74W_I=0.25A



cd/klm

— C0 - C180 — C90 - C270

$\eta = 93\%$

NOTE: The typical divergence will be changed by different color, chip size and chip position tolerance. The typical total divergence is the full angle measured where the luminous intensity is half of the peak value.