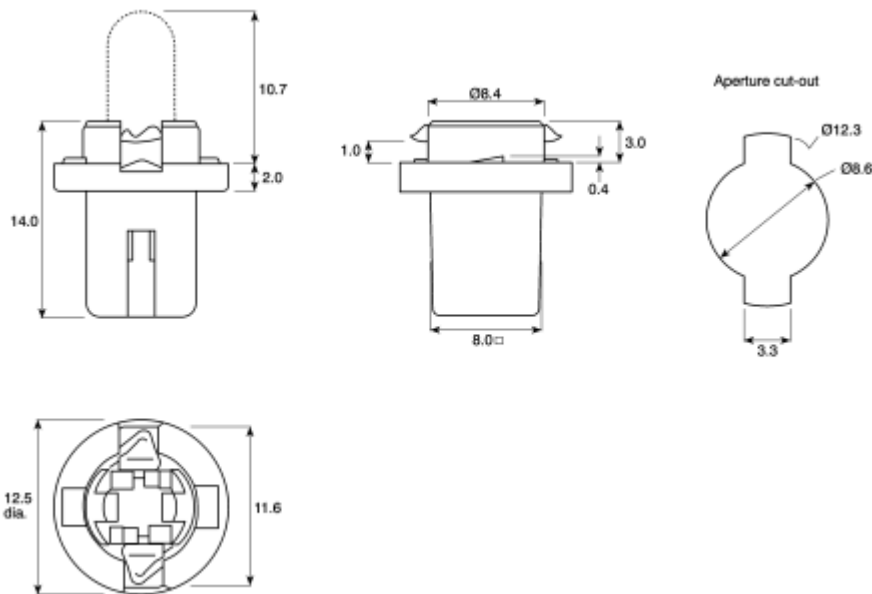


## Datasheet

# T1 1/2 5mm twistlock wedge lampholder

RS Stock number [811-715](#)

Dimensions: mm



## Specification

T1 (5mm) Wedge Base Lamp holder

Lamp holder moulded from thermoplastic with 20% glass fibre. Designed for circuit board mounting contact is made to both sides of the circuit board via the lugs (for circuit board thickness  $1.5\text{mm} \pm 0.1\text{mm}$ ).