



ISSUE 9; August 2014 - RoHS 2011/65/EU

Description

- Industry standard SMD package with 5.5mm lead spacing
- Suitable for real time clock applications
- Plastic encapsulated

Frequency Parameters

- Frequency: 32.768kHz
- Frequency Tolerance: ±20.00ppm
- Ageing: ±5ppm max per year @ 25°C

Electrical Parameters

- Load Capacitance (CL): 6.0pF to 12.5pF
- Shunt Capacitance (C0): 1pF typ
- Drive Level: 1.0µW max

Operating Temperature Ranges

- 40 to 85°C

Environmental Parameters

- Storage Temperature Range: -55 to 125°C
- Drop: 75cm drop (3 times) onto hard wooden board
- Vibration: 1.5mm amplitude, 10Hz-60Hz, 2-3mins in 3 mutually perpendicular planes, duration 2hrs each plane

Manufacturing Details

- Not suitable for use with ultrasonic cleaning techniques

Ordering Information

- Frequency*
Model*
Frequency Tolerance (@25°C)*
Load Capacitance*
- Example
32.768kHz 85SMX
20/-/12.5

Compliance

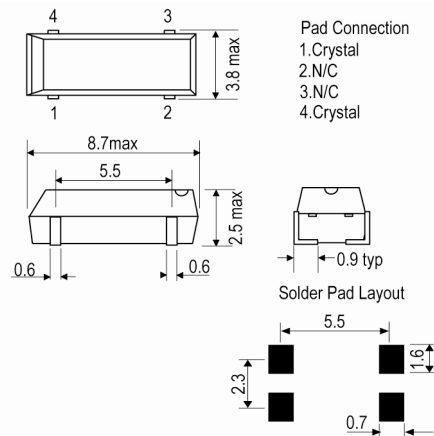
- RoHS Status: Compliant
- REACH Status: Compliant
- MSL Rating (JEDEC-STD-033): Not Applicable

Packaging Details

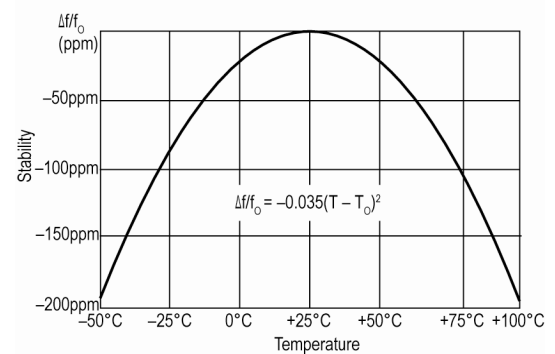
- Pack Style: Reel: Tape & reel in accordance with EIA-481-D
Pack Size: 3,000
- Pack Style: Cutt: In tape, cut from a reel
Pack Size: 1
- Pack Style: Bulk: Loose in bulk pack
Pack Size: 100



Outline (mm)



Typical Frequency Stability Characteristics



Sales Office Contact Details:

UK: +44 (0)1460 270200
Germany: +49 (0) 30 408 192 300

France: +33 (0)5 34 50 91 18
USA: +1 408.273.4530

Email: info@iqdfrequencyproducts.com
Web: www.iqdfrequencyproducts.com



Electrical Specification - maximum limiting values

Frequency	Temperature Range	Stability	Over Tone Order	ESR
	°C	ppm		Ω
32.768000kHz	-40 to 85	-	Fundamental	50,000

Sales Office Contact Details:

UK: +44 (0)1460 270200

Germany: +49 (0) 30 408 192 300

France: +33 (0)5 34 50 91 18

USA: +1 408.273.4530

Email: info@iqdfrequencyproducts.com

Web: www.iqdfrequencyproducts.com