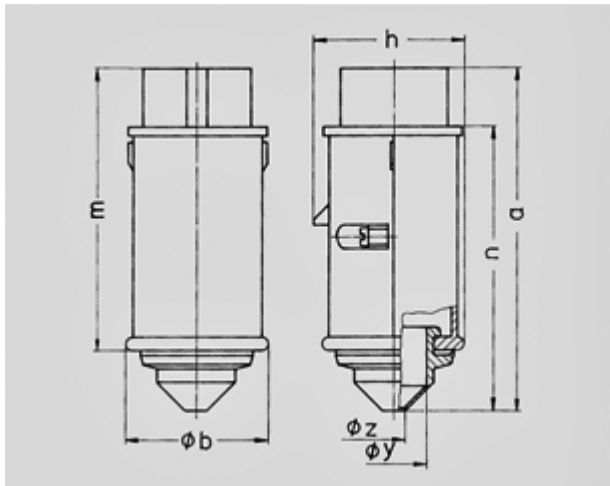


Plug - Part no. 636A


- screw terminals
- with grommet

| | |
|-----------------------|-----------------|
| Protection type | IP 44 |
| Ampere | 16 A |
| Poles | 3p |
| Voltage | 20-25 |
| Hertz | 50-60Hz |
| Earth position | 0h |
| Contact | standard |
| Connection technology | Screw terminals |

Std. Pack. 10 Qty.



| Drawing | Amp. | 16 | | 32 | |
|--------------------------------------|-------|-----|-----|-----|-----|
| | | 2 | 3 | 2 | 3 |
| 2 MB 159 | Poles | | | | |
| Dim. in mm | a | 130 | 130 | 130 | 130 |
| | b | 55 | 55 | 55 | 55 |
| | h | 58 | 58 | 58 | 58 |
| | m | 108 | 108 | 108 | 108 |
| | n | 107 | 107 | 107 | 107 |
| | y | 25 | 25 | 25 | 25 |
| | z | 9 | 9 | 9 | 9 |
| Terminal for cond. cross | | 4 | 4 | 4 | 4 |
| section (mm ²) min.-max. | | -10 | -10 | -10 | -10 |