



Ordering number F11947_JULIA-A

Family	Julia	FWHM	84+156 degrees
Type	Lens	Efficiency	90 %
LED	NCSxx19A	cd/lm	0.240
Color	Clear	Gerber File	Available
Diameter	18.86 mm		
Height	4.66 mm		
Style	Round		http://www.ledil.fi/Julia_Uniform_Wide_Angle_Illumination_-_Id
Optic Material	PMMA		
Holder Material	-		
Fastening	Pin, glue		
Status	Ready		

Ordering number FA11948_JULIA-A

Family	Julia	FWHM	84+156 degrees
Type	Assembly	Efficiency	90 %
LED	NCSxx19A	cd/lm	0.240
Color	Clear	Gerber File	Available
Diameter	18.8 mm		
Height	4.81 mm		
Style	Round		http://www.ledil.fi/Julia_Uniform_Wide_Angle_Illumination_-_Id
Optic Material	PMMA		
Holder Material	-		
Fastening	Pin, tape		
Status	Ready		

NOTE: The typical divergence will be changed by different color, chip size and chip position tolerance. The typical total divergence is the full angle measured where the luminous intensity is half of the peak value.



PRODUCT DATASHEET

Julia series

last update 13/11/2012



GENERAL INFORMATION

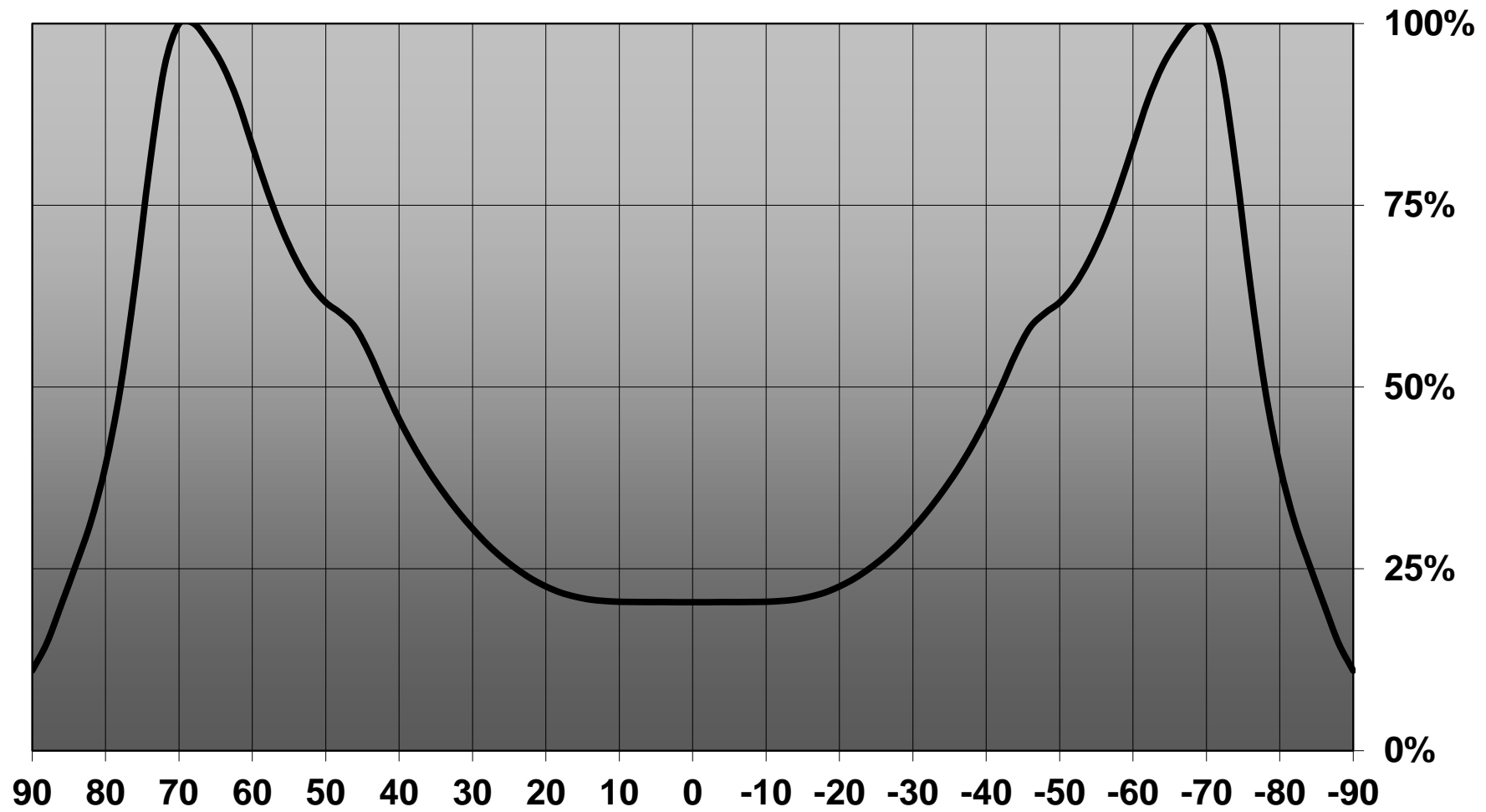
- Product series especially designed & optimized for NCSxx19A series of LEDs.
- Special care taken to make light distribution as uniform as possible.
- Lens material optical grade PMMA with high UV and temperature resistance. Allows use of high current and temperature conditions.

Please find more information about used material from below:

http://ledil.fi/sites/default/files/Documents/Technical/Material/PMMA%20N%20UL94_Yellow%20Card.pdf

<http://ledil.fi/sites/default/files/Documents/Technical/Material/PMMA%20N%20PLEXIGLAS-Datasheet.pdf>

Relative intensity of FA11948_Julia-A-NCS19-tape

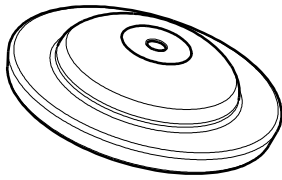


D

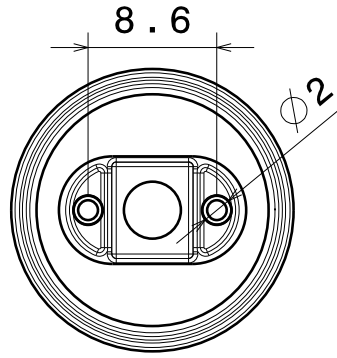
C

B

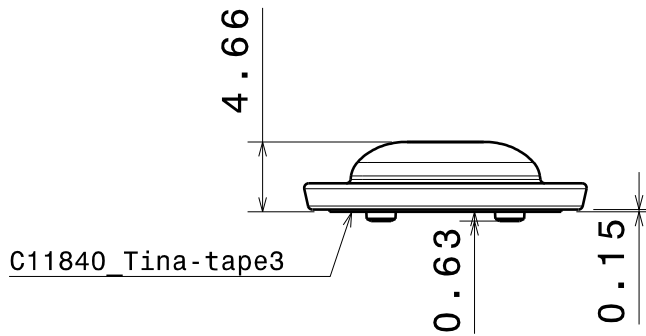
A



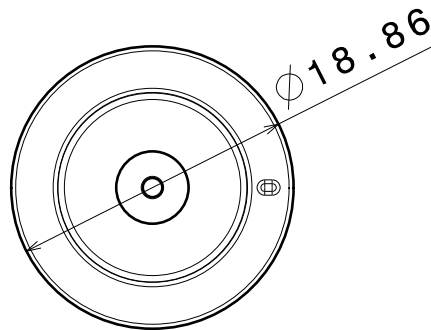
Isometric view



Bottom view



Front view



Top view

Material: PMMA

Part no.s:
 Lens: F11947_Julia-A
 Assembly: FA11948_Julia-A-tape
 (F11947_Julia-A + C11840_Tina-tape3)

This drawing is our property.
 It can't be reproduced
 or communicated without
 our written agreement.



Ledil Oy
 Tehdaskatu 13
 FIN-24100 SALO
 Finland

DRAWING TITLE

Datasheet Julia-A Lens

DRAWN BY

mav

DATE

07.01.2011

CHECKED BY

tk

DATE

07.01.2011

SIZE

A4

DRAWING NUMBER

F11947

REV

1

DESIGNED BY

ol

DATE

20.12.2010

SCALE

2:1

WEIGHT (g)

SHEET

1/1

D

A

4

4

3

3

2

2

1

1