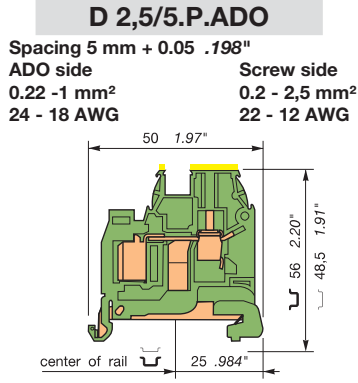


Terminal blocks
Insulation displacement
Ground terminal blocks
 electrically connected to the mounting rail
ADO - Screw-clamp

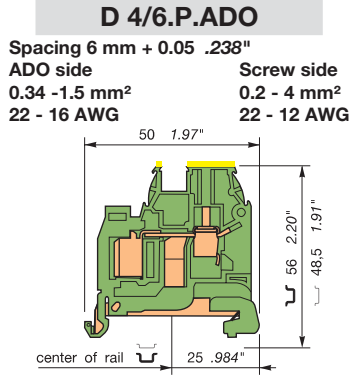


refer to the section "Special Applications" for part numbers and characteristics.

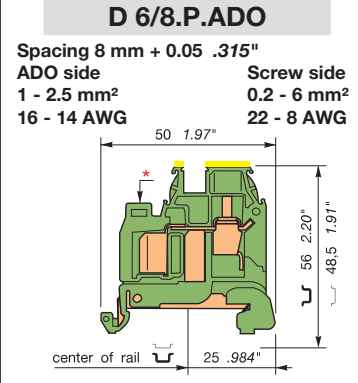
Characteristics and accessories, refer to standard ADO - Screw clamp terminal blocks.
 * Black marking for wire size 1-2.5 mm² (16-14 AWG)



Type	P/N
Green body / Yellow marking	
D2,5/5.P.ADO	1SNA 399 030 R0500



Type	P/N
Green body / Yellow marking	
D4/6.P.ADO	1SNA 199 050 R0100



Type	P/N
Green body / Yellow marking	
D6/8.P.ADO	1SNA 199 118 R2600

Characteristics

Wire size	Screw	Rigid Flexible	IEC		UL/CSA	
			NFC	DIN	NFC	DIN
1	ADO	Rigid	0,2-4 mm ²		22-12 AWG	
		Flexible	0,22-2,5 mm ²		22-12 AWG	
2	ADO	Rigid	0,2-1 mm ²		24-18 AWG	
		Flexible	0,22-1 mm ²		24-18 AWG	
Rated current			120 A/1 s.		180 A/1 s.	
Rated wire size			1 mm ²		1,5 mm ²	
Other characteristics			Wire stripping length: 9,5 mm .37"	Recommended screwdriver: 3,5 mm .137"	Recommended torque: 0,4-0,6 Nm 3.5-5.3 lb.in	Protection: IP20 NEMA 1

Wire size	Screw	Rigid Flexible	IEC		UL/CSA	
			NFC	DIN	NFC	DIN
1	ADO	Rigid	0,2-4 mm ²		22-10 AWG	
		Flexible	0,22-2,5 mm ²		22-10 AWG	
2	ADO	Rigid	0,34-1,5 mm ²		22-16 AWG	
		Flexible	0,34-1,5 mm ²		22-16 AWG	
Rated current			180 A/1 s.		300 A/1 s.	
Rated wire size			1,5 mm ²		2,5 mm ²	
Other characteristics			Wire stripping length: 9,5 mm .37"	Recommended screwdriver: 4 mm .16"	Recommended torque: 0,5-0,8 Nm 4.4-7.1 lb.in	Protection: IP20 NEMA 1

Wire size	Screw	Rigid Flexible	IEC		UL/CSA	
			NFC	DIN	NFC	DIN
1	ADO	Rigid	0,2-10 mm ²		22-8 AWG	
		Flexible	0,22-6 mm ²		22-8 AWG	
2	ADO	Rigid	4 mm ²		12 AWG	
		Flexible	4 mm ²		12 AWG	
Rated current			480 A/1 s.		12AWG	
Rated wire size			4 mm ²		12AWG	
Other characteristics			Wire stripping length: 12 mm .47"	Recommended screwdriver: 4 mm-.5 mm .16"-.2"	Recommended torque: 0,8-1 Nm 7.1-8.9 lb.in	Protection: IP20 NEMA 1

Wire size	Screw	Rigid Flexible	IEC		UL/CSA	
			NFC	DIN	NFC	DIN
1	ADO	Rigid	0,2-4 mm ²		22-10 AWG	
		Flexible	0,22-4 mm ²		22-10 AWG	
2	ADO	Rigid	0,28-1,5 mm ²		22-16 AWG	
		Flexible	0,34-1,5 mm ²		22-16 AWG	
Rated current			180 A/1 s.		300 A/1 s.	
Rated wire size			1,5 mm ²		2,5 mm ²	
Other characteristics			Wire stripping length: 9,5 mm .37"	Recommended screwdriver: 4 mm-.5 mm .16"	Recommended torque: 0,5-0,8 Nm 4.4-7.1 lb.in	Protection: IP20 NEMA 1

Approvals

Accessories

Type	P/N
1 End section yellow	FEDAD1 V0 th. 3 mm 1SNA 199 339 R0300
1 End section grey	FEDAD1 V0 th. 3 mm 1SNA 199 336 R2000
R See section on marking Marking mode	RC55 RC510 RTM7

Type	P/N
1 End section yellow	FEDAD1 V0 th. 3 mm 1SNA 199 339 R0300
1 End section grey	FEDAD1 V0 th. 3 mm 1SNA 199 336 R2000
R See section on marking Marking mode	RC65 RC610 RTM7

Type	P/N
1 End section yellow	FEDAD1 V0 th. 3 mm 1SNA 199 339 R0300
1 End section grey	FEDAD1 V0 th. 3 mm 1SNA 199 336 R2000
R See section on marking Marking mode	RTM7 RC810 RCAL85

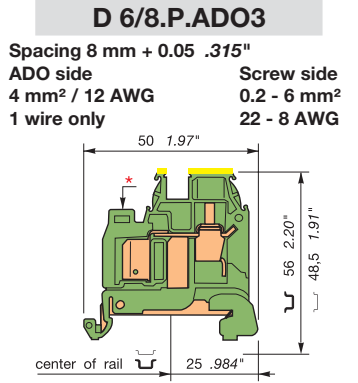
Type	P/N
1 End section yellow	FEDAD1 V0 th. 3 mm 1SNA 199 339 R0300
1 End section grey	FEDAD1 V0 th. 3 mm 1SNA 199 336 R2000
R See section on marking Marking mode	RTM7 RC810 RCAL85

Terminal blocks
Insulation displacement
Ground terminal blocks
 electrically connected to the mounting rail
ADO - Screw-clamp



refer to the section "Special Applications" for part numbers and characteristics.

Characteristics and accessories, refer to standard ADO - Screw clamp terminal blocks.
 * white marking for wire size 2.5-4 mm² (14-12 AWG)



Type	P/N
Green body / Yellow marking	
D6/8.P.ADO3	1SNA 399 251 R1300

Characteristics

Wire size	Screw	Rigid Flexible	IEC		UL/CSA	
			NFC	DIN	NFC	DIN
1	ADO	Rigid	0,2-10 mm ²		22-8 AWG	
		Flexible	0,22-6 mm ²		22-8 AWG	
2	ADO	Rigid	4 mm ²		12 AWG	
		Flexible	4 mm ²		12 AWG	
Rated current			480 A/1 s.		12AWG	
Rated wire size			4 mm ²		12AWG	
Other characteristics			Wire stripping length: 12 mm .47"	Recommended screwdriver: 4 mm-.5 mm .16"-.2"	Recommended torque: 0,8-1 Nm 7.1-8.9 lb.in	Protection: IP20 NEMA 1

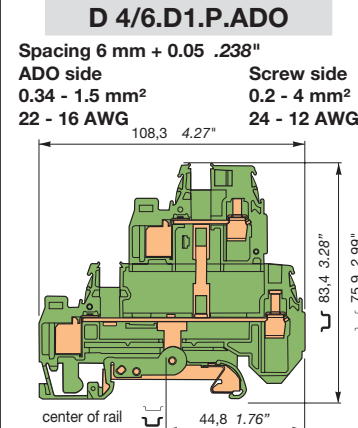
Characteristics

Wire size	Screw	Rigid Flexible	IEC		UL/CSA	
			NFC	DIN	NFC	DIN
1	ADO	Rigid	0,2-4 mm ²		22-8 AWG	
		Flexible	0,22-4 mm ²		22-8 AWG	
2	ADO	Rigid	0,28-1,5 mm ²		22-16 AWG	
		Flexible	0,34-1,5 mm ²		22-16 AWG	
Rated current			180 A/1 s.		1,5 mm ²	
Rated wire size			1,5 mm ²		1,5 mm ²	
Other characteristics			Wires tripping length: 9,5 mm .37"	Recommended screwdriver: 4 mm .16"	Recommended torque: 0,5-0,8 Nm 4.4-7.1 lb.in	Protection: IP20 NEMA 1

Double deck terminal blocks
Insulation displacement
Ground terminal blocks
 electrically connected to the mounting rail
ADO - Screw-clamp



Characteristics and accessories, refer to standard ADO - Screw clamp terminal blocks.



Type	P/N
Green body / Yellow marking	
D 4/6.D1.P.ADO	1SNA 399 931 R2500

Approvals

Accessories

Type	P/N
1 End section yellow	FEDAD1 V0 th. 3 mm 1SNA 199 339 R0300
1 End section grey	FEDAD1 V0 th. 3 mm 1SNA 199 336 R2000
R See section on markers Marking method	RTM7 RC810 RCAL85

Type	P/N
1 End section yellow	FEDAD1 V0 th. 3 mm 1SNA 199 339 R0300
1 End section grey	FEDAD1 V0 th. 3 mm 1SNA 199 336 R2000
R See section on markers Marking method	RTM7 RC610 RTM7

Type	P/N
1 End section yellow	FEDAD1 V0 th. 3 mm 1SNA 199 339 R0300
1 End section grey	FEDAD1 V0 th. 3 mm 1SNA 199 336 R2000
R See section on markers Marking method	RC65 RC610 RTM7

Type	P/N
1 End section yellow	FED2AD1 V0 th. 3 mm 1SNA 199 417 R1200
1 End section grey	FED2AD1 V0 th. 3 mm 1SNA 199 417 R1200
R See section on markers Marking method	RC65 RC610 RTM7