

Air Suction Filter With One-touch Fittings Series ZFB

Prevents vacuum equipment trouble due to airborne contaminants.

Unrestricted 360° piping tube mounting.

The connector for the IN side is a universal joint type that enables a tube to be connected in any direction within 360°.

Easily replaced filter element

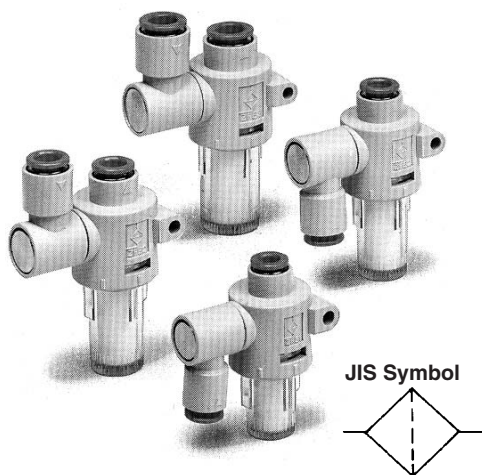
The filter element can be replaced quickly through one-touch removal of the transparent cover without having to disconnect the tubing.

Piping tube can be connected or disconnected with one touch.

The metric size tubing connector has a blue release bushing and the inch size tubing connector has a red release bushing.

Compact and lightweight

It has been made compact with composite formed resin.



Element Part No.

Part no.	Applicable filter model	Element size (mm)
I-34S-A	ZFB100	ø10 x ø6 x L33
	ZFB101	
I-35S-A	ZFB200	ø12 x ø8 x L42
	ZFB201	
I-36S-A	ZFB300	ø14 x ø10 x L45
	ZFB301	
I-39S-A	ZFB401	ø18 x ø14 x L60

Note) Spare elements and O-rings for the cover are sold in sets of 10 pieces each.

Model

Tubing size	Model	Port size (Applicable tubing O.D.)		Recommended air flow (l/min (ANR)) ⁽¹⁾	Weight (g)
		IN side	OUT side		
Metric size	ZFB100-04	ø4		10	22
	ZFB100-06	ø6		20	22
	ZFB200-06	ø6		30	30
	ZFB200-08	ø8		50	30
	ZFB300-08	ø8		75	39
	ZFB300-10	ø10		75	39
Metric size ⁽²⁾	ZFB101-05	ø 3/16"		20	22
	ZFB101-07	ø 1/4"		20	22
	ZFB201-07	ø 1/4"		30	30
	ZFB301-11	ø 3/8"		75	40
	ZFB401-13	ø 1/2"		100	62

Note 1) Flow rate is less than 0.003 MPa of the initial pressure drop.
Note 2) Will be manufactured upon receipt of order.
Note 3) Avoid use under pressurization.

Specifications

Fluid	Air, Nitrogen
Operating pressure	-100 to 0 kPa
Withstand pressure	0.5 MPa
Operating and ambient temperature range	0 to 60°C (No freezing)
Filtration	30 µm
Element differential pressure resistance	0.15 MPa
Applicable tubing material ^{Note)}	Nylon/Soft Nylon/Polyurethane

Note) Refer to page 13-10-6 for applicable tubing model.

How to Order

ZFB 100 — 04

Air suction filter with One-touch fittings

IN/OUT applicable tubing O.D.

Basic type		
Tubing size	Symbol	Flow (l/min (ANR))
Metric size (Release button: Blue)	100	MAX.20
	200	MAX.50
	300	MAX.75
Metric size (Release button: Red)	101	MAX.20
	201	MAX.30
	301	MAX.60
	401	MAX.100

Size	Symbol	Tubing size	Applicable model
Metric size	04	ø4	ZFB100
	06	ø6	ZFB100
			ZFB200
	08	ø8	ZFB200
10	ø10	ZFB300	
Inch size	05	ø 3/16"	ZFB101
	07	ø 1/4"	ZFB101
			ZFB201
	11	ø 3/8"	ZFB301
	13	ø 1/2"	ZFB401

Principal Parts Material

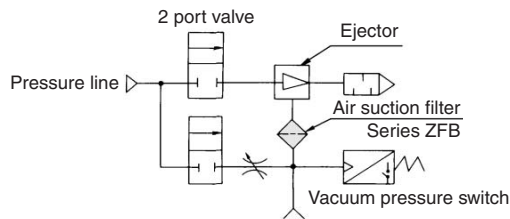
Description	Material
Body	Polyester
Clear cover	Special transparent nylon
Universal joint	Polyester
Plug	Brass (Electroless nickel plated)
Element	PVF
O-ring, Seal	NBR

Air Suction Filter With One-touch Fittings Series ZFB

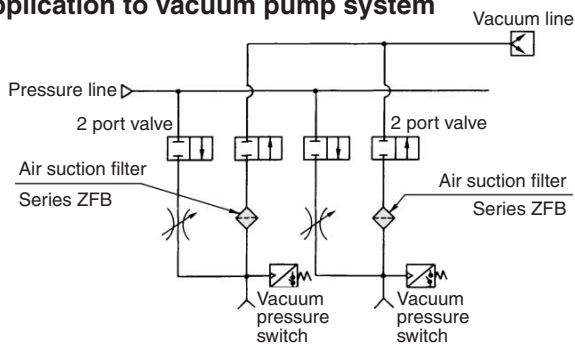
Application Example

Field: Semiconductor, electronics, automotive assembly, food processing and medical equipment, all types of manufacturing assembly equipment
Machinery: Robotic hand/material handling, automotive assembling machines, automatic transfer equipment, pick and place, printing machinery
Application: Vacuum adsorption transfer, vacuum adsorption retention, vacuum generated air flow

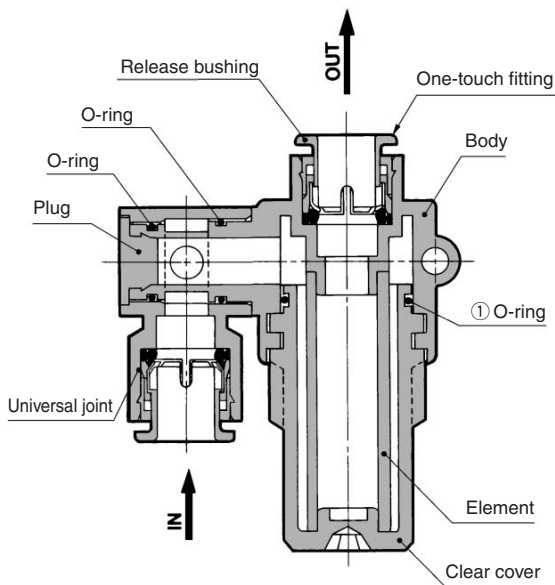
Application to ejector system



Application to vacuum pump system



Construction



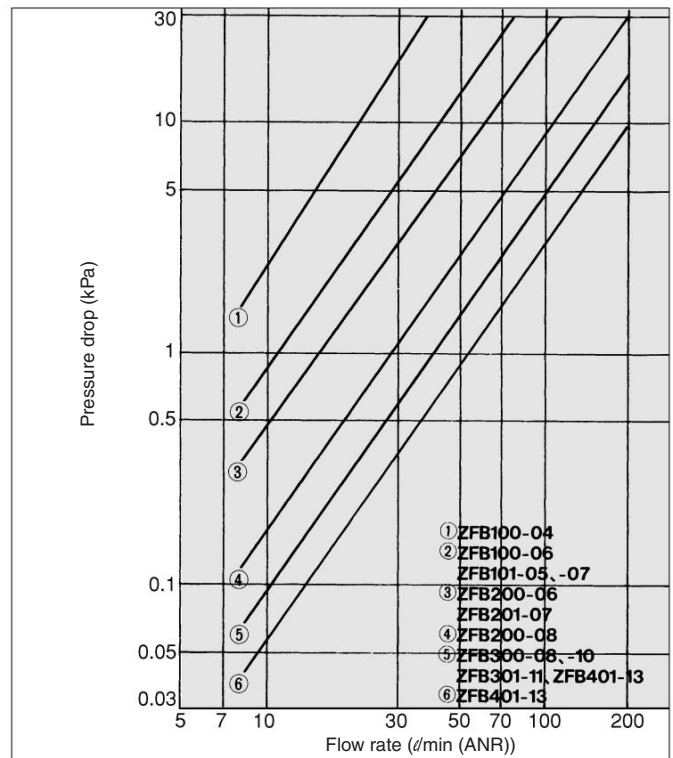
Replacement Parts

No.	Description	Part no.			
		ZFB100/101	ZFB200/201	ZFB300/301	ZFB401
①	O-ring for clear cover	S11.2	S12.5	S16	S18

* O-ring is a set with spare element (I-**S-A).

Flow Characteristics (Piping tube: Metric size, Inch size)

Fluid ——— Air Measured pressure ——— Downstream release to atmosphere (pressurized)
 Temperature — Room temperature



ZX
 ZR
 ZM
 ZH
 ZU
 ZL
 ZY
 ZQ
ZF
 ZP
 ZCU
 AMJ
 Misc.

⚠ Precautions

Be sure to read before handling. Refer to pages 13-15-3 to 13-15-4 for Safety Instructions and Common Precautions on the products mentioned in this catalog, and refer to page 13-1-5 for Precautions on every series.

Mounting

⚠ Warning

- To connect the tubing to the IN and OUT one-touch fitting, observe the precautions that are provided for using one-touch fittings.

⚠ Caution

- Verify the "▷" marks for IN and OUT that are indicated on the body to ensure a proper connection. It is not possible to ensure the sealing performance of the filter element if the connections are reversed.

Maintenance

⚠ Warning

- If the filter element becomes clogged, stop operation. After the internal pressure in the filter has reached atmospheric pressure, clean or replace the filter element.

⚠ Caution

- Replace the filter element when the pressure drops approximately 0.02 MPa.
- During disassembly or reassembly, make sure that the O-ring is not cut or damaged.

Selection

⚠ Warning

- Do not use it in a line that is kept pressurized because it could cause the body to break.

