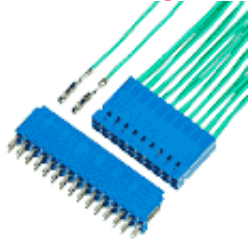


**76384-302LF - DUBOX™,Core
Range,Basics+ : Shrouded
Header, Single Row, Straight**



www.fci.com

Mating Half

▶ 65240-002LF

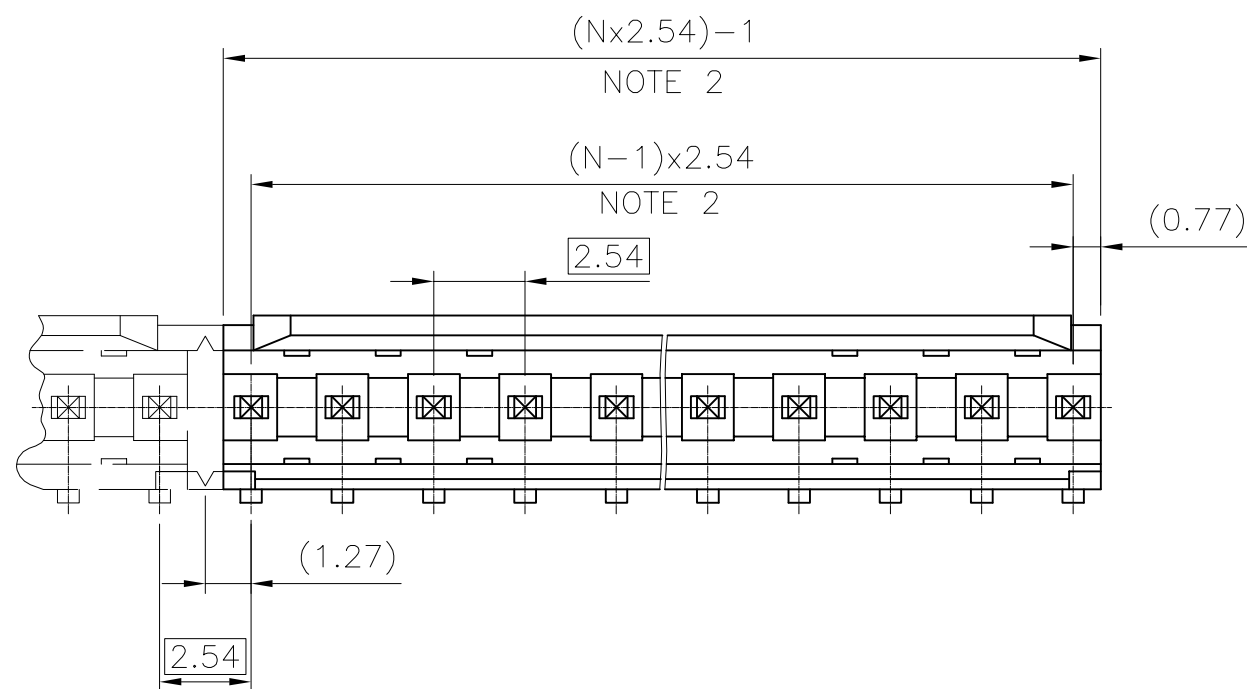
▶ 76347-301LF

Specifications

| | |
|----------------------------|--|
| General | |
| Number of contacts | 2 |
| Number of rows | 1 |
| Orientation | Vertical |
| Product Type | Shrouded Header |
| Contact series | 76347 76357 |
| Housing Style (Double row) | 65239 |
| Housing Style (Single row) | 65240 |
| Polarization (Key) | Yes |
| Mating half | Mates with Dubox CTW Housings and Contacts, Series 76347, 65239, 65240 |
| Series Number | 76384 |
| Dimensional | |
| Length (Mating pin) | 5 mm (0.197 in.) |
| Length (Tail) | 3.43 mm (0.135 in.) |
| Electrical | |
| Current rating | 3A Continuous |
| Resistance (Insulation) | 100000 M-ohms |
| Voltage rating | 1000V rms |
| Mounting | |
| Mounting style | Through Mount |
| Solder process | Wave Soldering |
| Physical | |
| Color (Housing) | Black |
| Material (Contact) | Phosphor Bronze |
| Material (Housing) | Glass - Filled Thermoplastic Polyester |

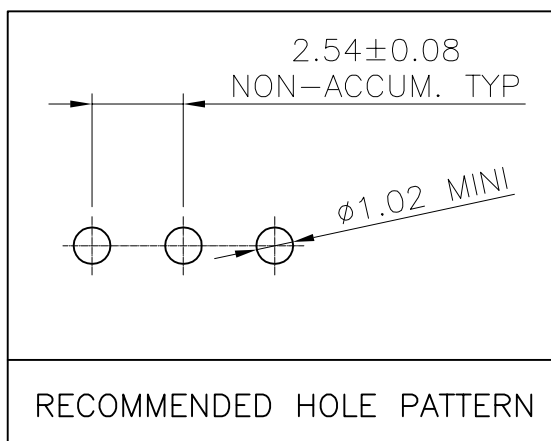
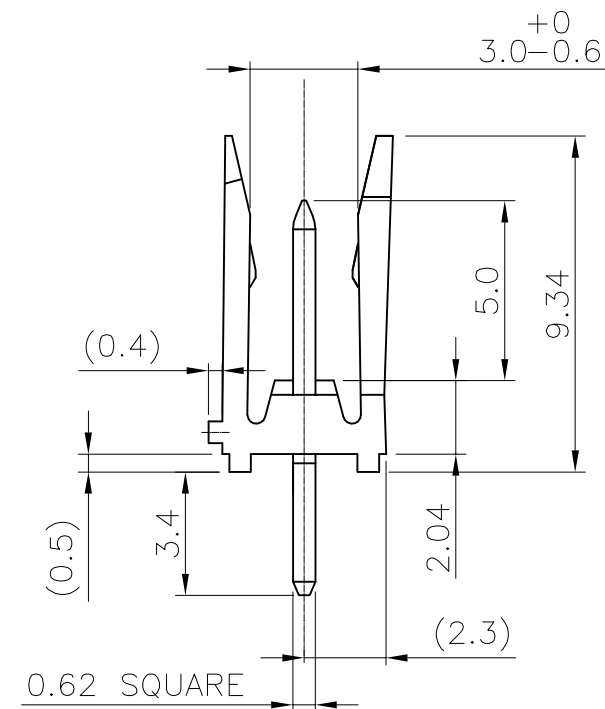
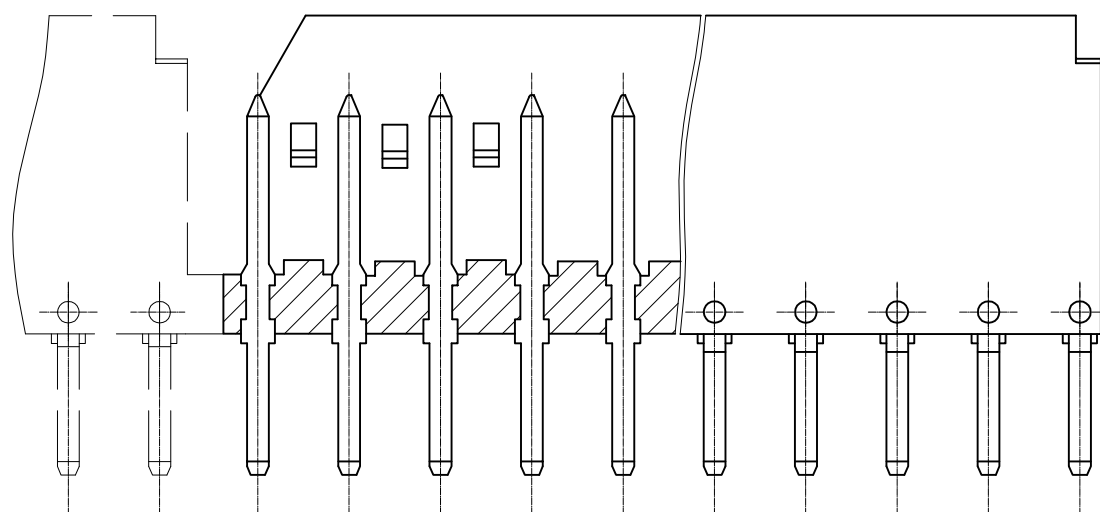
| | |
|--|-------------------------------|
| Plating (Contact area) Plating (Tail) | 0.76 µm (30 µin.) Gold Tin |
| Underplating | 1.27 µm (50 µin.) Nickel |
| Temperature (Operating - range) | -40°C to +125°C |
| Approvals / Certifications | |
| UL File Number | E66906 |
| CSA File Number | LR46923 |
| Approvals / Certifications | UL and CSA Approved |
| Other Features | |
| Packaging (Type) | Plastic Bag |

PRODUCT NUMBER
SEE SHEET 2



NOTES :

1. MINI PUSH-OUT FORCE TERMINAL IN BOTH DIRECTIONS 22N.
2. TO DETERMINE DIMENSIONS:
N = NUMBER OF POSITIONS PER ROW
EXAMPLE: 8 POS: $(N \times 2.54) - 1 = 19.32$ mm



| | | | | | | | |
|--------------------------|----------|------|----------|---------------------------------------|-------------------------------|------------------|---|
| mat'l. code SEE NOTES | | | | surface ISO 1302 | tolerance ISO 406 ISO 1101 | projection mm | product family DUBOX |
| ltr | ecn no | dr | date | tolerances unless otherwise specified | | | title SHR. HEADER STR SR TMT |
| N | F06-0228 | LMU | 06.07.11 | angles | .X ±0.3 | scale 5:1 | dwg no 76384 sheet 1 of 2 size A3 |
| P | F06-0319 | LMU | 06.11.10 | linear | .XX ±0.15 | | |
| R | F07-0147 | LMU | 07.03.01 | | .XXX ±0.05 | FCJ | type CUSTOMER Drawing |
| S | F07-0220 | J.CO | 07.06.14 | dr | D LEGRAND 99.03.03 | | |
| T | F08-0147 | YOV | 08.04.14 | enr | JM PHAMVAN 99.03.03 | | |
| M | F05-0159 | LMU | 05.03.31 | chr | JM PHAMVAN 99.03.03 | | |
| | | | | app | JM PHAMVAN 99.03.03 | | |
| sheet index | revision | T | E | | | | |
| | sheet | 1 | 2 | | | | |

STANDARD PRODUCT NUMBER

76384-YXX

PLATING CODE _____ NUMBER OF POSITIONS: 02 TO 18.

- 3= 0.76µm GOLD/GXT ON CONTACT AREA.
3.81µm TIN-LEAD ON TAIL OVER 1.27µm Ni MIN.
- 4= 3.81µm TIN LEAD OVER 1.27µm Ni MIN

NOTES:

- 1 - HOUSING MAT'L: THERMOPLASTIC GLASS FILLED
FLAME RETARDANT PER UL 94 V-0 COLOR: BLUE.
- 2 - TERMINAL MATERIAL: COPPER ALLOY.
- 3 - 2 UP TO 6 POSITIONS, PRODUCT PACKED IN PLASTIC BAG.
7 UP TO 18 POSITIONS, PRODUCT PACKED IN TUBE.
- 4 - ONLY DASH NUMBER -X02 AND -X03
ALWAYS TEN (10) PRODUCTS MOLDED ASSEMBLY
& DELIVERY TOGETHER ACCORDING PHANTOM LINES.

RoHS COMPLIANT PRODUCT NUMBER

76384-YXXLF

PLATING CODE _____

- 3= 0.76µm GOLD/GXT ON CONTACT AREA.
2µm MIN MATTE TIN ON TAIL.
OVER 1.27µm Ni MIN
- 4= 2µm MIN MATTE TIN
OVER 1.27µm Ni MIN

SUFFIX LETTER "LF" INDICATES THE PRODUCT IS RoHS COMPLIANT, SEE NOTE 5

NUMBER OF POSITIONS: 02 TO 18

NOTES:

- 1 - HOUSING MAT'L: THERMOPLASTIC GLASS FILLED
FLAME RETARDANT PER UL 94 V-0 COLOR: BLACK.
- 2 - TERMINAL MATERIAL: COPPER ALLOY.
- 3 - 2 UP TO 6 POSITIONS, PRODUCT PACKED IN PLASTIC BAG.
7 UP TO 18 POSITIONS, PRODUCT PACKED IN TUBE.
- 4 - ONLY DASH NUMBER -X02 AND -X03
ALWAYS TEN (10) PRODUCTS MOLDED ASSEMBLY
& DELIVERED ON STRIP ACCORDING PHANTOM LINES.
- 5 - RoHS COMPATIBLE PRODUCT SPECIFICATIONS
 - a - PLATING:
 - "LF" MEANS THE PRODUCT IS LEAD-FREE,
2µm MINIMUM MATTE TIN OVER 1.27µm
MINIMUM NICKEL UNDERPLATE.
 - b - MANUFACTURING PROCESS COMPATIBILITY
 - THE HOUSING WILL WITHSTAND EXPOSURE TO
260°C ±5°C SOLDER BATH TEMPERATURE FOR
5 SECONDS IN A WAVE SOLDER APPLICATION
WITH A 1.6mm MIN THICK CIRCUIT BOARD.
 - c - LABELING:
 - MEETS PACKAGING SPECS AS PER GS-14-920
 - d - LEGAL STATEMENT: SEE GS-22-008



Copyright FCI

| | | | | | | | |
|--------------------------|----------------|-----|----------|---------------------------------------|-------------------------------|----------------|------------------------------------|
| mat'l. code SEE NOTES | | | | surface ISO 1302 | tolerance ISO 406 ISO 1101 | projection | product family DUBOX |
| ltr | ecn no | dr | date | tolerances unless otherwise specified | | mm | title SHR. HEADER STR SR TMT |
| A | F05-0159 | LMU | 05.03.31 | angles | .X ±0.3 | | |
| B | F06-0228 | LMU | 06.07.11 | linear | .XX ±0.15 | | |
| C | F07-0147 | LMU | 07.03.01 | | .XXX ±0.05 | scale 5:1 | |
| D | F07-0220 | JCO | 07.06.14 | dr | L.MULIN 05.03.25 | | dwg no 76384 |
| E | F08-0147 | YOY | 08.04.14 | enr | J.COMPAGNON 05.03.25 | | sheet 2 of A3 |
| | | | | chr | | | type CUSTOMER Drawing |
| | | | | appd | JM.C 05.03.25 | | |
| sheet index | revision sheet | | | | | | |