



DIAMOND BLADES

Asphalt & Abrasive Materials

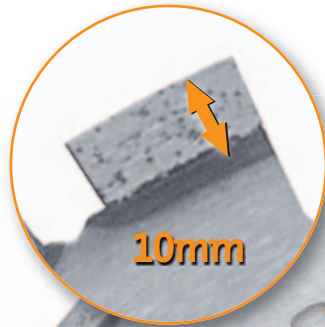
DUO ASPHALT

★★★★★
Dynamic

∅ 300-450



✦ LASER



Quickfix

Learn more about the Quickfix system on page 23.



The leading performance with the best undercutting protection.

Features

- 10mm segment height.
- Patented depth of cut indicator with stroboscope effect.
- 8 high wear protection segments.
- Duo concept : two trapezoidal segments.
- Exclusive "Arrow" shaped.
- Wide gullet slot.

Benefits

- Exceptionally long life.
- Depth control allowing life increase.
- Direction of rotation permanently marked.
- Extreme protection of the steel center from under-cutting.
- Extended life.
- Excellent cutting speed and low vibration.
- High confort of cut.
- Fast removal of cutting debris.
- Permanently indicates the correct direction of rotation.

Picture : ∅350mm blade.



DUO ASPHALT 300mm



DUO ASPHALT 350mm



DUO ASPHALT 350mm on a CS451 (see page 115)



DUO ASPHALT

Dynamic

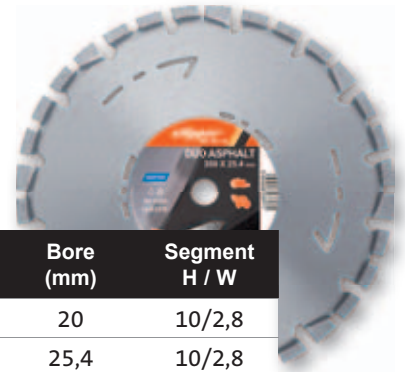
With depth of cut and way of rotation indicators up to 450mm.

UNIQUE laser welded blade suitable for ASPHALT and ABRASIVE MATERIALS. Due to its innovative design, the DUO Asphalt is EASY TO USE, extremely FAST CUTTING and guarantees an ACCURATE CUT and VERY LONG LIFE. Featuring patented DEPTH INDICATOR for blade life monitoring and indication of cutting direction (up to diameter 450mm). Multiple drop segments for a safer and longer life. Ideal for all high speed saws and floor saws up to 20Hp.

Application : asphalt, asphalt over concrete, green concrete and abrasive building materials.



Item No	EAN 13 Code		Ø (mm)	Bore (mm)	Segment H / W
701846 24581	5450248 238157		300	20	10/2,8
701846 24572	5450248 237426		300	25,4	10/2,8
701846 24583	5450248 238171		350	25,4	10/2,8
701846 25577	5450248 346395		400	25,4	10/3,2
701846 25578	5450248 346401		450	25,4	10/2,8



SUPER ASPHALT EVO

Pro

With depth of cut and way of rotation indicators up to 450mm.

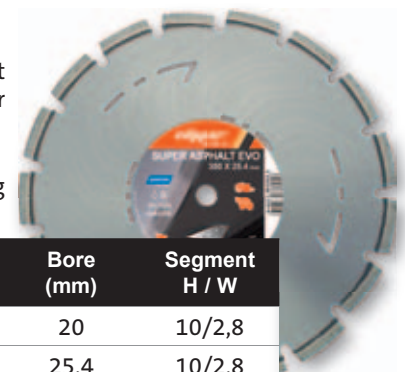
Very good value for money laser welded blade for intensive use and LONG LIFE in Asphalt and abrasive materials (dry or wet cutting). Featuring patented DEPTH INDICATOR for blade life monitoring and indication of cutting direction (up to diameter 450mm).

Undercutting protection on the steel center thanks to slant segments.

Application : asphalt, asphalt over concrete, green concrete and abrasive building materials.



Item No	EAN 13 Code		Ø (mm)	Bore (mm)	Segment H / W
701846 23182	5450248 234975		300	20	10/2,8
701846 23184	5450248 234999		300	25,4	10/2,8
701846 23185	5450248 235002		350	20	10/3,2
701846 23186	5450248 235019		350	25,4	10/3,2
701846 28159	5450248 391531		400	25,4	10/3,2
701846 28160	5450248 391548		450	25,4	10/3,2
701846 11979	5450248 204350		500	25,4	10/3,8
701846 11980	5450248 204367		600	25,4	7/3,8

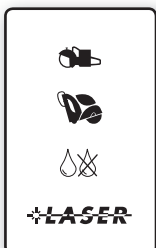


CLASSIC ASPHALT

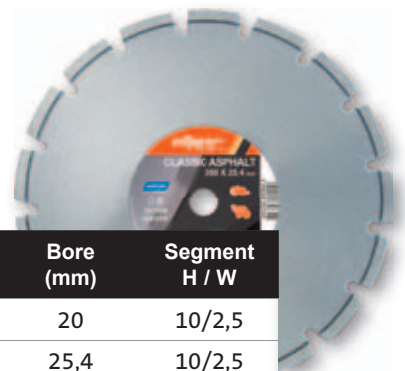
Classic

Good value for money laser welded blade for dry or wet cutting.

Application : asphalt, asphalt over concrete, green concrete, abrasive materials and concrete roof tiles.



Item No	EAN 13 Code		Ø (mm)	Bore (mm)	Segment H / W
701846 26876	5450248 353706		300	20	10/2,5
701846 26877	5450248 353713		300	25,4	10/2,5
701846 26878	5450248 353737		350	20	10/2,8
701846 26879	5450248 353744		350	25,4	10/2,8
701846 45242	5450248 528043		400	20	10/3,2
701846 26880	5450248 353751		400	25,4	10/3,2
701846 26881	5450248 353768		450	25,4	10/3,2





DIAMOND BLADES

Asphalt & Abrasive Materials



Pro

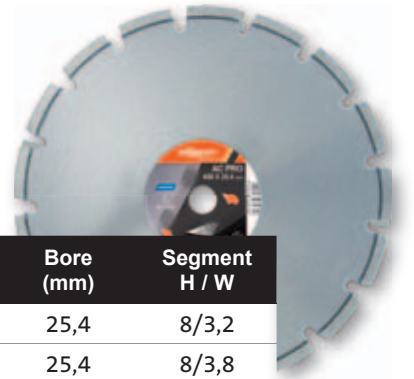
AC PRO

Blades for use on machines with 20 to 65 Hp.

High performance blade for deep cutting asphalt floors and abrasive pavements. Specifically designed for PROFESSIONAL use on **floor saws with 20 to 65 Hp** (wet cutting). Complete wear protection segments (hammer segments) to help prevent under-cutting of the steel centre.
Application : asphalt.



Item No	EAN 13 Code		Ø (mm)	Bore (mm)	Segment H / W
701846 24104	5450248 239758		450	25,4	8/3,2
701846 24105	5450248 239765		500	25,4	8/3,8
701846 24106	5450248 239772		600	25,4	8/3,8
701846 24107	5450248 239789		600	35/25,4	8/4,4
701846 24109	5450248 239802		700	35/25,4	8/4,4
701846 24108	5450248 239796		800	35/25,4	8/4,4



Pro

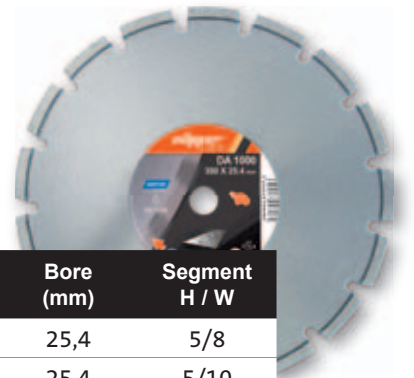
DA 1000

Wet cutting asphalt loop cutting blade. 8 or 10mm wide segments for signal cable installation.
Application : asphalt.



Item No	EAN 13 Code		Ø (mm)	Bore (mm)	Segment H / W
701846 10293 *	5450248 006060		350	25,4	5/8
701846 10294 *	5450248 006077		350	25,4	5/10
701846 10292 *	5450248 006053		450	25,4	5/10

* Availability on request.



Pro

M45 EVO - GREEN CONCRETE

Laser welded segments for wet cutting. Wear Protection segments to help prevent under-cutting of the steel centre.
Application : green concrete, Lignacite and Tarmac top blocks.



Item No	EAN 13 Code		Ø (mm)	Bore (mm)	Segment H / W
701846 24684	5450248 237815		300	25,4	10/2,5
701846 24685	5450248 237822		350	25,4	10/2,8

