

Control Panel Isolation Equipment

Craig & Derricott has ranges of Switch-Disconnectors, Fuse Combination Units and Changeover Isolators for panel mounting ranging from 25A to 1250A.

All come supplied with operating handle and a standard length shaft.

Switch-Disconnectors - ISDC Range (25A - 200A)

A compact range of switch-disconnectors with the capacity to add auxiliary and neutral block options to the basic load break switch block.

Features

- IP2X terminal protection.
- Door interlock handles with override facility.
- DIN rail or base mounting.
- Add-on auxiliary/neutral blocks.

The catalogue numbers below include:-

- On-load AC23A switch-disconnector.
- 100mm standard length shaft assembly.
- IP65 minimum door interlock handle.(Black)
- Terminal covers (A3 only).



63A 3P assembly complete with standard shaft and handle assembly

Catalogue Numbers

Current Rating	25A	25A	32A	40A	40A	63A	63A	80A
Frame size	A0	A0-A0	A0	A0	A0-A0	A1	A1-A1	A1
3 pole	SD00253B	-	SD00323B	SD00403B	-	SD00633B	-	SD00803B
6 pole	-	SD00256B	-	-	SD00406B	-	SD00636B	-
Current Rating	100A	100A	125A	125A	160A	160A	200A	
Frame size	A2	A2-A2	A2	A2-A2	A2	A2-A2	A3	
3 pole	SDC01003B	-	SDC01253B	-	SDC01603B	-	SDC02003B	
6 pole	-	SDC01006B	-	SDC01256B	-	SDC01606B	-	

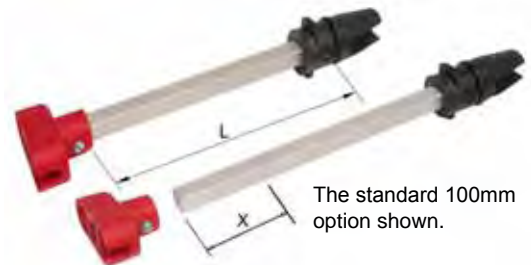
For door interlock handles in 'R/Y', replace the 'B' in the catalogue number with 'R' e.g. SDC01603R

Extended shafts

Both the standard 100mm shaft and the longer version as shown below can easily be adjusted to suit specific panel depths. The correct dimension to be removed (X) can easily be determined using the dimensions shown on page 110-111.

Catalogue Numbers

Shaft length 'L'	Frame size	Shaft (mm ²)	Catalogue No.
200mm	A0 & A1	6	SSH2
200mm	A2 & A3	8	SSH17



The standard 100mm option shown.



Handle assembly supplied with the 'A0' & 'A1' frame sizes (**SDH1/BLK**).



Handle assembly supplied with the 'A2' & 'A3' frame sizes (**SDH3/BLK**).

Includes emergency override facility.



Auxiliary Blocks

All of the accessories listed below can be retro-fitted.
One block can be fitted either side of the main assembly on all of the 3 pole switch-disconnector interiors.
(Technical data see page 13)

Catalogue Numbers

Description	Cat. No.
Auxiliary Contact - 2 Early Break	SAUX2EB
Auxiliary Contact - 1 N/O + 1 N/C	SAUXCO
25A Neutral (Unswitched)	SNL25
40A Neutral (Unswitched)	SNL40
63A Neutral (Unswitched)	SNL63
80A Neutral (Unswitched)	SNL80
100A Neutral (Unswitched)	SNL100
125A Neutral (Unswitched)	SNL125
160A Neutral (Unswitched)	SNL160
200A Neutral (Unswitched)	SNL200
25A Neutral (Switched)	SSP25
40A Neutral (Switched)	SSP40
63A Neutral (Switched)	SSP63
80A Neutral (Switched)	SSP80
100A Neutral (Switched)	SSP100
125A Neutral (Switched)	SSP125
160A Neutral (Switched)	SSP160
200A Neutral (Switched)	SSP200



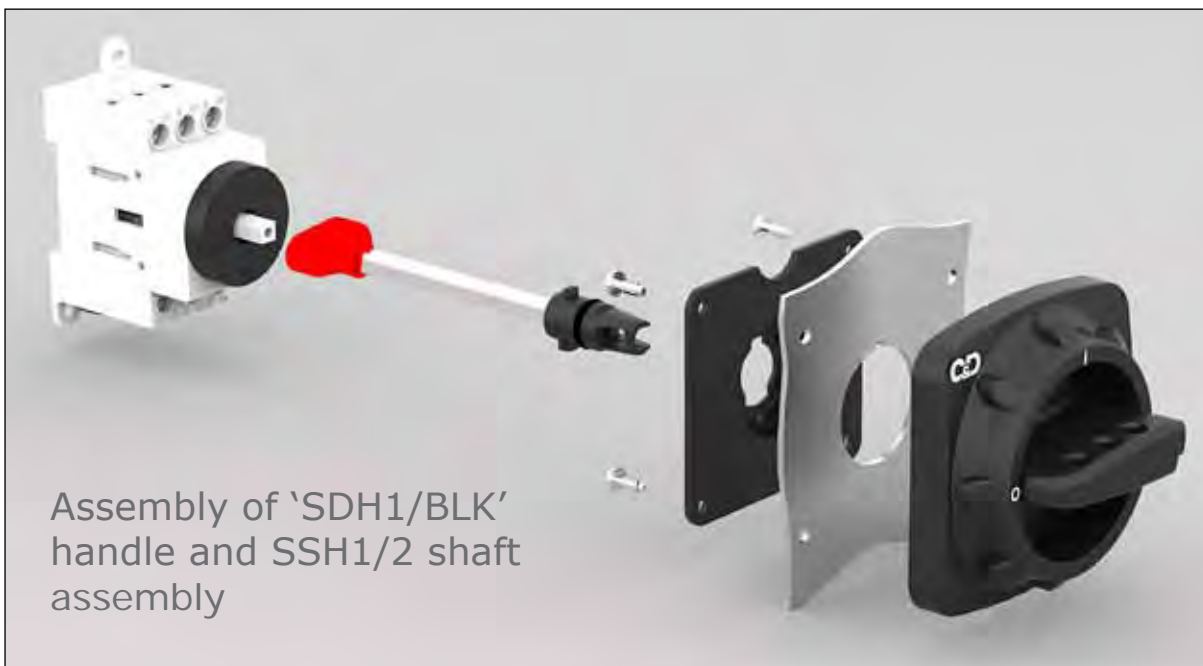
Neutral Link (Unswitched) 2 Early Break Auxiliary Neutral Link (Switched)



63A Switch-Disconnector fitted with Aux blocks



Typical 40A 6 pole assembly



Assembly of 'SDH1/BLK' handle and SSH1/2 shaft assembly

Data supplied against tests to BS EN 60947-3

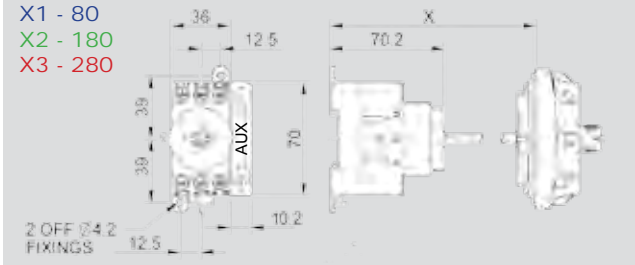
Application	Sym	Unit	Category	ISDC Compact Range											ISD Standard Range							
				25	32	40	63	80	100	125	160	200	250	320	400	630	800	1000	1250			
Rated thermal current	I_{th}	A		25	32	40	63	80	100	125	160	200	250	320	400	630	800	1000	1250			
Rated insulation voltage	U_i	V		690	690	690	690	690	1000	1000	1000	1000	1000	1000	1000	1000	1000	1000	1000			
Rated impulse voltage	U_{imp}	kV		6	6	6	6	6	8	8	8	8	8	12	12	12	12	12	8			
Rated operational current (AC)	I_e	A	Up to 415V - AC21A	25	32	40	63	80	100	125	160	200	250	320	400	630	800	1000	1250			
			440-690V - AC21A	25	32	40	63	80	100	125	160	200	250	320	400	630	800	1000	1250			
			Up to 415V - AC22A	25	32	40	63	80	100	125	160	200	250	320	400	630	800	1000	1250			
			690V - AC22A	25	32	40	63	80	100	125	160	200	250	320	400	630	800	1000	1250			
Rated operational current (DC) (poles in series)	I_e	A	Up to 415V - AC23A	21	29	29	48	56	99	112	128	128	200	250	320	400	630	800	1000			
			690V - AC23A	17	17	17	33	33	53	57	57	57	63	200	250	320	400	630	800			
			Up to 48V - DC21A	25/1	32/1	40/1	63/1	80/1	-	-	-	-	100/2	200/2	250/2	320/2	400/2	630/1	800/1	1000/1		
			220V - DC21A	25/3	32/3	40/3	63/4	80/4	-	-	-	-	100/3	200/2	250/2	320/2	400/2	630/2	800/2	1000/3		
Rated operational power	P_e	kW	Up to 48V - DC22A	-	-	-	-	-	-	-	-	-	-	-	-	-	-	-	-			
			220V - DC22A	-	-	-	-	-	-	-	-	-	-	-	-	-	-	-	-	-		
			Up to 48V - DC23A	-	-	-	-	-	-	-	-	-	-	-	-	-	-	-	-	-	-	
			220V - DC23A	-	-	-	-	-	-	-	-	-	-	-	-	-	-	-	-	-	-	
Short circuit making capacity	I_{cm}	kA	400/415V - AC23A	11	15	15	25	30	59	63	75	75	110	132	200	315	355	400	400			
			690V - AC23A	15	15	15	30	30	51	55	55	55	45	170	200	315	355	355	-	-		
Short circuit withstand (1sec)	I_{cw}	kA	Peak value	1.2	1.4	1.4	2.9	3.0	3.7	4.0	5.0	5.0	5.0	3.0	3.5	65	80	80	105			
			rms value	0.5	0.6	0.6	1.3	1.4	2.6	2.8	3.0	3.0	5	8	8	17	17	17	50	50		
Min. mechanical endurance			Operations	250 x 10 ³	250 x 10 ³	250 x 10 ³	250 x 10 ³	250 x 10 ³	50 x 10 ³	50 x 10 ³	50 x 10 ³	50 x 10 ³	50 x 10 ³	16 x 10 ³	10 x 10 ³	10 x 10 ³	10 x 10 ³	6 x 10 ³	6 x 10 ³			
			Min. electrical endurance	-	-	-	-	-	-	-	-	-	-	-	5,000	1,000	1,000	500	500	500		
Connecting capacity			Terminal type																			
			Min/Max	2.5/6	2.5/10	2.5/10	2.5/25	2.5/25	10/70	10/70	10/70	10/70	10/70	10/70	-	-	-	-	-	-		
			Stud/Cu palm width	-	-	-	-	-	-	-	-	-	-	8/20	8x20	8x20	8x20	8x20	8x20	12/40	12/60	
			Tightening torque	1.2	1.2	1.2	1.2	1.2	2	2	2	2	2	2	2	25	25	25	25	40	40	



Dimensions (Continued)

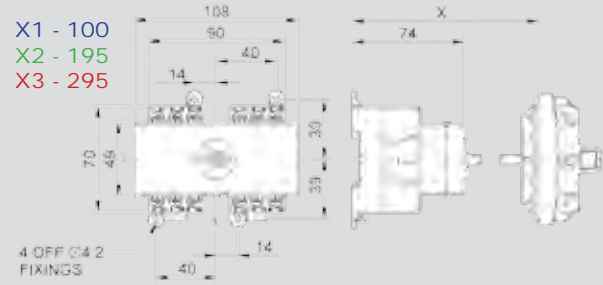
A0 Size (25A - 40A)

- X1 - 80
- X2 - 180
- X3 - 280



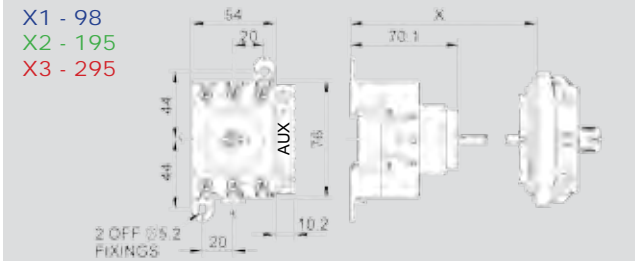
A0-A0 Size (6 pole 25A & 40A)

- X1 - 100
- X2 - 195
- X3 - 295



A1 Size (63A - 80A)

- X1 - 98
- X2 - 195
- X3 - 295



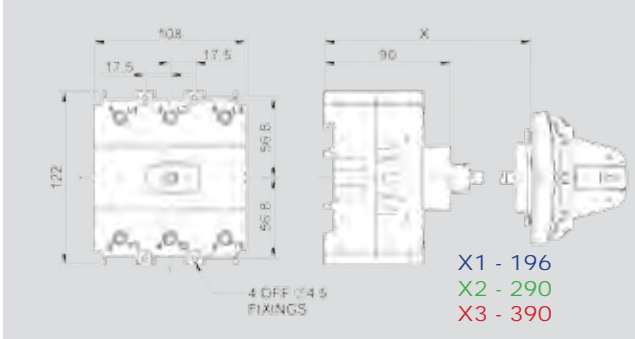
A1-A1 Size (6 pole 63A)

- X1 - 145
- X2 - 240
- X3 - 340



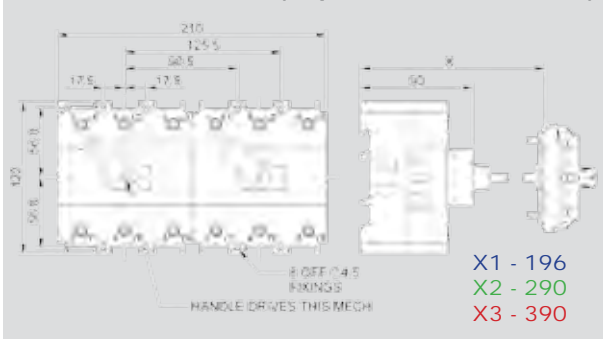
A2 Size (100A - 160A)

- X1 - 196
- X2 - 290
- X3 - 390



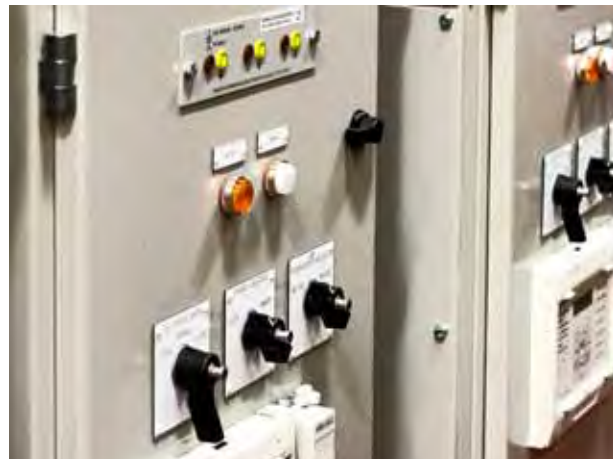
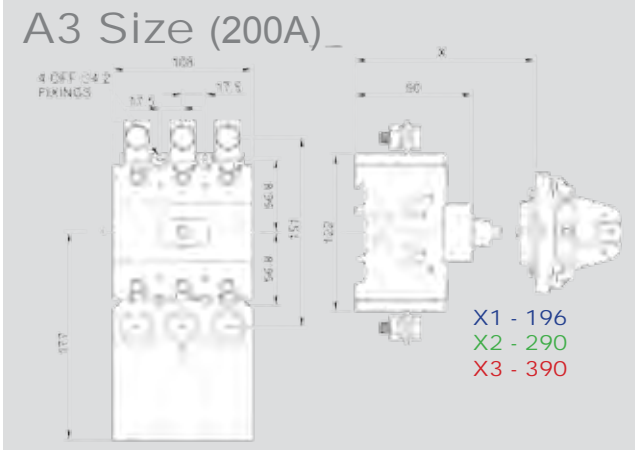
A2-A2 Size (6 pole 100A-160A)

- X1 - 196
- X2 - 290
- X3 - 390



A3 Size (200A)

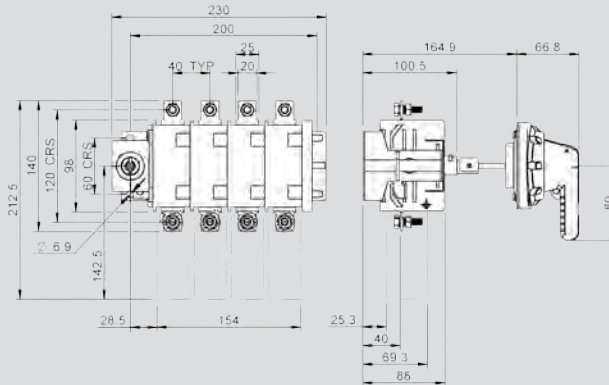
- X1 - 196
- X2 - 290
- X3 - 390



- X1 Minimum depth.
- X2 Maximum depth with 100mm shaft extension.
- X3 Maximum depth with 200mm shaft extension.

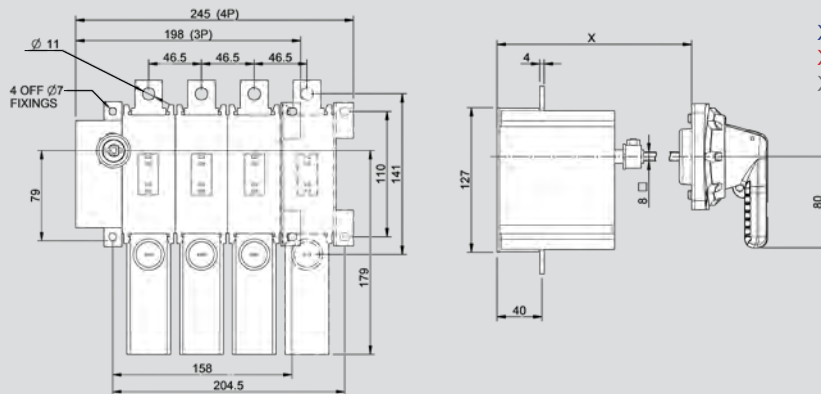
Dimensions (Continued)

B1 Size (100A - 160A)



X1 - 130
X3 - 255
X4 - 455

B2 Size (200A - 250A)

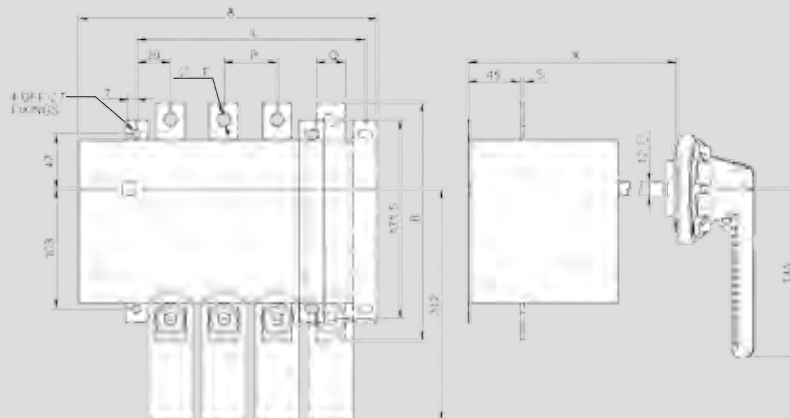


X1 - 190
X3 - 270
X4 - 470

B3 Size (400A - 800A)

Rating	A		B		L	
	3P	4P	3P	4P	3P	4P
400A	211	257	205	151	197	
600A	244	306	223	183	245	
800A	260	330	223	199	269	

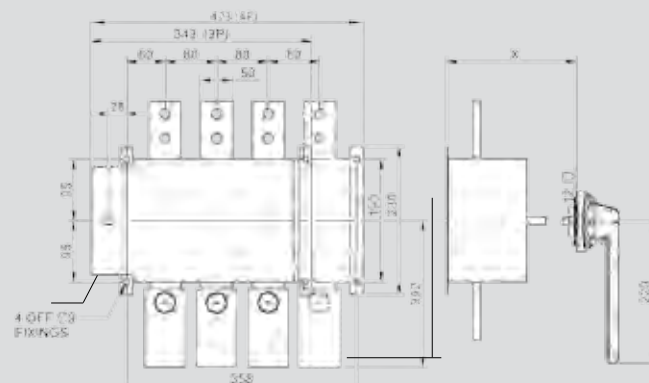
Rating	P	Q	S	T
400A	46	25	4	11
600A	62	40	5	13.5
800A	70	40	5	13.5



X1 - 220
X3 - 285
X4 - 485

B4 Size (1000A - 1250A)

- X1 Minimum depth.
- X3 Maximum depth with 200mm shaft extension.
- X4 Maximum depth with 400mm shaft extension.



X1 - 240
X3 - 285
X4 - 485

