

**Ordering number CN13162\_LENA-WAS**

Family	Lena	FWHM	(simulated) Asymmetric
Type	Pack	Efficiency	(simulated) 0 %
LED	Mega Zenigata (GW5DGC)	cd/lm	-
Color	Metal	Gerber File	Available
Diameter	111 mm		
Height	38.2 mm		
Style	Round		Reflector twist-and-locks into included base part that holds COE
Optic Material	PC		
Holder Material	-		
Fastening	Screw, socket		
Status	Ready		

**Ordering number CN13172\_LENA-WAS-DL**

Family	Lena	FWHM	(simulated) Asymmetric
Type	Pack	Efficiency	(simulated) 0 %
LED	Mega Zenigata (GW5DGC)	cd/lm	-
Color	Metal	Gerber File	Available
Diameter	111 mm		
Height	40.3 mm		
Style	Round		Reflector twist-and-locks into included base part that holds COE
Optic Material	PC		
Holder Material	-		
Fastening	Screw, socket		
Status	Ready		

**Ordering number CN13457\_LENA-X-WAS-DL**

Family	Lena	FWHM	(simulated) Asym
Type	Pack	Efficiency	(simulated) 0 %
LED	Mega Zenigata (GW5DGC)	cd/lm	-
Color	White	Gerber File	Available
Diameter	111 mm		
Height	40.3 mm		
Style	Round		Reflector twist-and-locks into included base part that holds COE
Optic Material	PC		
Holder Material	PC		
Fastening	Screw, socket		
Status	Ready		

**Ordering number CN13461\_LENA-X-WAS**

Family	Lena	FWHM	(simulated) Asym
Type	Pack	Efficiency	(simulated) 0 %
LED	Mega Zenigata (GW5DGC)	cd/lm	-
Color	White	Gerber File	Available
Diameter	111 mm		
Height	38.2 mm		
Style	Round		Reflector twist-and-locks into included base part that holds COE
Optic Material	PC		
Holder Material	PC		
Fastening	Screw, socket		
Status	Ready		

**Ordering number CN12296\_LENA-S-DL**

Family	Lena	FWHM	14 degrees
Type	Pack	Efficiency	80 %
LED	Mega Zenigata (GW5DGC)	cd/lm	-
Color	Metal	Gerber File	Available
Diameter	111 mm		
Height	85.6 mm		
Style	Round		
Optic Material	PC		
Holder Material	PC		
Fastening	Screw		
Status	Ready		

**Ordering number CN12297\_LENA-M-DL**

Family	Lena	FWHM	21 degrees
Type	Pack	Efficiency	79 %
LED	Mega Zenigata (GW5DGC)	cd/lm	-
Color	Metal	Gerber File	Available
Diameter	111 mm		
Height	85.6 mm		
Style	Round		
Optic Material	PC		
Holder Material	PC		
Fastening	Screw		
Status	Ready		

**Ordering number CN12298\_LENA-W-DL**

Family	Lena	FWHM	44 degrees
Type	Pack	Efficiency	75 %
LED	Mega Zenigata (GW5DGC)	cd/lm	-
Color	Metal	Gerber File	Available
Diameter	111 mm		
Height	85.6 mm		
Style	Round		
Optic Material	PC		
Holder Material	PC		
Fastening	Screw		
Status	Ready		

**NOTE: The typical divergence will be changed by different color, chip size and chip position tolerance. The typical total divergence is the full angle measured where the luminous intensity is half of the peak value.**



## PRODUCT DATASHEET

### Lena series

last update 14/12/2012

**SHARP**

#### GENERAL INFORMATION

- Product series especially designed & optimized for Mega Zenigata (GW5DGC) series of LEDs.
- Special care taken to make light distribution as uniform as possible.
- Lens material optical grade PC with high UV and temperature resistance (120 degrees of Celcius / 248 degrees of Fahrenheit). Allows use of high current and temperature conditions.

Please find more information about used materials from below:

[http://ledil.fi/sites/default/files/Documents/Technical/Material/PC%20Makrolon%202400\\_2407\\_2456\\_2458-UL.pdf](http://ledil.fi/sites/default/files/Documents/Technical/Material/PC%20Makrolon%202400_2407_2456_2458-UL.pdf)

- Reflector is made of aluminium coated PC (120 degrees of Celcius / 248 degrees of Fahrenheit) with protective lacquer (110 degrees of Celcius / 230 degrees of Fahrenheit).
- Optic holder molded by high quality PC material (120 dergees of Celcius / 248 degrees of Fahrenheit).

D

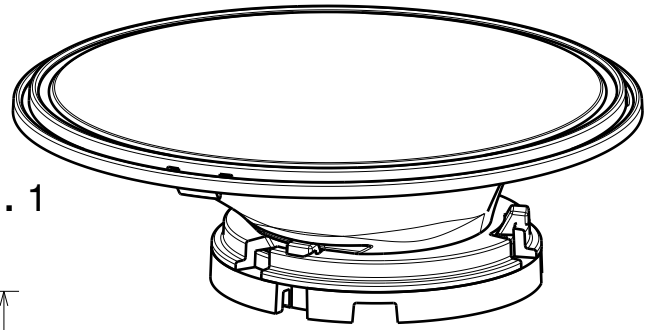
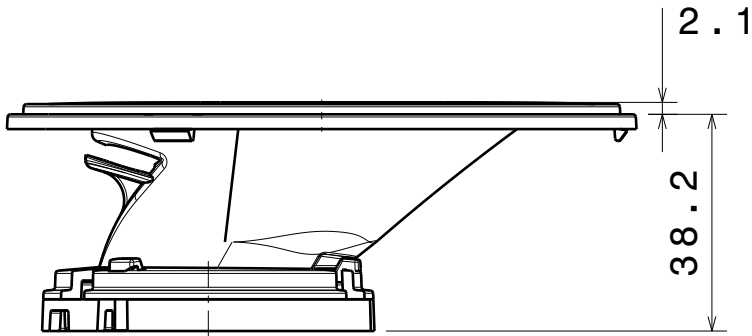
C

B

A

4

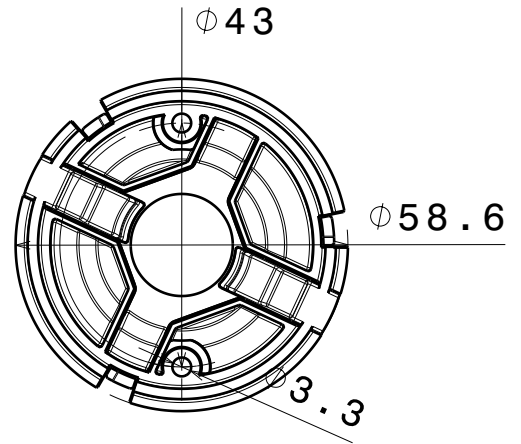
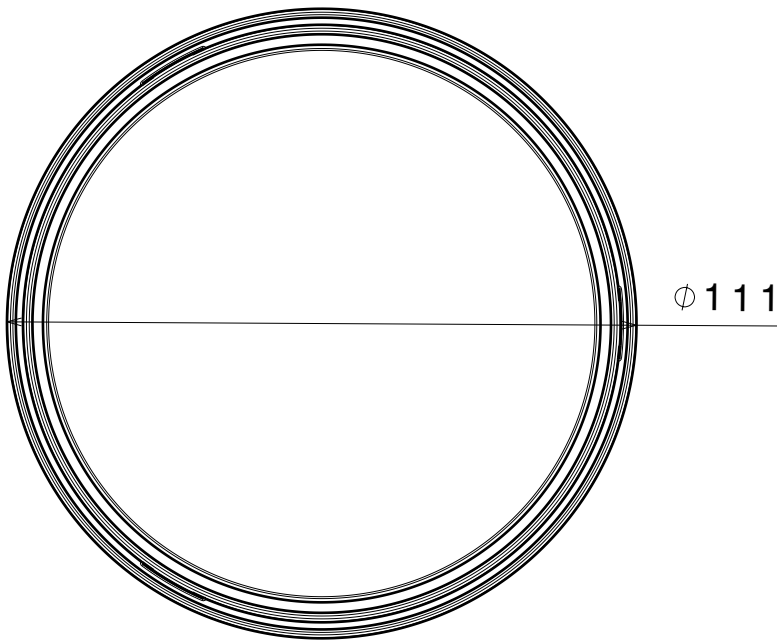
4



Isometric view

3

3



Materials

Reflector: PC  
 Base part: PC  
 Sublens: PC

Note: Using additional sublens add  
 2,1mm to total height.

2

2

1

1

This drawing is our property.  
 It can't be reproduced  
 or communicated without  
 our written agreement.



Ledil Oy  
 Salorankatu 10  
 FIN 24240 SALO  
 Finland

DRAWING TITLE | Mechanical drawing

DRAWN BY | DATE  
 as | 26.9.2012

LENA-WAS

CHECKED BY | DATE  
 VS | -

SIZE | PART NUMBER | REV  
 A4 | | 001

DESIGNED BY | DATE  
 - | -

SCALE 2:3 | WEIGHT - mg | SHEET 1/1

D

A