

.050" (1,27mm) EJECTOR HEADER EHF, ECF SERIES

SPECIFICATIONS

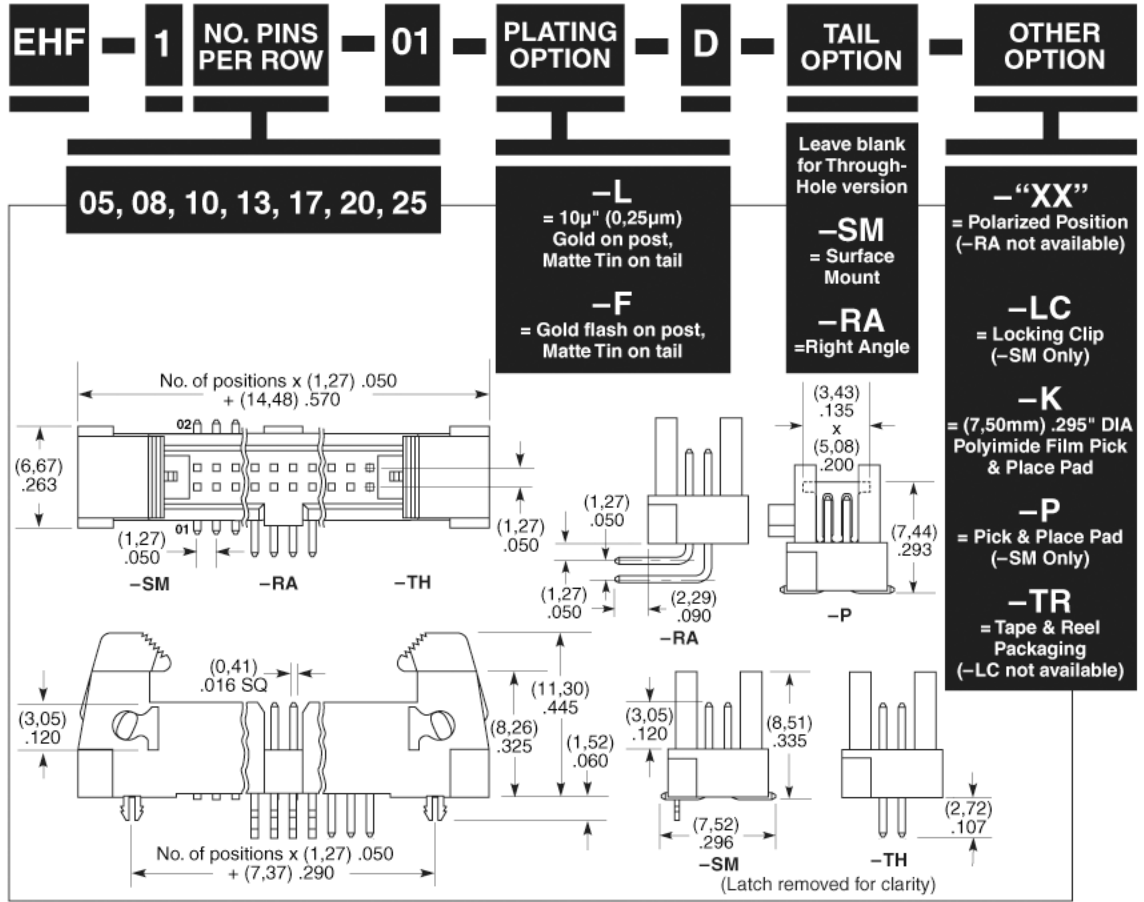
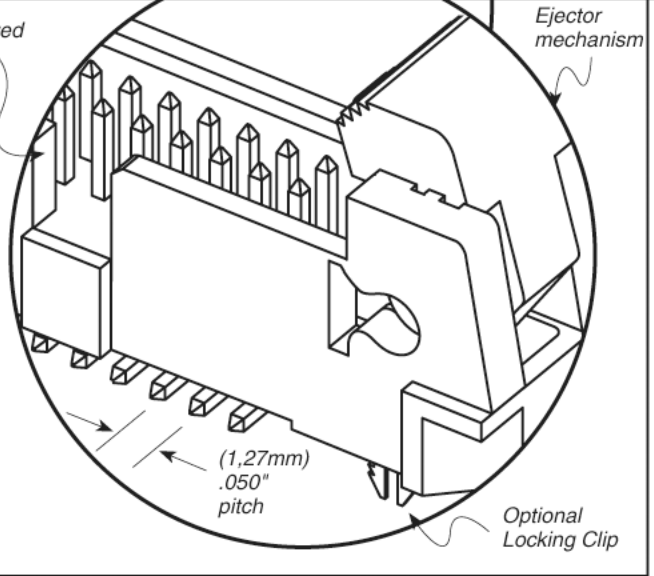
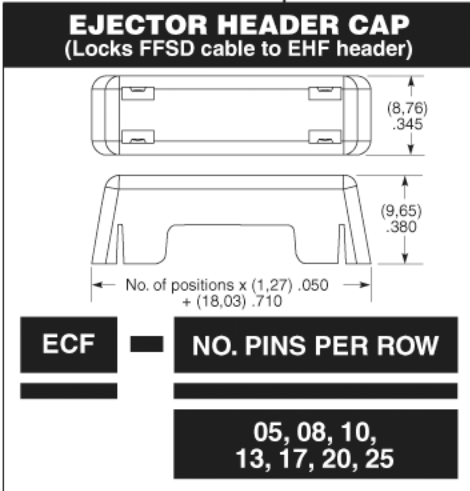
For complete specifications and recommended PCB layouts see www.samtec.com?EHF

Insulator Material: Black Liquid Crystal Polymer
Terminal Material: Phosphor Bronze
Plating: Sn or Au over 50µ" (1,27µm) Ni
Current Rating: 1.75A @ 80°C ambient
Operating Temp Range: -55°C to +125°C
RoHS Compliant: Yes



Processing:
Max Processing Temp: 230°C for 60 seconds, or 260°C for 20 seconds 3x
Lead-Free Solderable: Yes
SMT Lead Coplanarity: (0,10mm) .004" max

Mates with:
FFSD



Note: Some lengths, styles and options are non-standard, non-returnable.

Due to technical progress, all designs, specifications and components are subject to change without notice.

WWW.SAMTEC.COM

SAMTEC USA • Tel: 1-800-SAMTEC-9 or 812-944-6733 • Fax: 812-948-5047
SAMTEC GERMANY • Tel: +49 (0) 89 / 89460-0 • Fax: +49 (0) 89 / 89460-299
SAMTEC JAPAN • Tel: 045-475-1385 • Fax: 045-475-1340
SAMTEC HONG KONG • Tel: 852-26904858 • Fax: 852-26904842
SAMTEC SILICON VALLEY • Tel: 408-395-5900 • Fax: 408-395-1520
SAMTEC FRANCE • Tel: 01 60 95 06 60 • Fax: 01 60 95 06 61
SAMTEC ISRAEL • Tel: 972-3-7526600 • Fax: 972-3-7526690
SAMTEC CHINA • Tel: 86-21-61103766 • Fax: 86-21-53854047
SAMTEC SOUTH AFRICA • Tel: 27 11 4528112 • Fax: 27 86 6714432
SAMTEC UK • Tel: 01236 739292 • Fax: 01236 727113
SAMTEC ITALY • Tel: 39 039 6890337 • Fax: 39 039 6890315
SAMTEC INDIA • Tel: +91-80-3272 1612 • Fax: +91-80-4152 8187
SAMTEC TAIWAN • Tel: 886 02 2698-3367 • Fax: 886 02 8698-2159
SAMTEC ANZ • Tel: 613 9512 7747 • Fax: 613 9512 7745