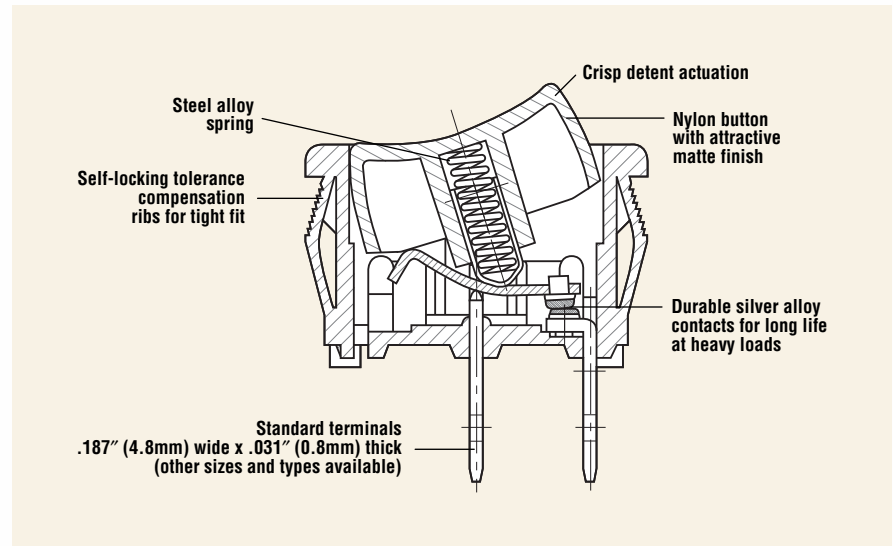


MINIATURE ROUND ROCKER SWITCH

SR Series

Features

- 20 amp switching in a compact design
- Available in a variety of colors
- Self-locking tabs and anti-rotation pin for snug fit
- Mechanical life: min. 50,000 operations



Electrical Ratings

Switch Series	EN61058 Rating	UL1054 Rating	Electrical Life at Rated Load	
			According to VDE (Min. Operations)	According to UL (Min. Operations)
SR	N/A	20A, 125VAC; 12A, 250VAC	N/A	6,000

Specifications

Electrical

Dielectric Strength: 1000VAC for 1 minute

Insulation Resistance: 10⁹ ohms min at 500VDC

Initial Contact Resistance: 0.020 ohms max

Temperature Range: -20°C to +65°C

Materials

Actuator (non-lighted): Nylon 66 94V-2

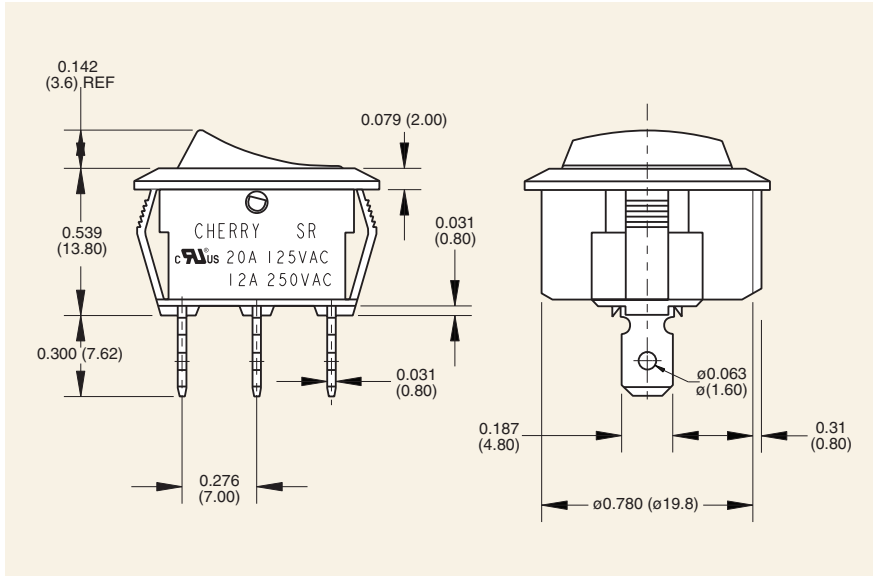
Base: Nylon 66 94V-2

Contacts: Silver Alloy

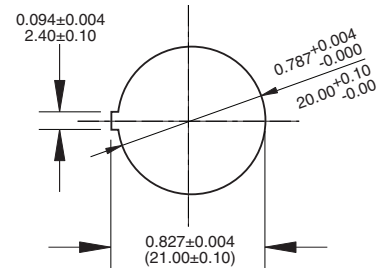
Movable Arm: Silver-Plated Copper Alloy

Terminals: Tin-Plated Copper Alloy

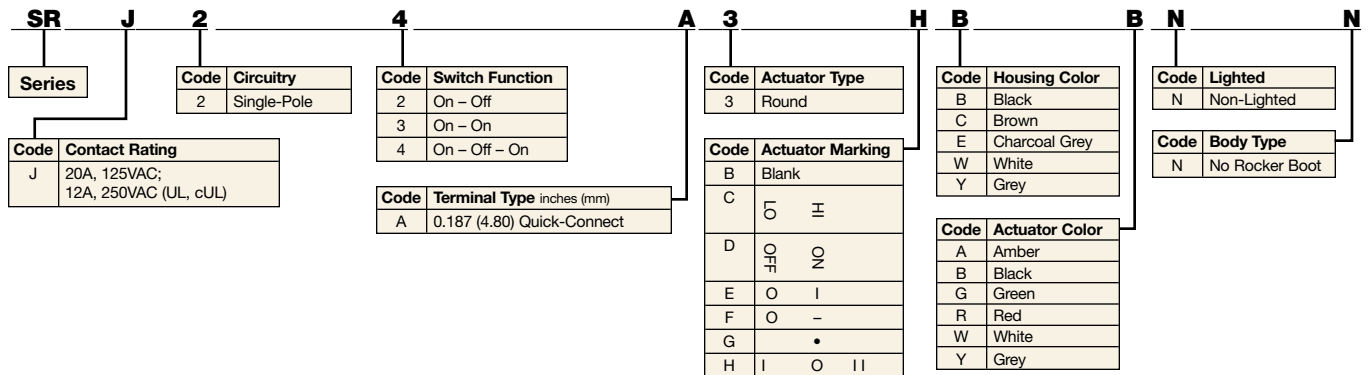
Dimensions inches (mm)



Panel Cut-Out Dimensions for Panel Thickness inches (mm) 0.039 to 0.078 (1.0 to 2.0)



Ordering Information



Examples of Common Part Numbers and Descriptions inches (mm)

Part Number	Circuitry	Switch Function	Terminal Type	Actuator/Housing Color	Legend Marking
SRJ22A3BBBNN		On - Off	0.187 (4.80) Quick-Connect	Black/Black	
SRJ23A3BBBNN		On - On	0.187 (4.80) Quick-Connect	Black/Black	
SRJ24A3BBBNN		On - Off - On	0.187 (4.80) Quick-Connect	Black/Black	
SRJ22A3WWNN		On - Off	0.187 (4.80) Quick-Connect	White/White	
SRJ22A3FBBNN		On - Off	0.187 (4.80) Quick-Connect	Black/Black	