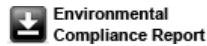
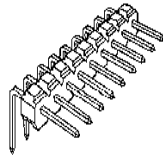




68016-106HLF

68016-106HLF

68016-106HLF - BergStik® : Unshrouded Header, Through Hole, Single Row, 6 Positions, 2.54 mm Pitch, Right Angle, 5.84 mm (0.23 in.) Mating, 3.05 mm (0.12 in.) Tail



Specifications Download document Mating Half

General Dimensional Electrical Mechanical Mounting Physical Approvals / Certifications Other Features

General

Number of contacts (per row)	6
Number of contacts (Total)	6
Number of rows	1
Orientation	Right Angle
Packaging	Bulk Packaging
Attachment type (Board)	Through Hole
Series Number	68016

Dimensional

Length (Mating pin)	5.84 mm (0.23 in.)
Length (Tail)	3.05 mm (0.12 in.)

Electrical

Current rating	3 amp Continuous
Resistance (Insulation)	5000 M-ohms
Voltage rating	1500V AC rms

Mechanical

Retention force	8.88N (2 lbf)
-----------------	---------------

Mounting

Retention feature (Board)	No
Solder process	Vapor-phase IR Reflow Soldering Processes Compatible with Wave

Physical

Color (Housing)	Black
Material (Contact)	Phospor Bronze
Material (Housing)	High Temperature Black Thermoplastic
Plating (Contact area)	0.76 µm (30 µin.) Gold or GXT
Plating (Tail)	0.76 µm (30 µin.) Gold or GXT, or Tin
Underplating (Contact)	1.27 µm (50 µin.) Nickel
Flammability rating	UL 94 V-0
Temperature (Range)	-65°C to +125°C

Approvals / Certifications

UL File Number	E66906
CSA File Number	LR46923
Approvals / Certifications	UL and CSA Approved

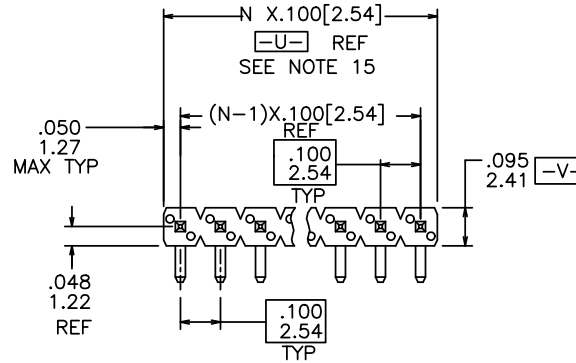
Other Features

Comments	Sample Kit 950501-016
Literature	950559-001

PRODUCT NUMBER

XXXXX-YYY HTLF

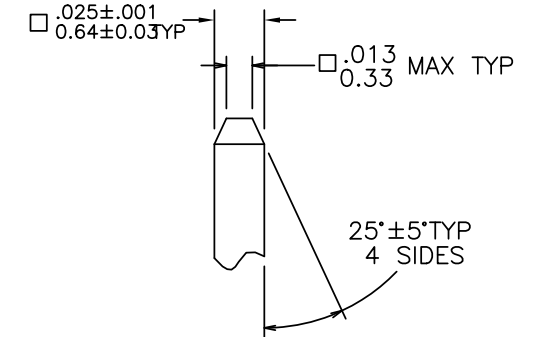
- LEAD FREE OPTION  
SEE NOTE 1,8
- TUBE PACKAGING OPTION  
SEE NOTE 1
- HIGH TEMPERATURE PLASTIC  
SEE NOTE 1
- NO OF POSITIONS  
SEE NOTE 1
- PIN PLATING  
SEE SHEET 2
- BASE PART NO.



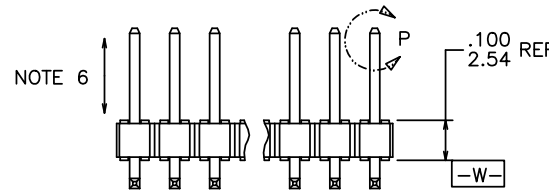
TOP VIEW

⊕ ∅.020/0.51 (M) U (M) V (S) W

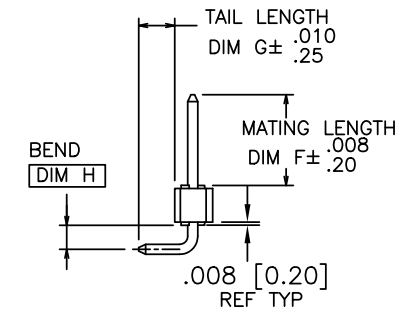
NOTE 4



DETAIL P  
TYP BOTH ENDS



SIDE VIEW



END VIEW

68015-X XX-XXX XXX LF

- TAIL LENGTH (EXAMPLE BELOW)  
3.0mm=030 12.8mm=128 (SEE NOTE 11 & 12)
- MATTING LENGTH (EXAMPLE BELOW)  
5.0mm=050 25.5mm=255 (SEE NOTE 11 & 12)
- TOTAL NUMBER OF POSITION  
FROM 1 THRU 36 POS. (SEE NOTE 1)
- PIN PLATING (SEE NOTE 13)  
1=0.76µm Au  
4= PURE TIN  
8=0.36µm Au
- BASE PART NO.  
SINGLE ROW RIGHT ANGLE

Copyright FCI.

rev	ecn no	dr	date
CR	M06-0346	MHT	9/04/06
CS	M08-0154	MHT	5/27/08
CT	M08-0169	MHT	6/16/08
CU	M08-0267	MHT	9/25/08
CV	M08-0331	MHT	12/01/08
AY	M09-0105	MHT	7/10/09
BA	N11-0118	J.Z	2011-04-11

www.fciconnect.com			surface 6.4 ISO 1302	tolerance std ISO 406 ISO 1101	projection ⊕	INCH/MM ↔
TOLERANCES UNLESS OTHERWISE SPECIFIED			ANGULAR	LINEAR	size A4	Scale 1.000
Dr	T.BREWBAKER	01/31/95	0.X	±0.3	ECN N11-0118	
Eng	T.HANNA	01/31/95	0.XX	±0.15	Spec ref	
Chr	T.HANNA	01/31/95	0.XXX	±0.05	Rev. BA	
Appr	T.HANNA	01/31/95	Product family BERGSTIK		dwg no 68015	sheet 1 of 4
title BERGSTIK® II HEADER .100/2.54cc SR R/A			catalog no		CUSTOMER	

PIN PLATING CODES:

XXXX-1YY	30u"/0.76u MIN (SEE NOTE 9) OVER 50u"/1.27u MIN Ni
XXXX-2YY	15u"/0.38u MIN (SEE NOTE 9) OVER 50u"/1.27u MIN Ni
XXXX-3YY	50u"/1.27u MIN (SEE NOTE 9) OVER 50u"/1.27u MIN Ni
XXXX-4YY	100u"/2.54u MIN Sn OVER 50u"/1.27u MIN Ni (SEE NOTE 10)
XXXX-4YYHLF	
XXXX-5YY	15u"/0.38u MIN (SEE NOTE 9) OVER 50u"/1.27u MIN Ni
XXXX-6YY	30u"/0.76u MIN (SEE NOTE 9) OVER 50u"/1.27u MIN Ni
XXXX-7YY	30u"/0.76u MIN (SEE NOTE 9) OVER 50u"/1.27u MIN Ni
XXXX-8YY	15u"/0.38u MIN (SEE NOTE 9) OVER 50u"/1.27u MIN Ni
XXXX-9YY	15u"/0.38u MIN (SEE NOTE 9) OVER 50u"/1.27u MIN Ni
XXXX-0YY	30u"/0.76u MIN (SEE NOTE 9) OVER 50u"/1.27u MIN Ni

NOTES

1. PART NUMBER OPTIONS:

PIN PLATING CODES (SEE ABOVE)

HIGH TEMP. MATERIAL:

PART NUMBERS WITH AND WITHOUT "H" WILL BE SUPPLIED WITH HIGH TEMPERATURE PLASTIC.

NUMBER OF POSITION:

ANY NUMBER OF POSITIONS FROM 1 THRU 36.

PACKAGING:

PACKAGED IN POLY BAGS.

EIGHT DIGIT PART NUMBERS FOLLOWED BY A "T" ARE PACKAGED IN TUBES. SEE SPECIFIC PART NUMBERS FOR AVAILABILITY.

LEAD FREE:

ADD "HLF" SUFFIX AT THE END OF PART NUMBER FOR LEAD FREE OPTION, NOT AVAILABLE FOR -5YY,-5YYH,-6YY & -6YYH.

2. BODY MATERIAL:

MANUFACTURER'S OPTION OF NYLON OR PCT, GLASS FIBER REINFORCED, OR LCP MINERAL FILED FLAME RETARDENT PER UL-94V-0. COLOR: BLACK.

PART NUMBERS WITH AND WITHOUT "H" SUFFIX WILL WITHSTAND EXPOSURE TO 260°C PEAK TEMPERATURE FOR 20 SECONDS IN WAVE SOLDER, INFRA-RED OR VAPOR PHASE SOLDER PROCESS.

3. PIN MATERIAL: PHOS-BRONZE.

4. MEASURED WITH PART IN RESTRAINED CONDITION.

5. TWO SIDES OF PIN TIPS NOT PLATED. TYPICAL BOTH ENDS.

6. 2LBS/0.9KG MIN PIN RETENTION IN EITHER DIRECTION.

7. MILITARY BERGSTIK HEADER  
P/N XXXXX-YYY-MIL  
NOT AVAILABLE.

8. THESE PRODUCTS MEETS EUROPEAN UNION DIRECTIVES AND OTHER COUNTRY REGULATION AS DESCRIBED IN GS-22-008.

9. PLATING OPTIONS:  
PERFORMANCE PLATING WILL BE EITHER GOLD OR GXT ON POST OR TAIL, OPTIONALLY (78~295u"/2~7.5u) TIN ON TAIL.

10. "THIS PRODUCT HAS 100%% TIN PLATING IN THE INTERFACE AND HAS NOT BEEN TESTED FOR WHISKER GROWTH IN ALL INTERCONNECT ENVIRONMENTS."

11. THE OAL DON'T EXCEED 31mm  
OAL= MATTING DIM+4.0mm<31mm WHERE THE SUM OF TAIL AND MATTING LENGTH DON'T EXCEED 27mm

12. INCREMENTS BY 0.1mm IN LENGTHS ONLY

13. FOR SPECIAL PACKAGING REQUEST PLEASE CONTACT PRODUCT MANAGER FOR AVAILABILITY

14. BEND DIMENSIONS AT 1.5mm ONLY

15. TO DETERMINE DIMENSIONS:  
N=NUMBER OF POSITION PER ROW  
EXAMPLE: 10 POS. N X .100/2.54

.100±.003 [2.54±.08]  
TYP. NON-ACCUMULATIVE  
Ø.040±.003 [1.02±.08]  
TYP.



RECOMMENDED HOLE PATTERN

www.fciconnect.com			surface ISO 1302 ✓	tolerance std ISO 406 ISO 1101	projection A4	INCH/MM	
			TOLERANCES UNLESS OTHERWISE SPECIFIED				
Dr	T.BREWBAKER	01/31/95	ANGULAR	0.X	±0.3	size	Scale
Eng	T.HANNA	01/31/95	LINEAR	0.XX	±0.15	A4	1.000
Chr	T.HANNA	01/31/95	0° ±2°	0.XXX	±0.05	ECN	N11-0118
Appr	T.HANNA	01/31/95	Product family	BERGSTIK		Spec ref	
FCI			title		dwg no		Rev.
			BERGSTIK® II HEADER		68015		BA
			.100/2.54cc SR R/A				
			catalog no		CUSTOMER		sheet 2 of 4



Copyright FCI.

1

2

3

4

PRODUCT NUMBER	MATING LENGTH		TAIL LENGTH		BEND DIM		PACKAGING	LF OPTION
	DIM F	DIM F	DIM G	DIM G	DIM H	DIM H		
	ENGLISH	METRIC	ENGLISH	METRIC	ENGLISH	METRIC		
68015-XY	0.230	5.84	0.090	2.29	0.060	1.52	POLY BAGS/TUBES	NOTE 1,8
68016-XY	0.230	5.84	0.120	3.05	0.060	1.52	POLY BAGS/TUBES	
68023-XY	0.135	3.43	0.305	7.75	0.135	3.43	POLY BAGS	
68417-XY	0.230	5.84	0.390	9.91	0.060	1.52	POLY BAGS	
68423-XY	0.318	8.08	0.120	3.05	0.060	1.52	POLY BAGS/TUBES	
68458-XY	0.318	8.08	0.110	2.79	0.060	1.52	POLY BAGS	
68461-XY	0.400	10.16	0.320	8.13	0.260	6.60	POLY BAGS	
68468-XY	0.230	5.84	0.195	4.95	0.160	4.06	POLY BAGS	
68488-XY	0.230	5.84	0.180	4.57	0.060	1.52	POLY BAGS	
68494-XY	0.400	10.16	0.110	2.79	0.060	1.52	POLY BAGS	
68498-XY	0.230	5.84	0.220	5.59	0.160	4.06	POLY BAGS	
68626-XY	0.230	5.84	0.295	7.49	0.060	1.52	POLY BAGS	
68627-XY	0.120	3.05	0.185	4.70	0.150	3.81	POLY BAGS	
68628-XY	0.230	5.84	0.590	14.99	0.060	1.52	POLY BAGS	
68641-XY	0.230	5.84	0.490	12.45	0.060	1.52	POLY BAGS	
68660-XY	0.110	2.79	0.230	5.84	0.135	3.43	POLY BAGS	
68694-XY	0.600	15.24	0.120	3.05	0.060	1.52	POLY BAGS	
68757-XY	0.350	8.89	0.220	5.59	0.100	2.54	POLY BAGS	
68758-XY	0.275	6.99	0.120	3.05	0.060	1.52	POLY BAGS	
68764-XY	0.100	2.54	0.120	3.05	0.060	1.52	POLY BAGS	
68782-XY	0.318	8.08	0.180	4.57	0.060	1.52	POLY BAGS	
68798-XY	0.110	2.79	0.230	5.84	0.160	4.06	POLY BAGS	
69189-XY	0.310	7.87	0.250	6.35	0.060	1.52	POLY BAGS	
71270-XY	0.600	15.24	0.189	4.80	0.060	1.52	POLY BAGS	
72342-XY	0.120	3.05	0.250	6.35	0.060	1.52	POLY BAGS	
78230-XY	0.310	7.87	0.330	8.38	0.060	1.52	POLY BAGS	
78231-XY	0.310	7.87	0.290	7.37	0.060	1.52	POLY BAGS	NOTE 1,8

www.fciconnect.com			surface ISO 1302 ✓	tolerance std ISO 406 ISO 1101	projection A4	INCH/MM ← →	
			TOLERANCES UNLESS OTHERWISE SPECIFIED				
Dr	T.BREWBAKER	01/31/95	ANGULAR	LINEAR	0.X	±0.3	size A4
Eng	T.HANNA	01/31/95			0.XX	±0.15	
Chr	T.HANNA	01/31/95			0.XXX	±0.05	
Appr	T.HANNA	01/31/95	0°	±2°	Product family		ECN N11-0118
			Product family		BERGSTIK		Spec ref
FCI			title			Rev.	
			BERGSTIK® II HEADER			68015	
			.100/2.54cc SR R/A			BA	
			catalog no			CUSTOMER	
						sheet 3 of 4	

REV F - 2006-04-17

1

2

PDM: Rev:BA

STATUS Released 4 Printed: Apr 20, 2011

1

2

3

4

PRODUCT NUMBER	MATING LENGTH		TAIL LENGTH		BEND DIM		PACKAGING	LF OPTION
	DIM F	DIM F	DIM G	DIM G	DIM H	DIM H		
	ENGLISH	METRIC	ENGLISH	METRIC	ENGLISH	METRIC		
78234-XY	0.230	5.84	0.140	3.56	0.160	4.06	POLY BAGS	NOTE 1,8
78541-XY	0.318	8.08	0.080	2.03	0.060	1.52	POLY BAGS	
78587-XY			UNAVAILABLE					
78938-XY	0.120	3.05	0.120	3.05	0.060	1.52	POLY BAGS	
78955-XY	0.075	1.91	0.090	2.29	0.060	1.52	POLY BAGS	
78978-XY	0.120	3.05	0.318	8.08	0.135	3.43	POLY BAGS	
79409-XY			UNAVAILABLE					
84846-XYH	0.140	3.56	0.290	7.37	0.153	3.89	POLY BAGS	
84917-XYH	0.090	2.29	0.195	4.95	0.190	4.83	POLY BAGS	
84935-XYH	0.450	11.43	0.320	8.13	0.260	6.60	POLY BAGS	
84936-XYH	0.350	8.89	0.120	3.05	0.060	1.52	POLY BAGS	
87532-XYH	0.230	5.84	0.890	22.61	0.060	1.52	POLY BAGS	
88813-XY	0.230	5.84	0.085	2.16	0.060	1.52	POLY BAGS	
92050-XY	0.162	4.11	0.120	3.05	0.060	1.52	POLY BAGS	
92632-XY	0.100	2.54	0.318	8.08	0.060	1.52	POLY BAGS	
92909-XY	0.400	10.16	0.220	5.59	0.060	1.52	POLY BAGS	
94099-XY	0.157	3.99	0.090	2.29	0.060	1.52	POLY BAGS	
94529-XYH	0.120	3.05	0.295	7.49	0.135	3.43	POLY BAGS	
94671-XYH	0.090	2.29	0.085	2.16	0.180	4.57	POLY BAGS	
95653-XYH	0.330	8.38	0.310	7.87	0.160	4.06	POLY BAGS	
95666-XYH	0.230	5.84	0.145	3.68	0.060	1.52	POLY BAGS	
10089061-XY	0.125	3.18	0.318	8.08	0.135	3.43	POLY BAGS	

NOTE 1,8



Copyright FCI.

www.fciconnect.com			surface ISO 1302	<input checked="" type="checkbox"/>	tolerance std ISO 406 ISO 1101	projection 	INCH/MM 	
			TOLERANCES UNLESS OTHERWISE SPECIFIED					
Dr	T.BREWBAKER	01/31/95	ANGULAR	LINEAR	0.X	±0.3	size A4	Scale 1.000
Eng	T.HANNA	01/31/95			0.XX	±0.15	ECN N11-0118	Spec ref
Chr	T.HANNA	01/31/95			0°	±2°		
Appr	T.HANNA	01/31/95	Product family			BERGSTIK		
			title			BERGSTIK® II HEADER		dwg no 68015
						.100/2.54cc SR R/A		
			catalog no			CUSTOMER		Rev. BA
						sheet 4 of 4		

REV F - 2006-04-17

1

2

PDM: Rev:BA

STATUS Released 4 Printed: Apr 20, 2011