

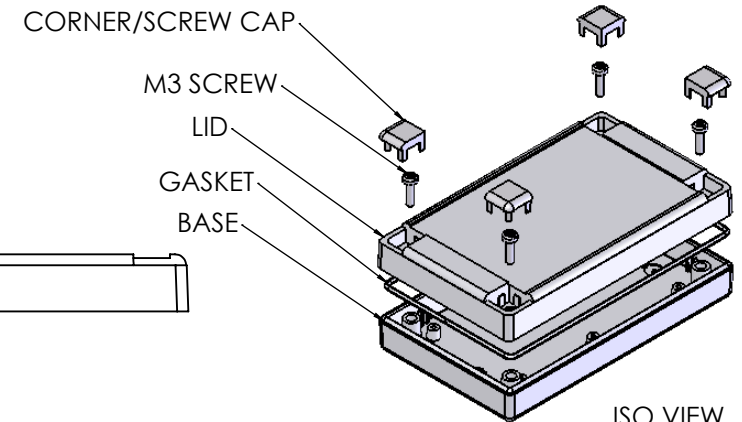
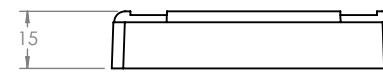
OVERALL ASSEMBLY DIMENSIONS:

EXTERNAL - 127 x 75 x 30

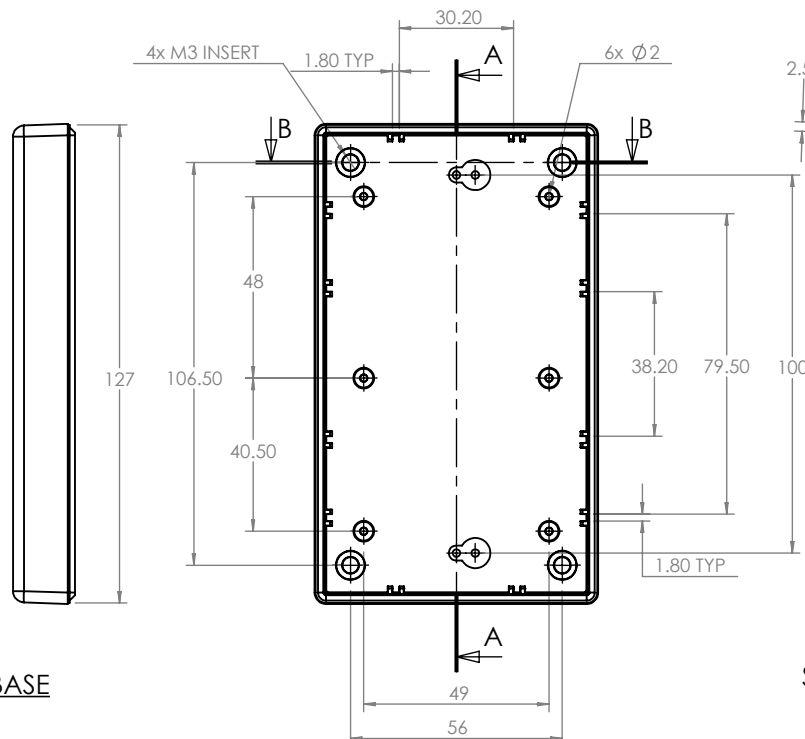
INTERNAL - 122 x 70 x 23.5



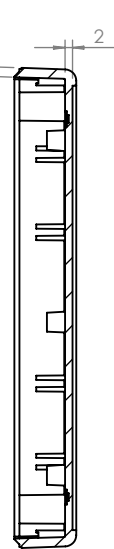
SECTION B-B



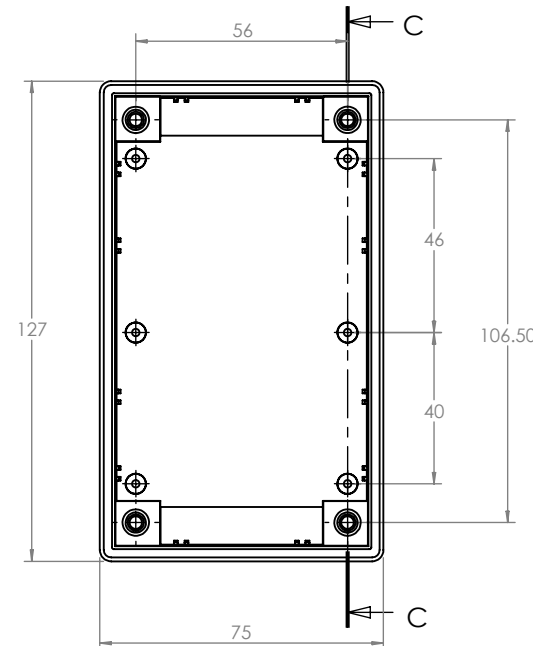
ISO VIEW
1:3



BASE

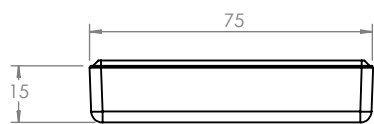


SECTION A-A



SECTION C-C

LID



CAMDENBOSS
ELECTRONICS & ENCLOSURES

JAMES CARTER RD, MILDENHALL, SUFFOLK. IP28 7DE
TEL: 01638 716101 FAX: 01638 716554
EMAIL: Sales@CamdenBoss.com
WEB: www.CamdenBoss.com

UNLESS OTHERWISE SPECIFIED:
DIMENSIONS ARE IN MILLIMETERS

GENERAL TOLERANCES +/- 0.2

FINISH:
LIGHT SPARK

MATERIAL:
UL - 94 HB ABS

PROJECTION.

DO NOT SCALE DRAWING	REVISION.	○
TITLE: ASSEMBLY DRG FOR RECESS DESIGNER CASE SIZE 4 GREY		
DWG NO.	CRDCGG004	A4
SCALE: 1:2	SHEET 1 OF 1	

	NAME	SIGNED	DATE
DRAWN	IAN PAGANO	I.P.	24/09/13
CHKD	-	-	-