

Main

| | |
|---------------------------|----------------------------------------|
| Commercial Status | Commercialised |
| Range of product | Harmony 9001K |
| Product or component type | Contact block with protected terminals |
| Device short name | 9001K |

Complementary

| | |
|----------------------------------------------------------|------------------------------------------------------------------------------------------------------------------------------------------------------------------------------------------------------------------------------------------------------|
| Product weight | 0.027 kg |
| Contacts operation | Standard |
| Positive opening | Without |
| Connections - terminals | Screw clamp terminals (1 x 0.22...2 x 1.5 mm ²) conforming to IEC 60947-1 |
| Tightening torque | 0.8 N.m conforming to IEC 60947-1 |
| Shape of screw head | Cross slotted head |
| Contacts material | Silver alloy contacts |
| Short circuit protection | 10 A cartridge fuse conforming to IEC 60947-5-1 |
| [I _{th}] conventional free air thermal current | 10 A |
| [U _i] rated insulation voltage | 250 V (degree of pollution: 3) conforming to IEC 60947-1 |
| [U _{imp}] rated impulse withstand voltage | 2.5 kV conforming to IEC 60947-1 |
| [I _e] rated operational current | 0.55 A at 125 V DC-13, A600-Q600 conforming to NEMA 3 A at 240 V AC-15, A600-Q600 conforming to NEMA |
| [I _{cm}] rated short-circuit making capacity | <= 0.55 kA at 125 V DC-13 <= 0.27 kA at 250 V DC-13, 7200 VA <= 0.1 kA at 600 V DC-13, 7200 VA <= 60 kA at 120 V AC-15, 7200 VA <= 30 kA at 240 V AC-15, 7200 VA <= 15 kA at 480 V AC-15, 7200 VA <= 12 kA at 600 V AC-15, 7200 VA |
| Rated breaking capacity | <= 1.5 kA at 480 V AC-15, 720 VA <= 1.2 kA at 600 V AC-15, 720 VA <= 0.55 kA at 125 V DC-13 <= 0.27 kA at 250 V DC-13 <= 0.1 kA at 600 V DC-13 <= 6 kA at 120 V AC-15, 720 VA <= 3 kA at 240 V AC-15, 720 VA |

Environment

| | |
|--------------------------------------------|----------------------------------|
| Protective treatment | TC |
| Ambient air temperature for storage | -40...70 °C |
| Ambient air temperature for operation | -25...70 °C |
| Class of protection against electric shock | Class II conforming to IEC 61140 |
| IP degree of protection | IP20 conforming to IEC 60529 |

| | |
|------------------------|----------------------------------------------------------------------------------------------------------------|
| Standards | CSA C22-2 No 14 EN/IEC 60947-1 EN/IEC 60947-5-1 EN/IEC 60947-5-4 JIS C 4520 JIS C 852 UL 508 |
| Product certifications | NEMA UL 508 |
| Vibration resistance | 7 gn (f = 2...500 Hz) conforming to IEC 60068-2-6 |
| Shock resistance | 50 gn conforming to IEC 60068-2-27 |

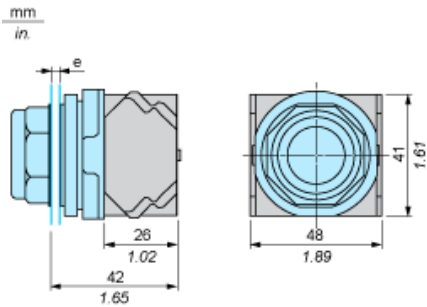
RoHS compliance

| | |
|--------------------------------|-----------|
| RoHS EUR status | Compliant |
| RoHS EUR conformity date(YYWW) | 0921 |

Contractual warranty

| | |
|--------|-----------|
| Period | 18 months |
|--------|-----------|

Dimensions



e panel thickness: 1 to 6 mm / 0.04 to 0.24 in.

Contact Block Mounting Position

Top and Rear views



- (1) It is possible to mount up to 3 levels of contacts blocks (maximum of 6 contacts blocks)
- (2) Operator
- (3) Locating notch
- (4) Side 1
- (5) Side 2