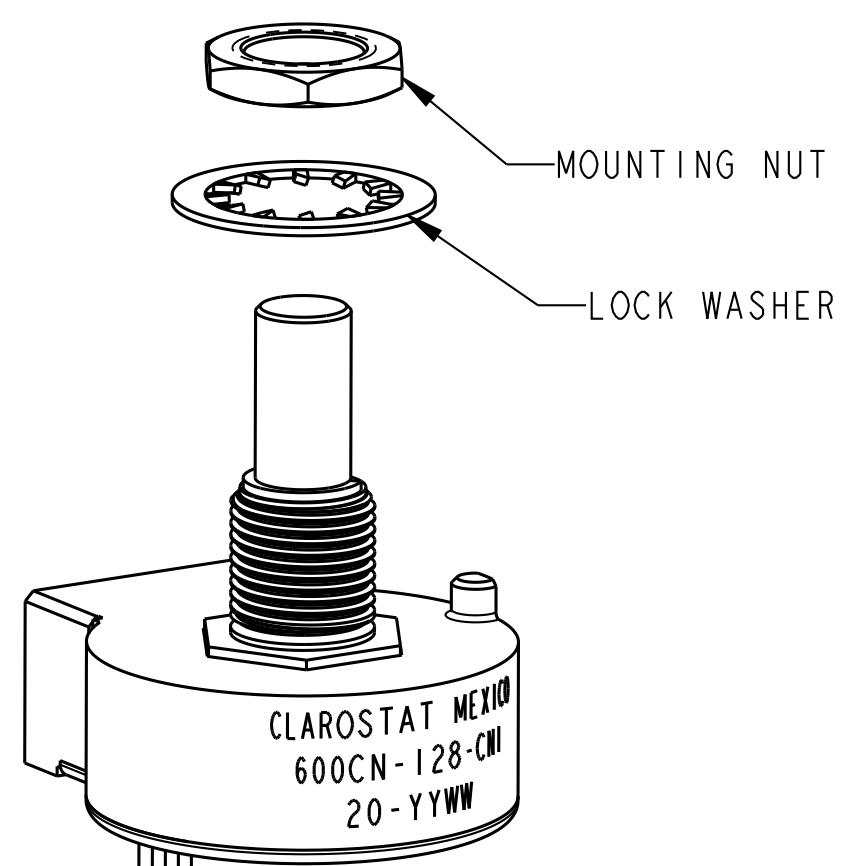
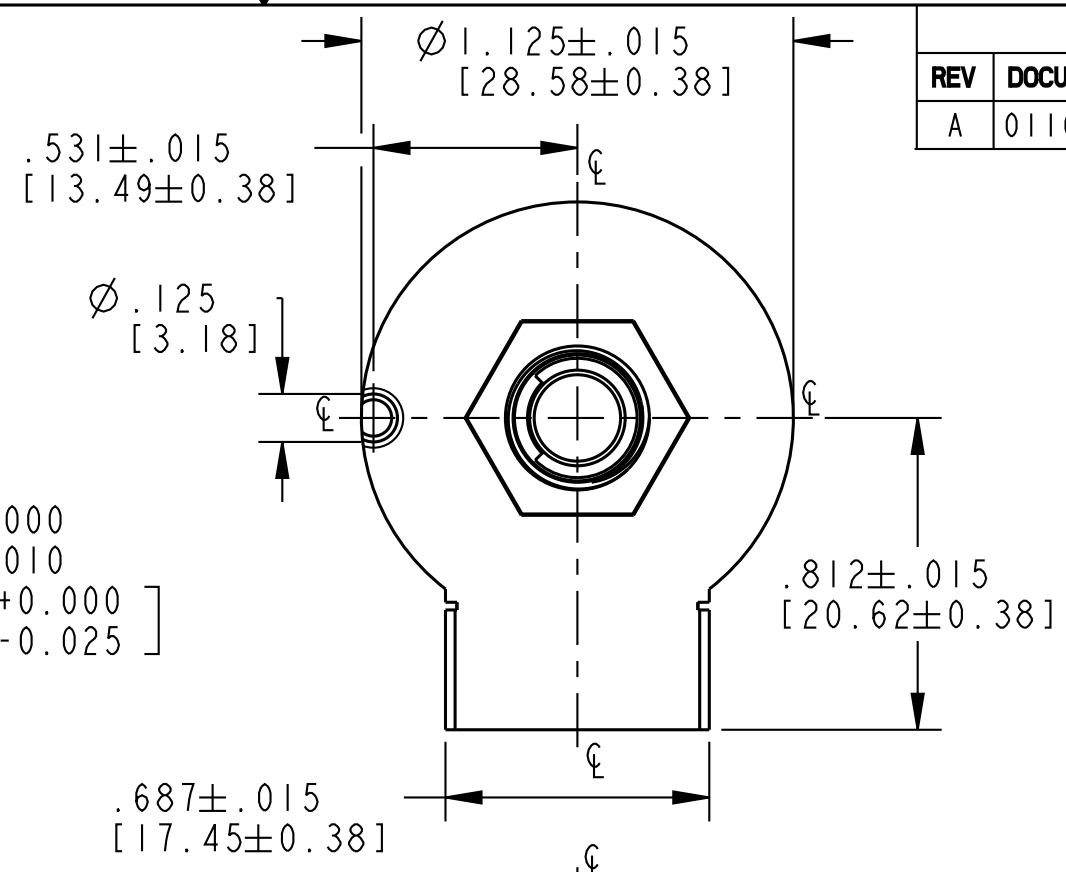
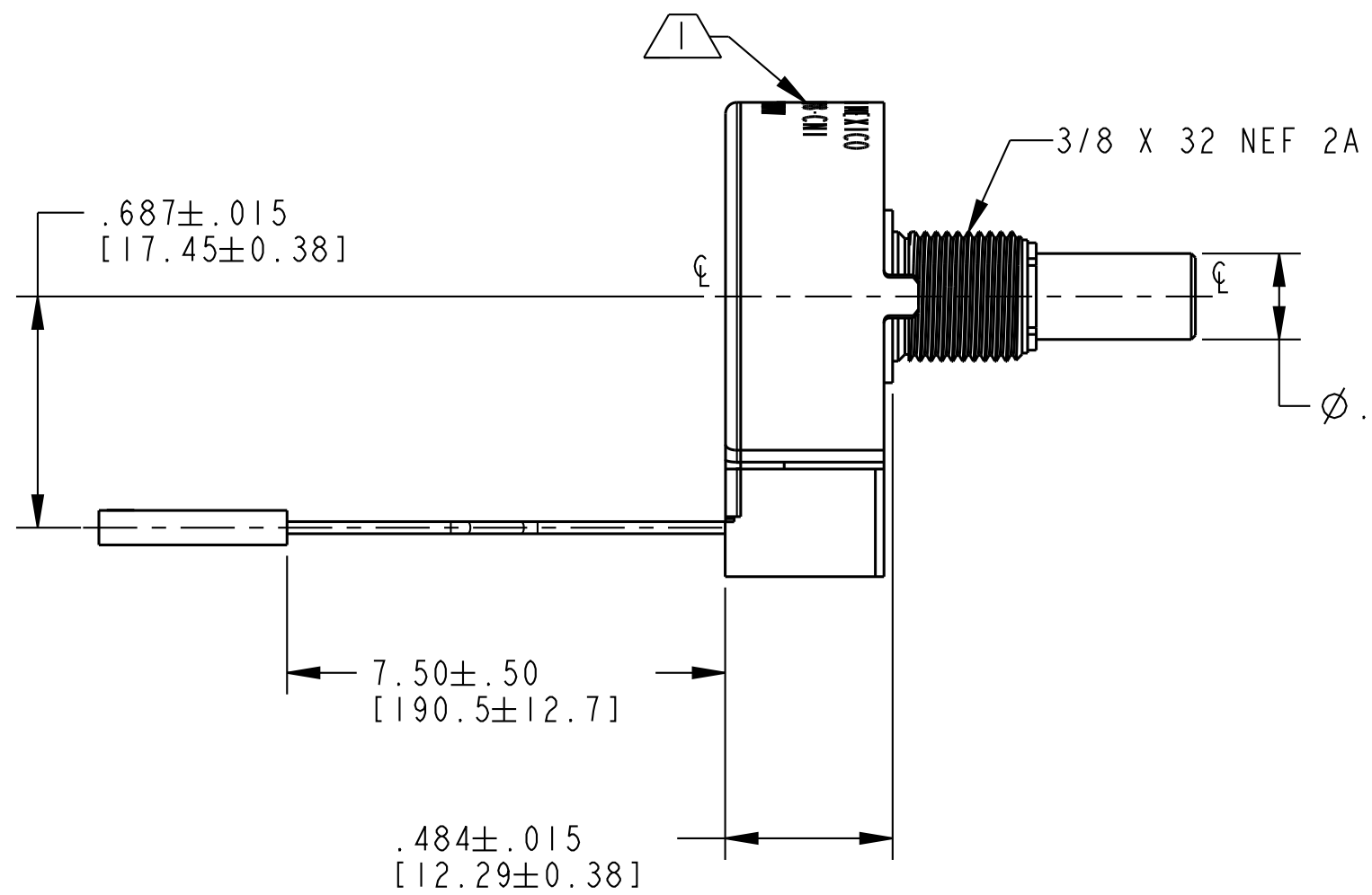
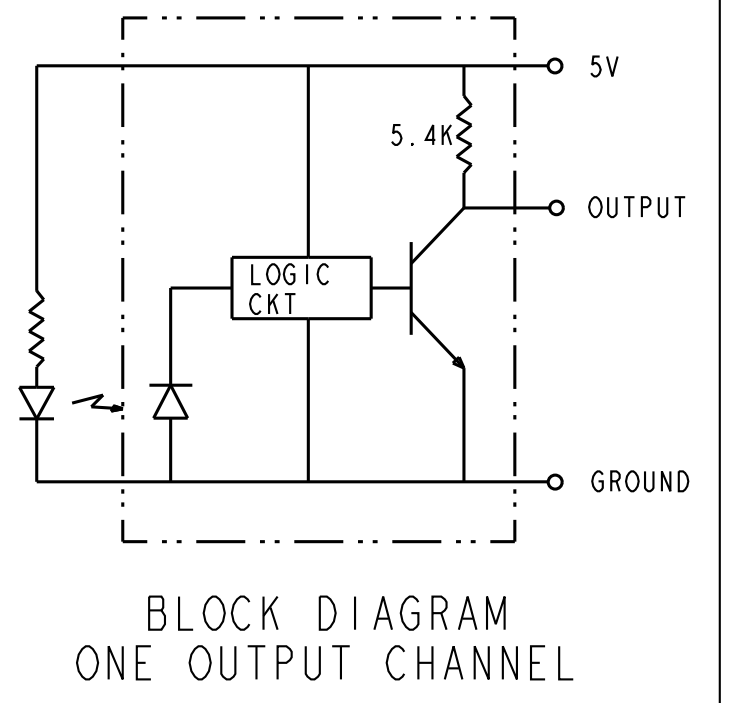
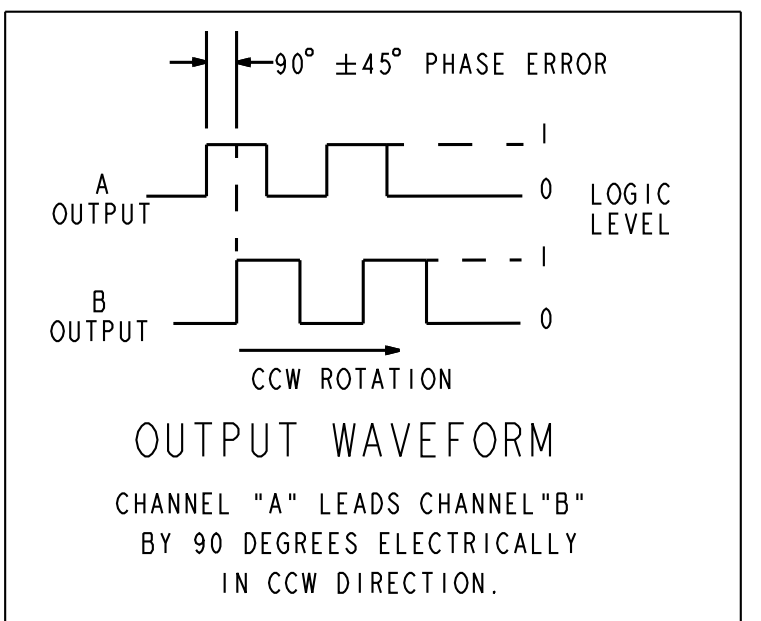
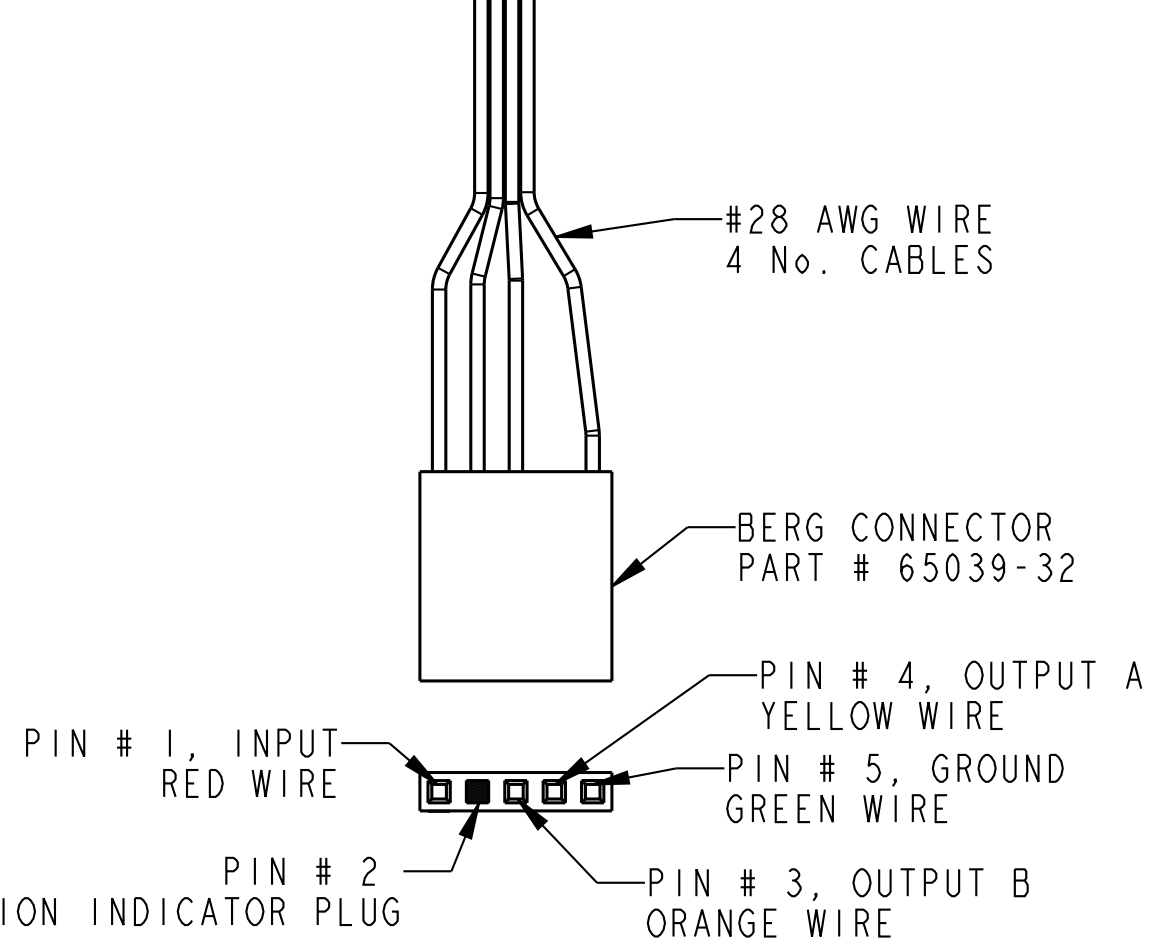
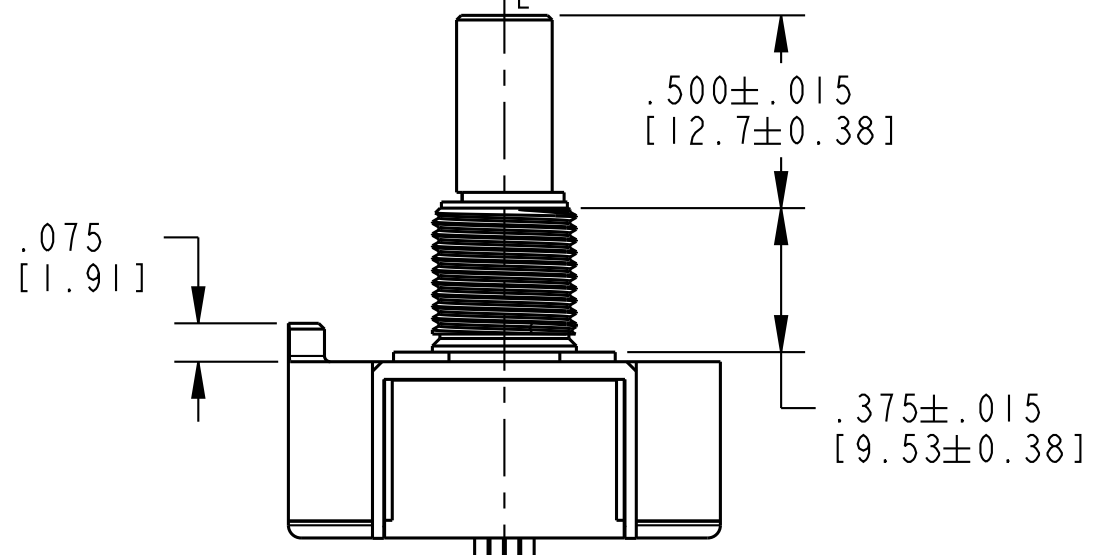


PART NUMBER  
600-128-CN1

REVISION HISTORY					
REV	DOCUMENT	DESCRIPTION	CHGD BY	DATE	APPROVED
A	0110438	INITIAL RELEASE	BM	2014-05-14	M. MIKE



ISOMETRIC VIEW



CHARACTERISTICS	PARAMETER
<b>ELECTRICAL CHARACTERISTICS</b>	
ELECTRICAL TRAVEL	360° CONTINUOUS
INPUT VOLTAGE	5 VDC ±5% @ 30mA MAX. PLUS EXTERNAL REQUIREMENTS
OUTPUT VOLTAGE HI (1)	2.4 VDC MIN. WITH 10KΩ LOAD TO GROUND
OUTPUT VOLTAGE LO (0)	0.4 VDC MAX.
OUTPUT RATE	128 PULSES / REVOLUTION PER CHANNEL
SUPPLY CURRENT	30mA MAX.
CHANNELS	A & B, IN QUADRATURE, 90° ± 45°
<b>MECHANICAL SPECIFICATIONS</b>	
MECHANICAL TRAVEL	360° CONTINUOUS
OPERATING SPEED	300 RPM MAX.
OPERATING TORQUE	1.5 OZ-IN (11 mN·m) MAX.
ROTATIONAL LIFE	10 MILLION ROTATIONS, MIN.
SHAFT END PLAY	.005 IN (0.127 MM) MAX.
SHAFT AXIAL FORCE	15 LBS (66.7 N) MIN. PUSH & PULL
<b>MATERIAL</b>	
SHAFT	STAINLESS STEEL
BUSHING	NICKEL PLATED BRASS
HOUSING	THERMOPLASTIC
CABLE	4 CONDUCTOR FLAT CABLE, PVC INSULATION, 28 AWG STRANDED, TINNED COPPER
CONNECTOR	BERG P/N 65039-32
RETAINING RING	NICKEL PLATED BECU
MOUNTING NUT	NICKEL PLATED BRASS
LOCK WASHER	NICKEL PLATED PHOS BRONZE
<b>ENVIRONMENTAL SPECIFICATIONS</b>	
OPERATING TEMP	-40°F TO +149°F (-40°C TO +65°C)
STORAGE TEMP	-67°F TO +230°F (-55°C TO +110°C)
HUMIDITY	85% RH @ 104°F (40°C), 240 HRS
VIBRATION	10 TO 2000 HZ, 15G PEAK PER MIL-STD-202, METH 204, TEST C
SHOCK	100G @ 6MS PER MIL-STD-202, METH 213, COND 1

NOTES:  
 - MARK SURFACE WITH THE FOLLOWING INFORMATION (YY IS LAST 2 DIGITS OF YEAR AND WW IS WEEK NUMBER):  
 CLAROSTAT MEXICO  
 600CN-128-CN1  
 20 YYWW

- 2 - SUPPLIED WITH MOUNTING HARDWARE, PACKAGED UNASSEMBLED.
- 3 - VALUES ARE SHOWN IN STANDARD AND METRIC UNITS. METRIC UNITS ARE IN [ ]. IF CONVERSION DIFFERENCE EXISTS, THE STANDARD UNIT PREVAILS.
- 4 - WEIGHT OF SINGLE CONTROL: .046 LBS (21 gm) APPROX.

UNLESS OTHERWISE SPECIFIED DIMENSIONS ARE IN INCHES DECIMAL TOL NO PLACE --- ±--- 1 PLACE --- ±--- GRIDS --- ±.010 3 PLACE --- ±.005 ANGULAR TOL - ±--- CHAMFER - ±---	THIRD ANGLE PROJECTION 
MATERIAL SEE TABLE	FINISH SEE TABLE
APPLICABLE DOCUMENTS: ASME Y14.100-2004 ASME Y14.5-2009	
COMPUTER GENERATED DRAWING: PRO/ENGINEER	

<b>Honeywell</b>				
TITLE <b>ROTARY POSITION ENCODER CABLE WITH CONNECTOR VERSION</b>				
SIZE <b>C</b>	CAGE CODE -	DWG NO <b>600-128-CN1</b>	TYPE <b>I</b>	REV <b>A</b>
SCALE 2:1	REF WT: SEE NOTE	SHEET 1 of 1		
RELEASE DATE 2014-05-14	DRW: B. MOHAPATRA 2012-08-08	RDE: M. MIKE 2012-08-08	QA: -	
CHK: M. MIKE 2014-05-14		<b>HONEYWELL CONFIDENTIAL</b> THIS DOCUMENT CONTAINS PROPRIETARY INFORMATION AND SUCH INFORMATION MAY NOT BE DISCLOSED TO OTHERS FOR ANY PURPOSE, NOR USED FOR MANUFACTURING PURPOSES WITHOUT WRITTEN PERMISSION FROM HONEYWELL		