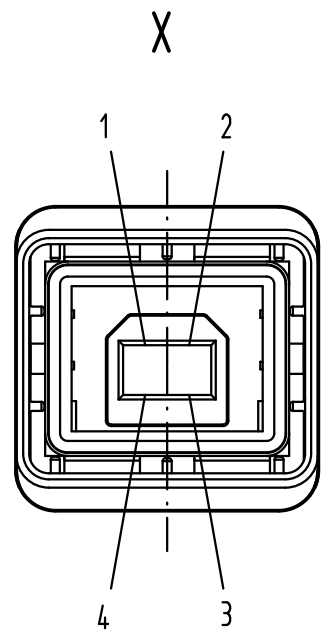
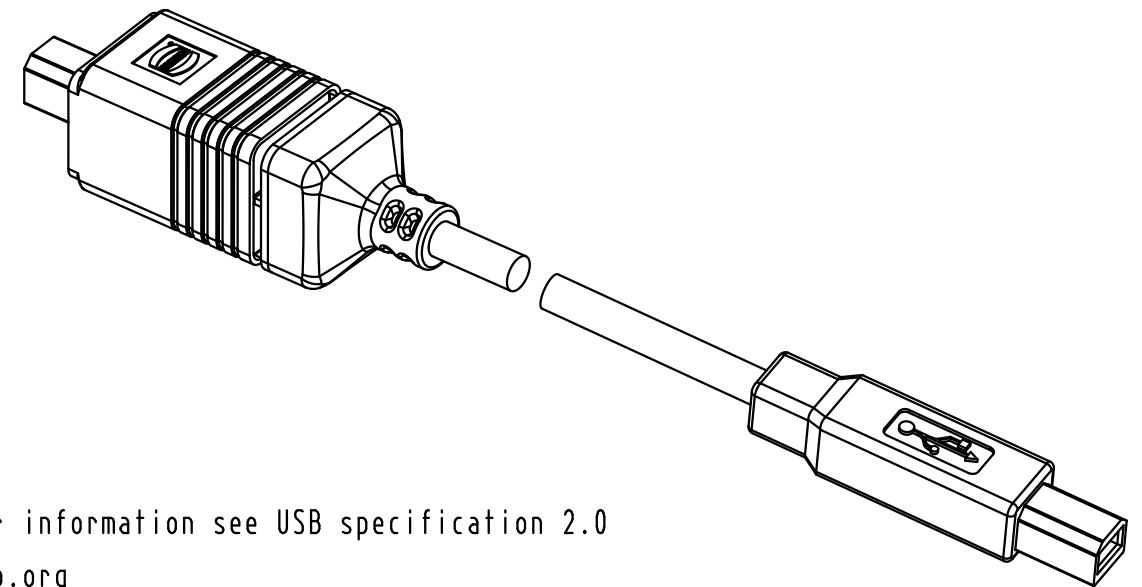
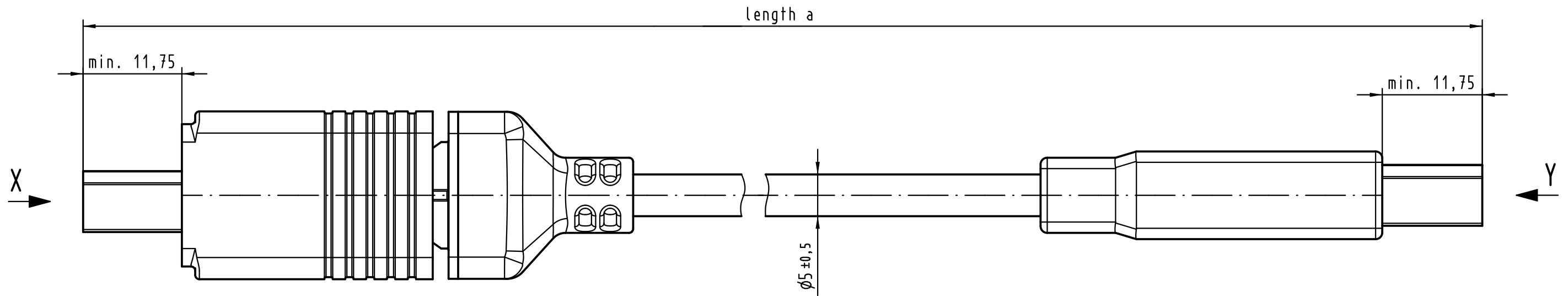
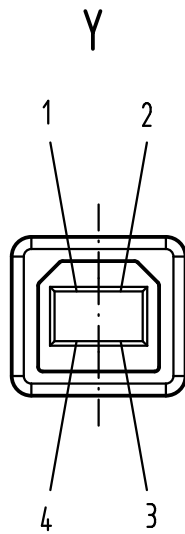


Alle Rechte vorbehalten/ All rights reserved



loading-plan

| | | |
|-------|---|---|
| V Bus | 1 | 1 |
| D- | 2 | 2 |
| D+ | 3 | 3 |
| GND | 4 | 4 |



further information see USB specification 2.0
www.usb.org

| no. | part-no. | description | length a [meter] |
|-----|----------------|----------------------------------|------------------|
| 6 | 09 45 145 3915 | USB 2.0, Type B, PushPull - IP20 | 5,0 m |
| 5 | 09 45 145 3914 | USB 2.0, Type B, PushPull - IP20 | 3,0 m |
| 4 | 09 45 145 3913 | USB 2.0, Type B, PushPull - IP20 | 2,0 m |
| 3 | 09 45 145 3912 | USB 2.0, Type B, PushPull - IP20 | 1,5 m |
| 2 | 09 45 145 3911 | USB 2.0, Type B, PushPull - IP20 | 1,0 m |
| 1 | 09 45 145 3910 | USB 2.0, Type B, PushPull - IP20 | 0,5 m |

| | | | | | | | |
|-------|--|---------|----------|-------------------|--|---|---|
| | All Dimensions in mm Original Size DIN A 3 | | | Techn. Character. | | Nicht tolerierte Maßel/Free size tolerances | |
| | | | | | | 2:1 | HARTING PushPull V4 USB 2.0 Type B PushPull - IP20 |
| | | Detail. | 14.02.12 | hsv | | | |
| | | Insp. | 14.02.12 | Lue. | | | |
| | Stand. | | | | | | |
| 36366 | HARTING Electronics GmbH & Co. KG D-32339 ESPELKAMP | | | | | TB 09 45 145 391x | |
| Mod. | Dat. | Name | | | | Sub. | Blatt/ page |