

## SYNTECH

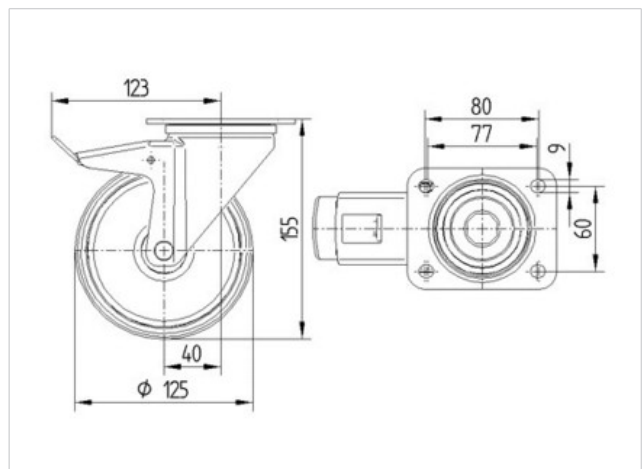
### 3477HUR125P62 white

EAN 4031582400663

Swivel castor with total lock, tail end of castor, housing made of pressed steel, bright zinc plated, blue passivated, double ball bearing swivel head, wheel axle with nut, dustguard, plate fitting. Hybrid-wheel "SYNTECH", wheel centre and tread made of Polyamide, with elastic solid rubber centre, noise reduced, roller bearing



Technical Data	
Wheel diameter	125 mm
Width of Tread	36 mm
Size of Plate	105 x 85 mm
Plate hole centres	80/77 x 60 mm
Plate hole	9 mm
Offset	40 mm
Swivel Interference	205 mm
Overall height	155 mm
Temperature	- 20 / + 60 °C
Standard	EN 12532
Weight	1.363 kg
Swivel Radius	102.5 mm
Hardness of tread	D 75 Shore
Load capacity	200 kg
Load capacity (static)	400 kg



Roll performance	+	+	+	+	+
Movement noise	+	+	+	+	+
Attrition	+	+	+	+	+
Corrosion resistance	+	+	+	+	+

# Product Information



## SYNTECH

### 3477HUR125P62 white

EAN 4031582400663

