

# Product Information



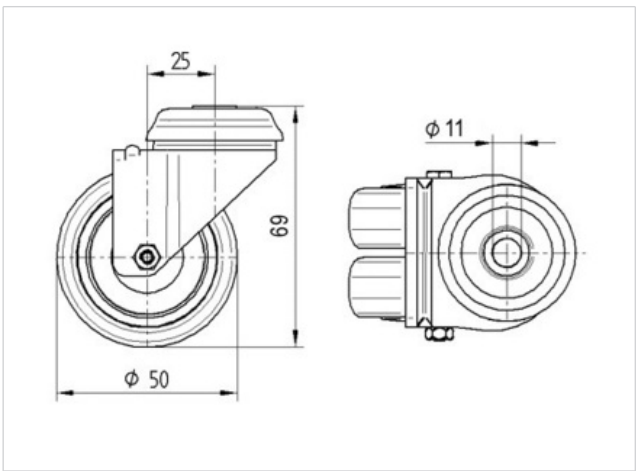
## 2970PJO050P30-11

EAN 4031582302684

Swivel castor, housing made of pressed steel, bright zinc plated, blue passivated, double ball bearing swivel head, wheel axle with nut, bolt hole. Wheel centre made of Polypropylene, Tread: TENTEprene (thermoplastic rubber), grey non-marking, plain bearing

Technical Data	
Wheel diameter	50 mm
Width of Tread	19 mm
Centre hole	11 mm
Offset	25 mm
Swivel Interference	106 mm
Overall height	69 mm
Temperature	- 20 / + 60 °C
Standard	EN 12530
Weight	0.19 kg
Swivel Radius	53 mm
Hardness of tread	Shore A 87
Load capacity	70 kg
Load capacity (static)	140 kg

Roll performance	+	+	+	+	+
Movement noise	+	+	+	+	+
Attrition	+	+	+	+	+
Corrosion resistance	+	+	+	+	+



# Product Information



**2970PJO050P30-11**

EAN 4031582302684

