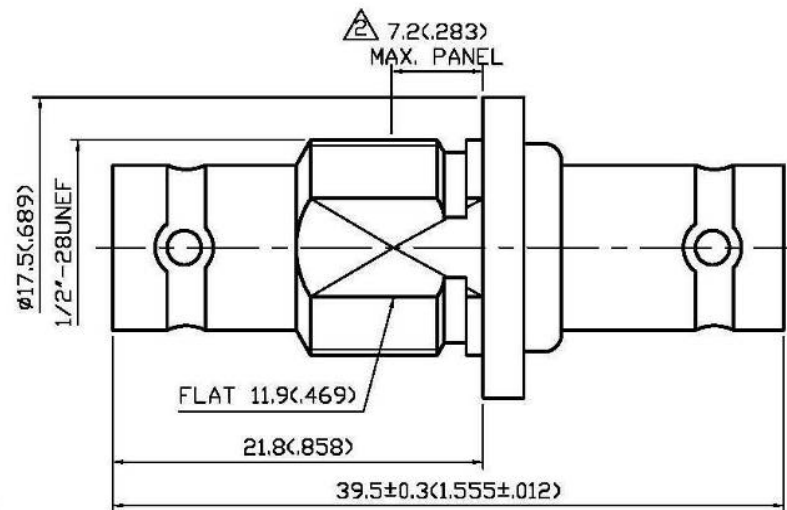
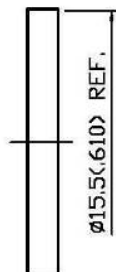
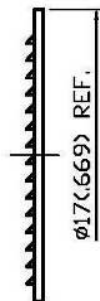
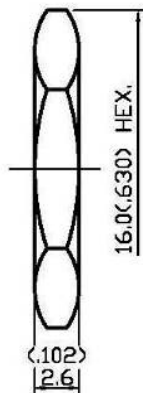
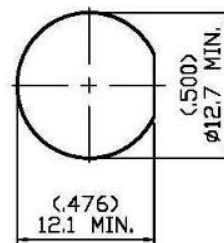


NO	DESCRIPTION	DATE
①	MODIFY 5.2	08.01.12'
②	5.4 → 7.2	09.03.12'
③	DEL PROOF VOLTAGE WORKING VOLTAGE → VOLTAGE RATING	12.28.12'
④	ADD VSWR	05.29.13'



05/30/2013



MOUNTING HOLE
SCALE 2:1

1.0 ELECTRICAL

- 1.1 FREQUENCY RANGE: DC-4 GHz
- 1.2 NOMINAL IMPEDANCE: 50 OHM
- 1.3 VOLTAGE RATING: 500 VOLTS MAX. ③
- 1.4 VSWR: 1.5 MAX. ④

2.0 MATERIALS

- 2.1 BODIES: BRASS PER JIS-C3604
- 2.2 CENTER CONTACT: BRASS PER JIS-C3804
- 2.3 INSULATION: TEFLON PER ASTM D1457 AND ASTM D1710

3.0 FINISHES AND OTHERS

- 3.1 SEE BELOW TABLE FOR DETAILS.

4.0 MECHANICAL

- 4.1 INTERFACE IN ACCORDANCE WITH: MIL-STD-348A

5.0 ENVIRONMENTAL

- 5.1 OPERATING TEMPERATURE RANGE: -65° C TO +165° C
- 5.2 CONNECTOR MUST WITHSTAND WATERPROOF LEAK TEST PRESSURE 7kg/cm² MIN. ④

9	CENTER CONTACT	BRASS	2	GOLD 30μ" MIN.
8	CHASSIS	BRASS	1	NICKEL 100μ" MIN.
7	HERMETICALLY SEALED	—	1	NONE
6	BODY	BRASS	1	NICKEL 100μ" MIN.
5	INSULATION	TEFLON	2	NONE
4	WASHER	BRASS	1	NICKEL
3	GASKET	SILICONE	1	RED
2	WASHER	STEEL	1	NICKEL
1	NUT	BRASS	1	NICKEL 100μ" MIN.
NO	DESCRIPTION	MATERIAL	Q'TY	FINISH



APPROVED

by _____ DATE: _____

DESCRIPTION		HERMETICALLY SEALED BNC BULKHEAD JACK-JACK ADAPTER							
製圖	DRAWN	TOLERANCE	品名	13-29-12	T.G.N	日期	DATE	版次	REV.
檢圖	Yoko	.X ±0.2	TITLE	\ROHS COMPLIANT (<50μ)		05.22.12'			A-4
認	CHECK	.XX ±0.1	單位	mm(In)	DWG.NO.	13-0625			
定	Ivan	.XXX ±0.05	比例	3:1					
	APPROVAL	ANGLE ±5°							
	Jenny								