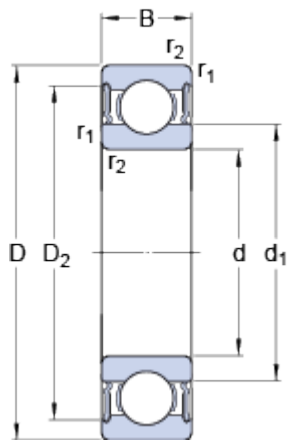


6312-2RS1

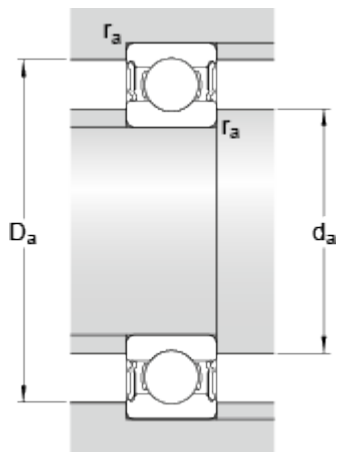
SKF Explorer

Dimensions



d		60	mm
D		130	mm
B		31	mm
d ₁	≈	81.86	mm
D ₂	≈	112.2	mm
r _{1,2}	min.	2.1	mm

Abutment dimensions



d _a	min.	72	mm
d _a	max.	81.8	mm
D _a	max.	118	mm
r _a	max.	2	mm

Calculation data

Basic dynamic load rating	C	85.2	kN
Basic static load rating	C ₀	52	kN
Fatigue load limit	P _u	2.2	kN
Limiting speed		3400	r/min
Calculation factor	k _r	0.03	
Calculation factor	f ₀	13.1	

Mass

Mass bearing		1.767	kg
--------------	--	-------	----