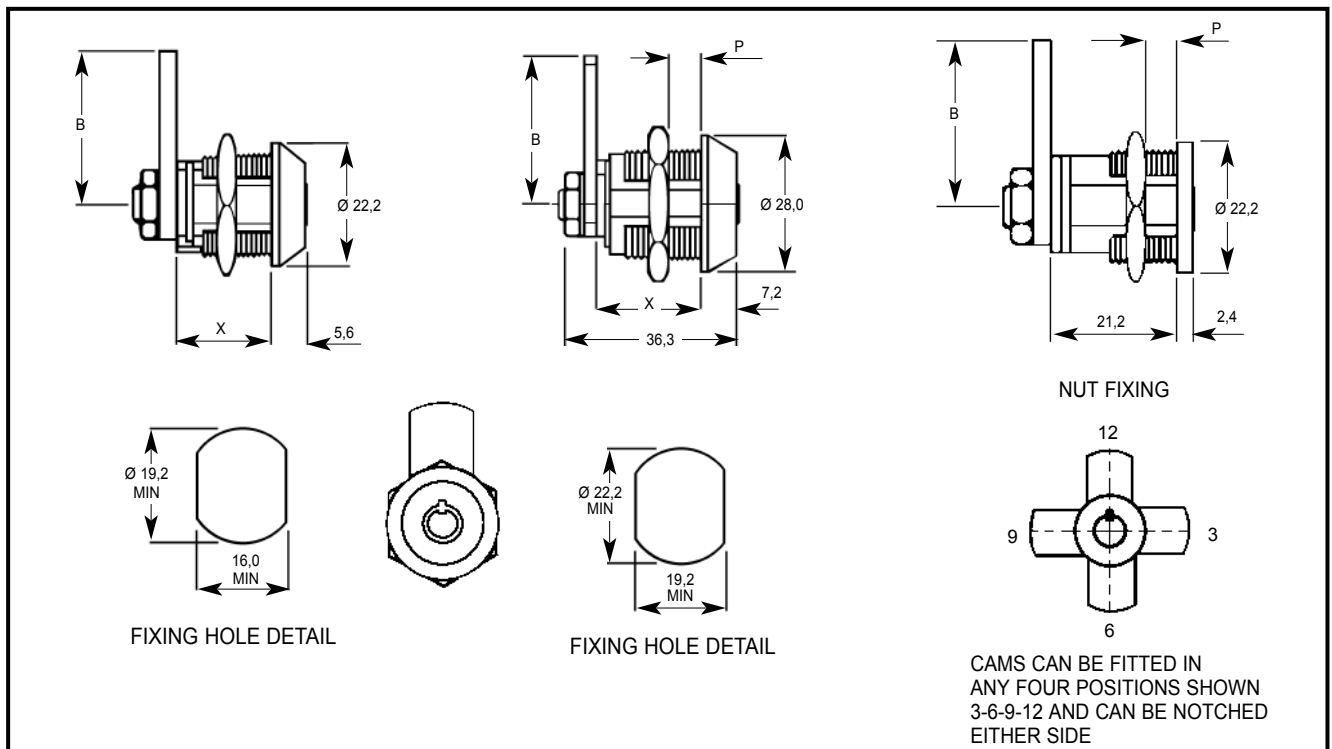


Radial Pin Tumbler Lock



4304/4314/4902/4303 — **4801** — **4322**



PRODUCT REFERENCE NUMBER	KEY SERIES	COMBINATIONS	DIM. X	NUT FIXING DIM. P (MAX)	SPRING CLIP FIXING		STANDARD MOVEMENTS						
					PANEL THICKNESS ACROSS DIAMETER (MAX)	ACROSS FLATS (MIN)	01	02	04	03	05	06	07
4902 - 0100	37	10,000	12	2	1,5	N/A							
4303 - 0100 *	28	10,000	18	7,2	3	5							
4303 - 5100 M	20	2,000	18	7,2	3	5							
4304 - 0100	28	10,000	22,7	12	7,5	5							
4304 - 5100 M	31	2,000	22,7	12	7,5	5							
4314 - 0100	28	10,000	30	21	7,5	5							
4314 - 5100 M	31	2,000	30	21	7,5	9**							
4801 - 0100	28	10,000	22,2	12	N/A	N/A							
4322 - 0100	28	10,000	21,2	7,2	6	8							
4322 - 5100 M	20	2,000	21,2	7,2	6	8							

STANDARD FINISH: BRIGHT CHROME 10 PIN MECHANISM AVAILABLE PLEASE STATE PANEL THICKNESS P WHEN ORDERING. ANTI DRILL FEATURE AVAILABLE ON REQUEST. * MASTER AVAILABLE ON REQUEST. ** (MAX)

LOWE & FLETCHER LTD

MOORCROFT DRIVE, WEDNESBURY, WEST MIDLANDS, ENGLAND WS10 7DE.
 TELEPHONE: 0121 505 0400. FAX: 0121 505 0420. E-MAIL: sales@lowe-and-fletcher.co.uk WEB SITE: www.lowe-and-fletcher.co.uk