



ENGLISH

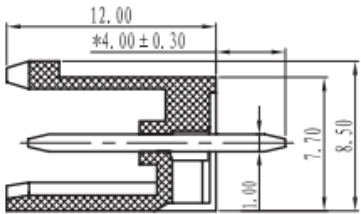
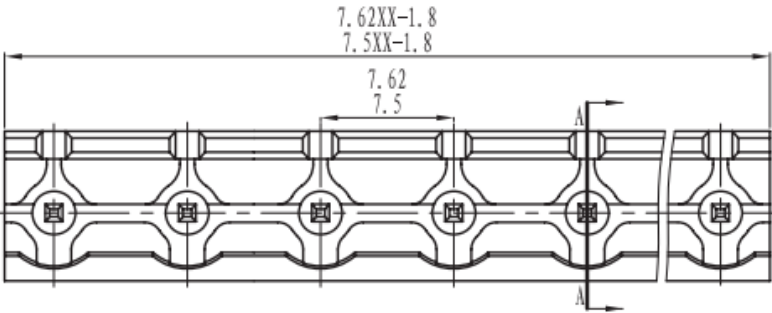
Datasheet

New 7.62mm Plug 15A 8 Way

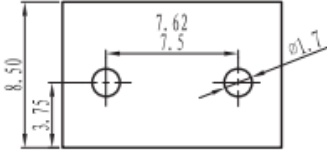
RS Stock 874-5382



Dimensions: (mm)



SECTION A-A





Specifications

- Rated Voltage: 300V 8A
- Rated Current: 15A
- Pitch: 7.5mm ,7.62mm
- Poles: 2p-24p
- Contact Resistance: 20mΩ
- Insulation Resistance: 500ΩM or more at DC500V
- Wire Range: 28~16 AWG
- Withstanding Voltage: AC 2000V/1 min
- Temperature Range: -40°C ~ +105°C
- RoHS Compliance

Materials

- Housing: PA66 / UL94V-0
- Pin Header: Brass / Tin Plated
- Nut: M2.5 Brass

Tolerances

	linear dimension					fillet	chamfer		∠ short angle sid				≡	—	□	//	⊥
	to	over 6	over 30	over 120	over 480		to	over 6	to	over 10	over 50	over 120					
variable range	to 6	to 30	to 120	to 480		all	to 6	to 10	to 10	to 50	to 120	to 120	all	to 5	to 30	to 120	to 120
tolerance	±0.1	±0.2	±0.3	±0.5	±0.9	±0.2	±0.5	±1	1°	30'	20'	10'	0.5	0.025	0.06	0.12	0.4