



Main applications

- Thermostat
- Humidity switch
- Mould cooling units
- Industrial refrigerators
- Air conditioning
- Food processing equipment

Main features

- Faceplate configurable input
- Protected by a personal code
- Configurable by a serial link
- Transmitter power supply incorporated
- Custom thermocouple linearisation available
- Internal linearisation for engineering units
- Labels provided for the more common physical units
- Sampling time and trip intervention programmable between 15 and 120msec with resolution between 2000 and 8000 steps
- Retransmission of the measured variable signal
- 3 trip points, completely configurable from the faceplate

GENERAL

Microprocessor based indicator in 72x36 format manufactured with SMT. The instruments have a lexan membrane faceplate (guaranteed to IP65) which has 3 keys, a 2, 3 / 4 digit display. The input signal can be selected from a wide range of sensors:

- Thermocouples of type J, K, R, S, T, B, E, N, L GOST, U, G, D, C
- Resistance thermometers Pt100, Pt100J (japanese standard) 2 / 3 wire
- PTC and NTC themistors
- Linear inputs 0 to 60/12 to 60mV, 0 to 20/4 to 20mA, 0 to 10/2 to 10/0 to 5/1 to 5/0 to 1/0, 2 to 1V

The selection is made using the faceplate keys and correct input contact. No external shunt or adapter is required. A digital input (24Vdc/4mA) is available for resetting, hold, flash, peak handling or releasing latch. The instruments have a maximum of 3 outputs that can be mechanical relays (5A/250V) or logic outputs (0 to 11Vdc). In alternative to output 3 a 4 to 20mA output is available (max. 150Ω) for retransmission of the measured input signal, or a digital input (24Vdc/4mA) can be provided which can be used for resetting, hold, flash, peak handling or releasing latch.

Finally, a triac can be fitted (as an alternative to the other two relay outputs) that can drive resistive loads up to a maximum of 2,5A at 220V.

The programming of the instrument is made easy by grouping the parameters in function blocks (**CFG** for the alarm hysteresis, **Inp** for the inputs, **Out** for the outputs...) and by a simplified data entry menu.

The configuration can be simplified even further using the PC programming kit made up of a connection cable and a menu guide program that runs under Windows (see data sheet cod. 80021). A configurable personal software protection code (password protection) can be used to restrict the levels of editing and displaying the configuration parameters.

TECHNICAL DATA

INPUTS

Accuracy 0,2% f.s. ±1 digit. Sampling time 120msec for temperature sensors, configurable for linear inputs down to a minimum of 15msec with reduction of the resolution to 2000 steps. Configurable decimal point position for linear inputs, for TC, RTD, PTC and NTC inputs, only one decimal digit is allowed in the maximum display range of -199.9 to 999.9 (4 digit display), -99.9 to 99.9 (3 digit display with sign), -9.9 to 9.9 (2 digit display with sign) with indication of open circuit thermocouple or RTD, PTC or NTC in open or short circuit, indication of over- and under-range for linear inputs.

TC - Thermocouple

Automatic cold junction compensation (4 digit)

J	0 to 1000°C / 32 to 1832°F
K	0 to 1300°C / 32 to 2372°F
R	0 to 1750°C / 32 to 3182°F
S	0 to 1750°C / 32 to 3182°F
T	-200 to 400°C / -328 to 752°F
B	44 to 1800°C / 111 to 3272°F
E	-100 to 750°C / -148 to 1382°F
N	0 to 1300°C / 32 to 2372°F
L-GOST	0 to 600°C / 32 to 1112°F
U	-200 to 400°C / -328 to 752°F

G 0 to 2300°C / 32 to 4172°F
D 0 to 2300°C / 32 to 4172°F
C 0 to 2300°C / 32 to 4172°F
custom -1999 to 9999

**TC - Thermocouple
(3 digit + sign)**

J 0 to 999°C / 32 to 999°F
K 0 to 999°C / 32 to 999°F
R 0 to 999°C / 32 to 999°F
S 0 to 999°C / 32 to 999°F
T -200 to 400°C / -328 to 752°F
B not available
E -100 to 750°C / -148 to 999°F
N 0 to 999°C / 32 to 999°F
L-GOST 0 to 600°C / 32 to 999°F
U -200 to 400°C / -328 to 752°F
G 0 to 999°C / 32 to 999°F
D 0 to 999°C / 32 to 999°F
C 0 to 999°C / 32 to 999°F
custom -999 to 999

(2 digit + sign)

J 0 to 99°C / 32 to 99°F
K 0 to 99°C / 32 to 99°F
R 0 to 99°C / 32 to 99°F
S 0 to 99°C / 32 to 99°F
T -99 to 99°C / -99 to 99°F
B not available
E not available
N not available
L-GOST 0 to 99°C / 32 to 99°F
U -99 to 99°C / -99 to 99°F
G not available
D not available
C not available
custom -99 to 99

RTD (2 or 3 wire)

(4 digit)
PT100 -200 to 600°C / -328 to 1112°F
JPT100 -200 to 600°C / -328 to 1112°F

(3 digit + sign)

PT100 -200 to 600°C / -328 to 999°F
JPT100 -200 to 600°C / -328 to 999°F

(2 digit + sign)

PT100 -99 to 99°C / -99 to 99°F
JPT100 -99 to 99°C / -99 to 99°F

PTC

990Ω, 25°C
(4 digit and 3 digit + sign)
-55 to 120°C / -67 to 248°F

(2 digit + sign)

-55 to 99°C / -67 to 99°F

NTC

1KΩ, 25°C
(4 digit and 3 digit + sign)
-10 to 70°C / 14 to 158°F

(2 digit + sign)

-10 to 70°C / 14 to 99°F

DC - Linear

With scale configurable within the limits:

-1999 to 9999 (4 digit),
-999 to 999 (3 digit + sign)
-99 to 99 (2 digit + sign)
0 to 60mV / 12 to 60mV
0 to 10V / 2 to 10V
0 to 5V / 1 to 5V
0 to 1V / 0,2 to 1V
0 to 20mA / 4 to 20mA
Input impedance for voltage signals
Ri > 500KΩ, for current signals Ri = 50Ω.
32-segment configurable linearisation can be used.

Potentiometer

supply 1V, >100Ω

Digital input

Ri = 5,6KΩ (24V, 4mA) isolated to 1500V
Function is configurable as alarm or memory reset, hold, flash zero, display of the peak value (max., min. or peak to peak).

OUTPUTS

Relay

with NO (NC) contacts rated at 5A, 250V at cosφ = 1.

Logic (only for Out1 and Out2)

Output, type D 11Vdc, Rout = 220Ω (6V/20mA).

Triac (for Out1, disabled Out2)

24 to 240Vac ±10%, 2A max
Snubberless, I²t = 128A²sec

A maximum of three trip points can be set as absolute, deviation or symmetrical deviation alarms.

The hysteresis of each alarm is configurable individually.

Alarm masking with exclusion on power up, with memory, delay and minimum intervention time.

The trip point may be set at any point on the scale.

Retransmission

4 to 20mA on max. 150Ω

POWER SUPPLY

11 to 27Vac/dc ±10%
0 to 62Hz, max. 3VA
protected by an internal replaceable fuse

TRANSMITTER POWER SUPPLY

2 wire, 18Vdc ±10%, max. 50mA

AMBIENT CONDITIONS

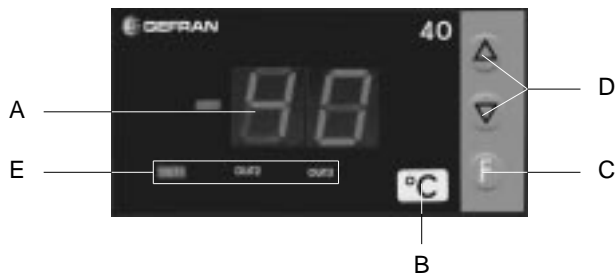
Working temperature range: 0 to 50°C
Storage temperature range: -20 to 70°C
Humidity: 20 to 85%Ur non-condensing

WEIGHT

110g. in the complete version

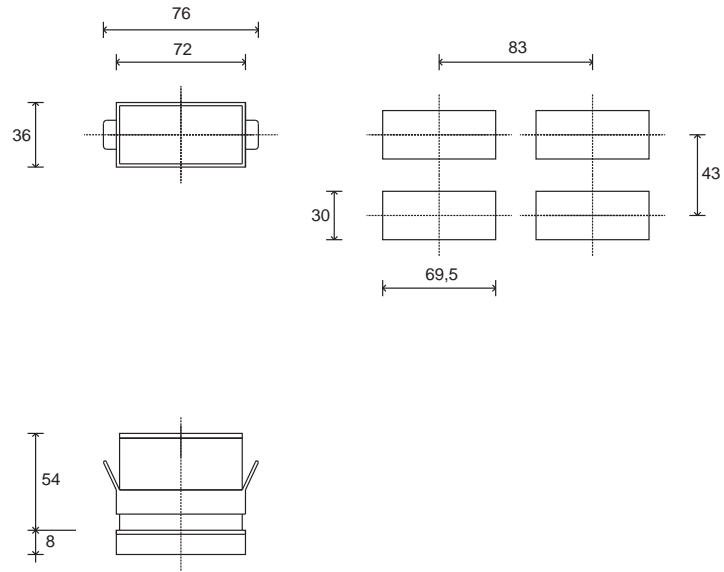
FACEPLATE DESCRIPTION

- A - PV display: indication of process variable
- B - Label for engineering units
- C - "Function" key
- D - "Raise" and "Lower" keys
- E - Indication of the states of the outputs



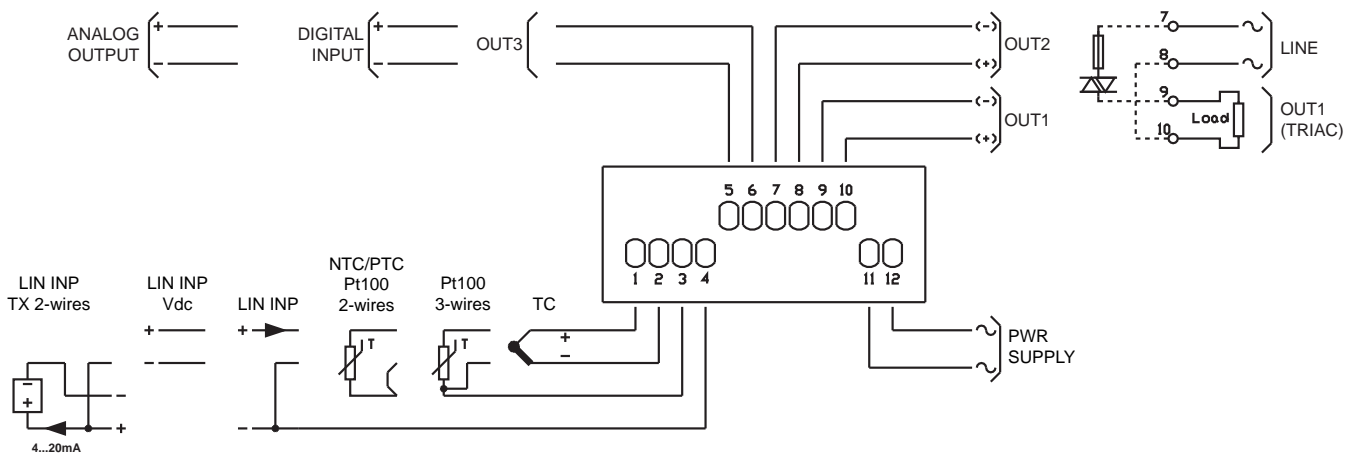
Red LED display
IP65 faceplate protection

DIMENSIONS and CUT-OUT



Dimensions: 72x36mm depth 54mm

CONNECTION DIAGRAM



For a correct installation see the warnings in the users' manual

ORDER CODE

40T 72 9

NR. DIGITS	
2 + sign	2
3 + sign	3
4	4

TRANSMITTER POWER SUPPLY	
None	0 0
For T input (alternative to RTD, PTC, NTC)	
18Vdc	2 4

POWER SUPPLY	
9	11 to 27Vac/dc

DIGITAL INPUT / RETRANSMISSION OUTPUT / OUTPUT 3	
0 0	None
0 1	Digital input
0 2	Retransmission output 4 to 20mA on max 150Ω
R 0	Relay

OUTPUT 1, OUTPUT 2	
R R	Relay, Relay
R D	Relay, Static D2
T 0	Triac, None

GEFRAN spa reserves the right to make any modification of the design or function, at any moment without prior notice



The instrument conforms to the European Directives 89/336/CEE and 73/23/CEE with reference to the generic standards:
 - EN 50082-2 (immunity in industrial environments) - EN 50081-1 (emission in residential environments) - EN 61010-1 (safety)



GEFRAN spa via Sebina, 74 - 25050 Provaglio d'Iseo (BS)
 Tel. 03098881 - fax 0309839063 - Internet: <http://www.gefran.it>

