



**Schroff**  
AdvancedTCA filler panel

Catalog Number:21591-097

- Al Profile or Stainless steel
  - With or without air buffer
- Stainless steel



All front panels: Item 1 Al extrusion with air baffle; Item 2 Al extrusion for rear I/O with stiffening plate; Item 3 Al extrusion

Description

**Delivery Includes:** Kit

Version with CuBe gasket available on

**Note:** request

**Delivery Comprises:**

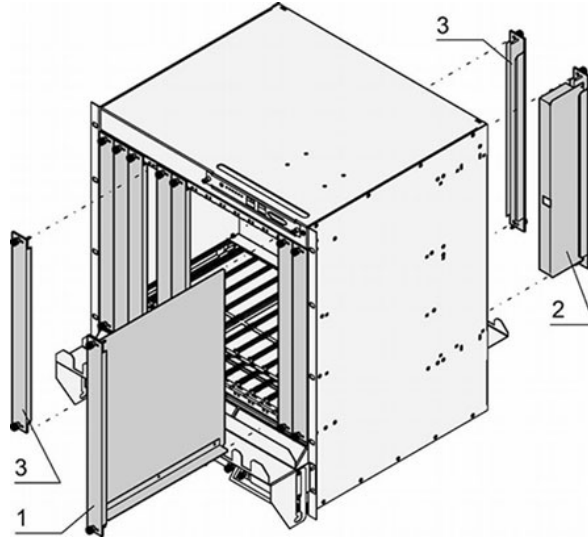
Item	Quantity	Description
1	1	Filler panel

Technical Data

AdvancedTCA filler panel

Catalog Number	21591-097
Height U	8.0
Width HP	6.0
w mm	28.95
Item	3
Description	Front panel, stainless steel, with mesh gasket

Other Views



All front panels: Item 1 Al extrusion with air baffle; Item 2 Al extrusion for rear I/O with stiffening plate; Item 3 Al extrusion

